

TOGGLE CLAMPS,  
MANUAL AND  
PNEUMATIC



## WE GENERATE EXCITEMENT.

Since the foundation of the company in 1890 until today the goal has remained the same: the highest quality in products and services. Nevertheless, the circumstances, tasks and challenges have changed, of course. By focussing on our core areas of expertise, we have long set new standards for innovative clamping technology - driven by our own development, the greatest possible flexibility and passion for individual solutions.

All this is only possible with committed and contented employees. Respectful interaction with others, personal development and measures for the wellbeing of each individual are therefore values that matter to us.



Company Management:  
Wolfgang Balle, Johannes Maier (CEO), Jürgen Förster

## OUR COMPANY HISTORY

- 1890 Company founded as a lock manufacturer by Andreas Maier.
- 1920 Product range extended to include spanners.
- 1928 Production line assembly of FELLBACH LOCKS.
- 1951 Introduces clamping elements and diversifies into workpiece and tool clamping technology.
- 1965 Toggle clamps extend the AMF product range, AMF catalogues are now printed in ten languages.
- 1975 Further specialisation into hydraulic clamping technology.
- 1982 Clamping and fixture systems round off AMF's clamping expertise.
- 1996 AMF team organisation in all sectors of the business, Quality management with certification to ISO 9001.
- 2001 AMF Service Guarantee for all products.
- 2004 Introduction of the ZPS zero-point clamping system.
- 2007 The magnetic clamping technology extends the AMF product range.
- 2009 Development and marketing of AMF Vacuum clamping technology.
- 2012 LOW-COST AUTOMATION gripping, clamping, marking and cleaning.
- 2014 AMF presents the most extensive product range of automation solution in zero-point clamping technology.
- 2017 Wireless sensing systems extend the expertise into Industry 4.0 and blends seamlessly into the AMF product range.

## PLEDGES THAT COUNT IN EVERYDAY LIFE

For this reason, we have a few principles that we follow by conviction and which always apply..

### INDIVIDUAL DEVELOPMENT

Even if the product you need does not even exist yet, we will find the right solution with you: from special designs to new developments, everything is possible.

### WARRANTY

If, despite our high quality standard, there is a complaint, this is dealt with quickly and unbureaucratically, even beyond the warranty period.

### HIGHEST QUALITY STANDARDS

Careful manufacturing based on tradition since 1890, and naturally with a modern quality management system according to ISO 9001 for many years.

### SHORT DELIVERY TIME

With over 5,000 articles in our warehouse, you can expect your order to be dispatched on the same day.

### COMPETENT SERVICE FROM EXPERTS

Your local retail partner or the specialists in our team will find the right solution for every task.

### MADE IN GERMANY

Our entire product range is developed and manufactured exclusively by our employees in Germany.

## VERTICAL TOGGLE CLAMPS



10 - 29

## HORIZONTAL TOGGLE CLAMPS



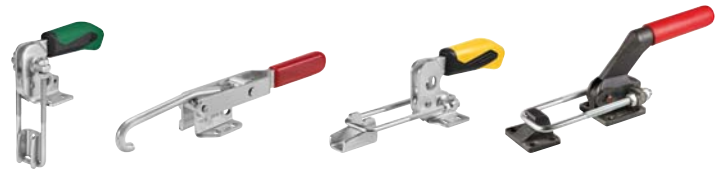
30 - 41

## PUSH-PULL TYPE TOGGLE CLAMPS



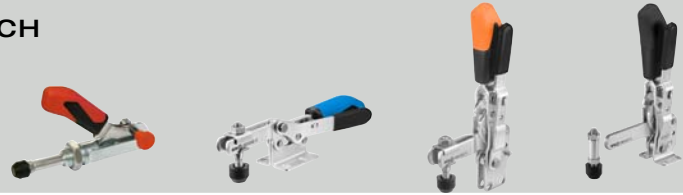
42 - 55

## HOOK TYPE TOGGLE CLAMPS



56 - 63

## TOGGLE CLAMPS WITH SAFETY LATCH



64 - 81

## STAINLESS STEEL TOGGLE CLAMPS



82 - 102

## AUTO-ADJUST TOGGLE CLAMPS



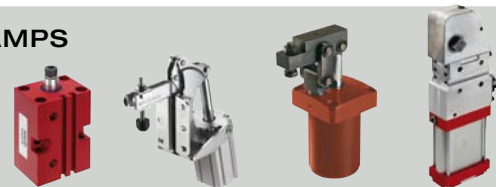
103 - 106

## BLACK TOGGLE CLAMPS FOR OPTICAL MEASUREMENT TECHNOLOGY



107 - 119

## PNEUMATIC TOGGLE CLAMPS, AUTOMATION CLAMPS PNEUMATIC SWING CLAMPS



120 - 145

## ACCESSORIES



146 - 155



**SWING CLAMP, PNEUMATIC, FLANGE-MOUNTING VERSION**

No. 6829KR/KL, page 139  
NEW SIZES!

**NEW!**

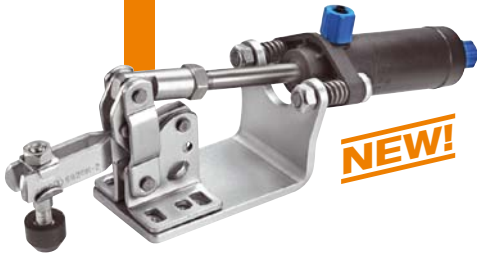
**HEAVY PNEUMATIC TOGGLE CLAMPS**

No. 6825A + 6826A, page 126 + 128



**PNEUMATIC TOGGLE CLAMP**

No. 6820P, page 123



**NEW!**

**HORIZONTAL TOGGLE CLAMP PLUS**

No. 68300NI, page 88-89  
NEW SIZES!



**NEW!**

**ADAPTER FOR GRID HOLE TABLE**

No. 6877, page 153

**SWING CLAMP, PNEUMATIC, SCREW-IN VERSION**

No. 6829ER/EL, page 142  
NEW SIZES!



**CLAMPING SCREW**

No. 68301NI, page 148  
NEW SIZES!



**THREADED FLANGE**

No. 6829GF, page 144  
NEW SIZES!



**GROOVED NUT (DIN 70852)**

No. 6829N, page 144  
NEW SIZES!

**NEW!**

**PUSH TYPE PNEUMATIC TOGGLE CLAMP**

No. 6850A, page 121



**AVAILABLE IN 6  
DIFFERENT COLOURS!**



## > ADVANTAGES OF „TOGGLE“ PRINCIPLE

- > Large and quick opening.
- > Clearing the workpieces completely for unimpeded handling of work.
- > Large power transmission. Minimum operating effort giving maximum clamping force.
- > The clamps are self-arresting, they remain locked, resisting the force produced when machining components.

## > APPLICATIONS

A wide range of uses can be found for these AMF toggle clamps owing to their favourable power to movement ratio, and their easy action. These versatile clamps can be used in the metal working industry when drilling, welding, bending, grinding, testing and fitting, as well as in the wood and plastic industry in glueing, drilling, cutting and milling jigs.

## > QUALITY FEATURES

To rationalize effectively, a design should be selected which will function for many years. AMF toggle clamps are equipped with ample dimensioned rivets which are moving in case-hardened bushes (with exception of size 0 and 1 for space reasons). All parts are galvanized prior to assembly. The tempered and galvanized clamping screw (strength class 8.8) is quickly adjustable by the T-slot nut or the special nut. Certain toggle clamps are also available in STAINLESS STEEL versions. Please see pages 82 to 102.

AMF toggle clamps are designed for ambient temperatures from -10°C to +80°C and are free of paint-wetting impairment substances.

## > DESIGN AND SERVICE LIFE

Due to the different applications the design is of importance. Besides our high quality standard types extra heavy duty toggle clamps no. 6811P and no. 6812P are available.

## > FORCES WITH HAND- AND PNEUMATIC TOGGLE CLAMPS

The selection of the correct toggle clamp size depends on the required clamping forces (refer to specification tables). The forces are shown in kN and one should distinguish between:

- Holding force F1 or F2
- Clamping force F3 or F4
- Piston force F5 (6 bar air pressure)

## > THE CLAMPING FORCE

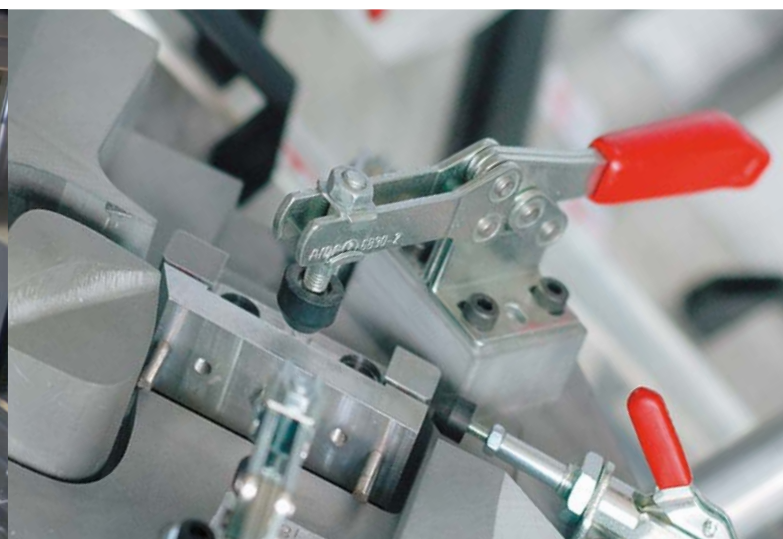
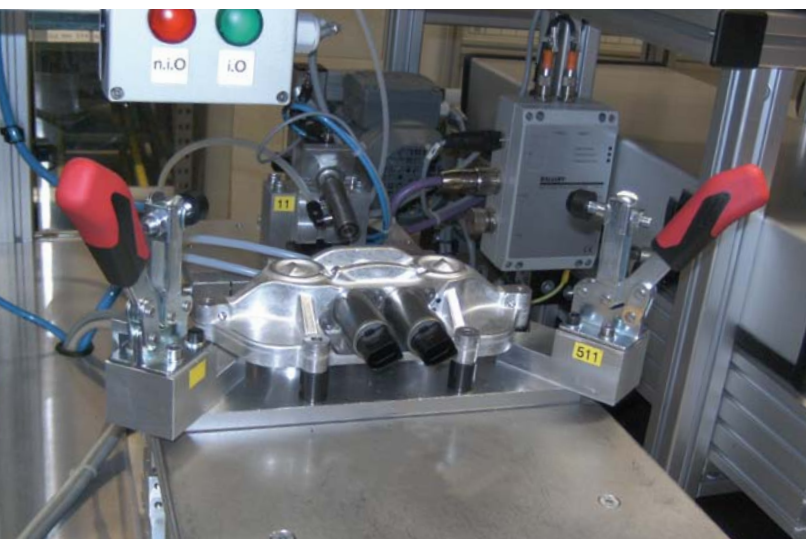
is the force applied when closing the clamp, measured between the arms and the component. As opposed to the pneumatic toggle clamps the clamping forces of manual clamps can not be correctly formulated as it is dependent on the operator.

## > THE HOLDING FORCE

is the force the closed arm transmits to the workpiece, without itself being deformed when machine forces apply. When maximum force is reached, the hinged point goes over the dead centre, thereby insuring, that the action is locked and cannot be released until such time as the handle is returned to its original position.

## > MOUNTING POSSIBILITIES

The base are offered in three versions: toggle clamps with horizontal base, vertical base (preferably used on welded construction and on webs) and toggle clamps with angel base for front mounting. With all toggle clamps the clamping screws are included in the price. Large quantities can be supplied without clamping screw if required.



## THE FEATURES OF OUR TOGGLE CLAMPS AT A GLANCE

- > Ergonomic two-component handle
- > Safety clamping piece with finger protection
- > Retainer for clamping screws.
- > Stainless steel rivets
- > Removable rubber cap

**Safety clamping piece with finger protection** and integrated stop, tamper proof.

**Retainer for clamping screws.** Suitable for later insertion of pre-assembled clamping screws.

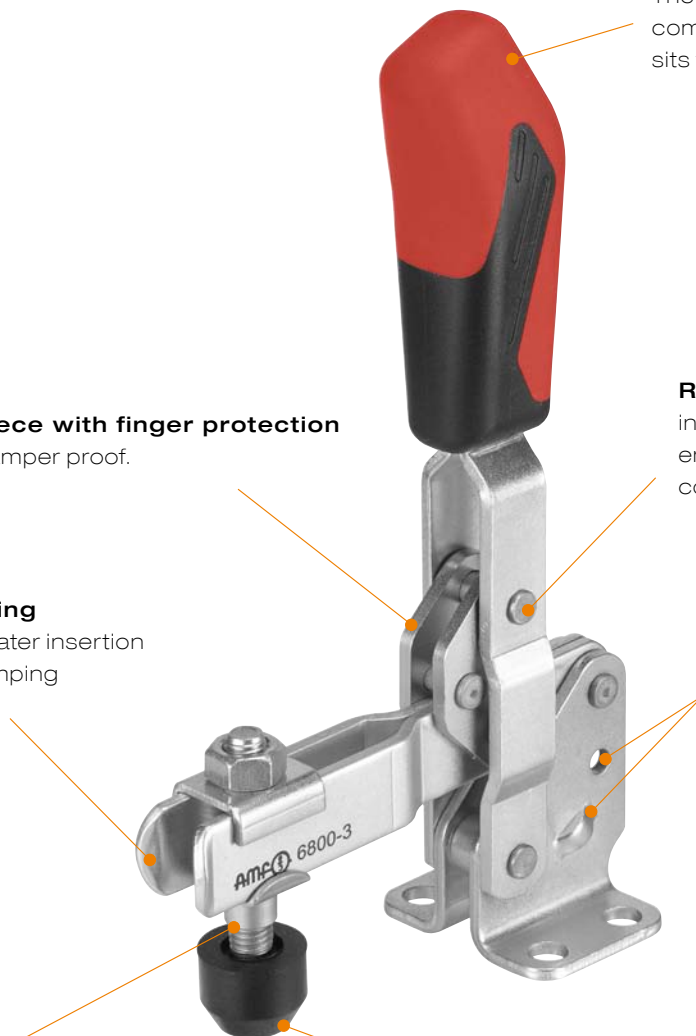
Clamping screw (8.8) can be adjusted quickly using the washer-nut carried in the clamping arm.

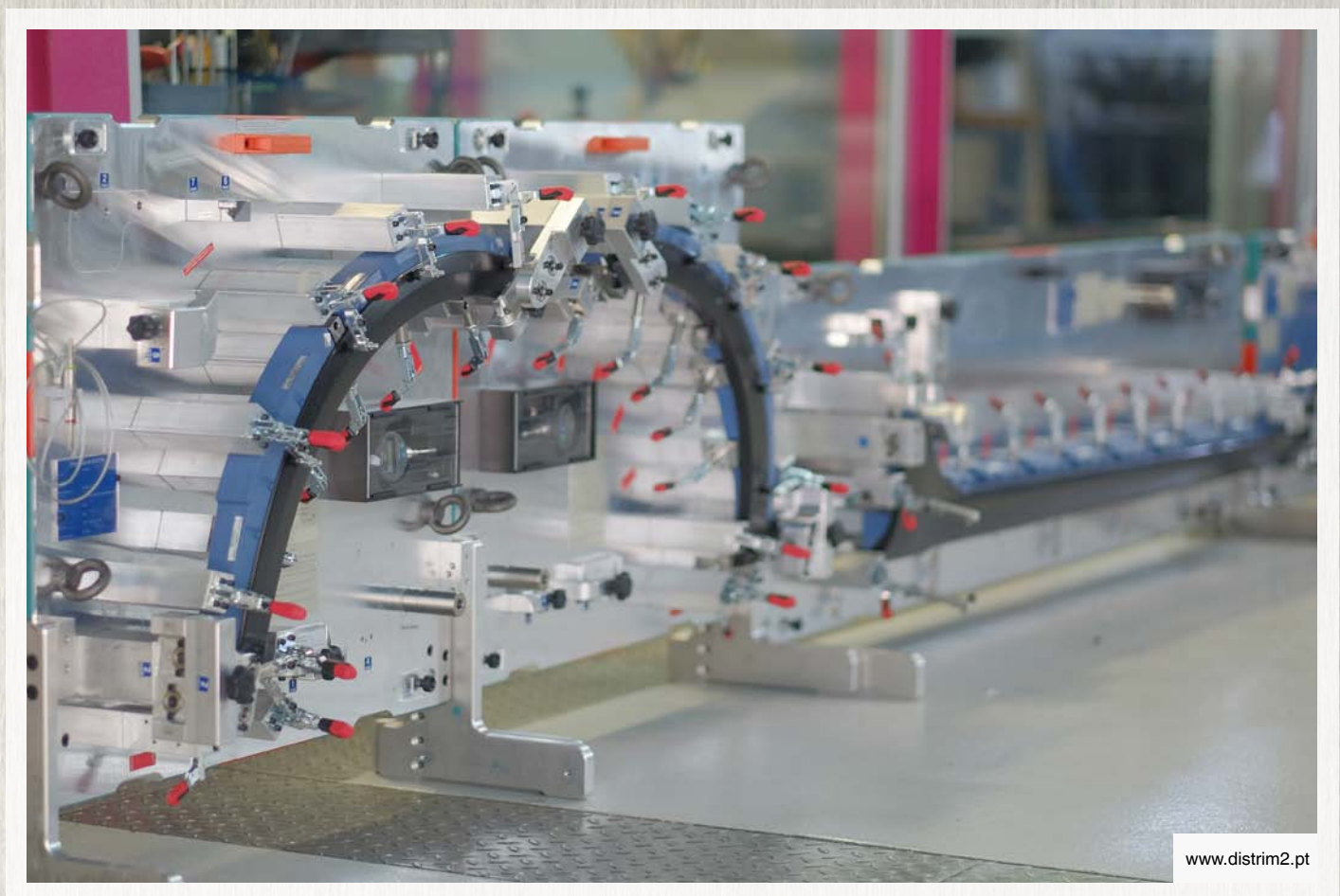
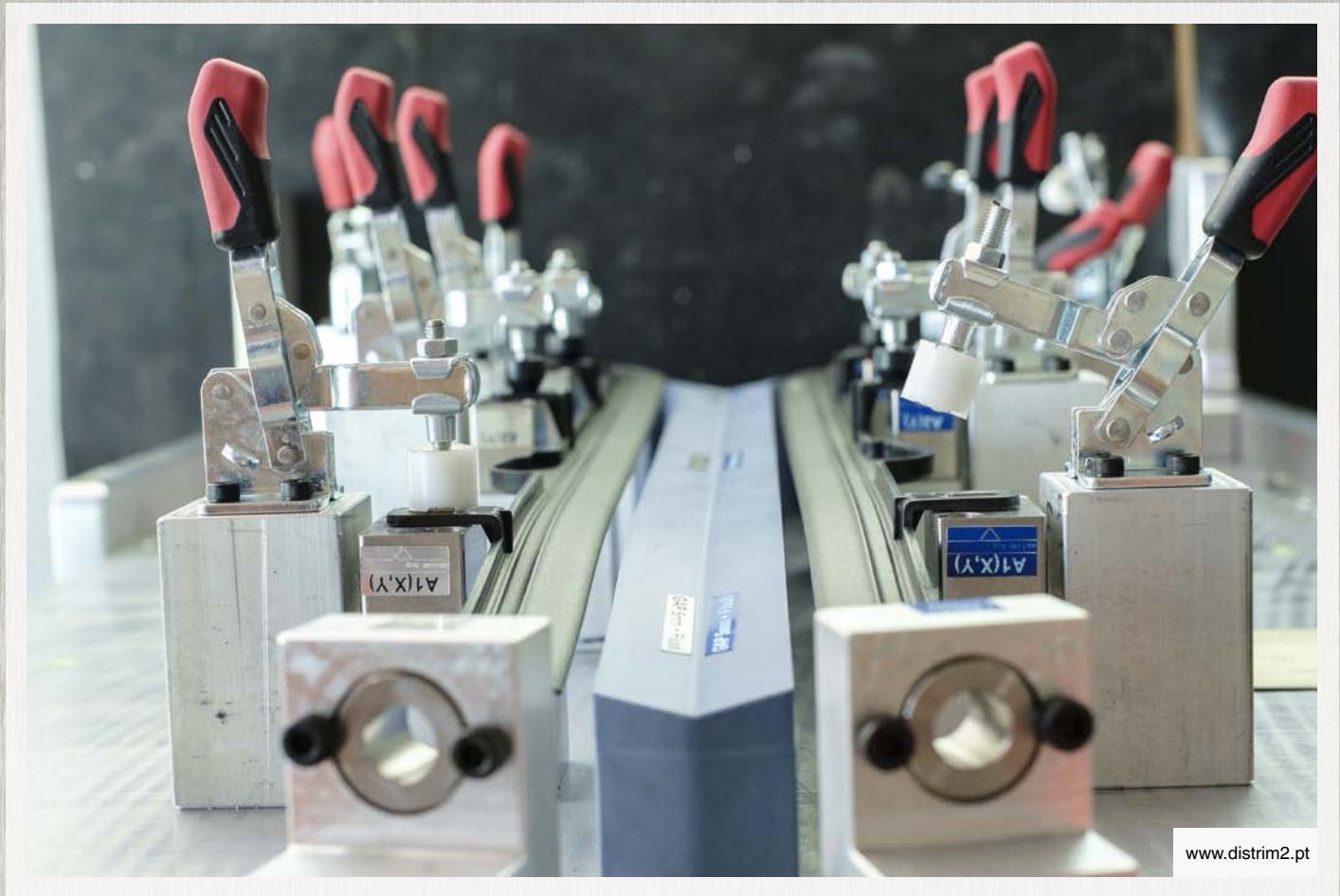
**Ergonomic 2-component handle** with high ease of use due to increased grip area. The grip area made of soft components is combined with the hard base material, which sits firmly on the clamp.

**Rivets of stainless steel** set in case-hardened steel bushes ensuring durability and provide a consistent performance.

The opening angle can be changed by pressing in a stop pin.

Clamping screw with removable rubber cap.





Subject to technical alterations.







Subject to technical alterations.



## KINEMATIC CONNECTIONS COLLISION ANALYSIS

AMF offers you native CAD files with active, kinematically parameterised sub-assemblies for the SolidWorks, Unigraphics, Inventor and Catia V5 systems.

There is no need to install any plug-ins on your system. After opening, the sub-assemblies act as if they were equipped with kinematic links in your program.

## SUB-ASSEMBLY PARTS LIST STRUCTURE

Once one had to work with rigid, inflexible overall models. Now, sub-assemblies are used whose elements can be selected individually and so are movable. The change of a stroke, for example, can in this way also be done by users of other CAD systems with a few mouse clicks.

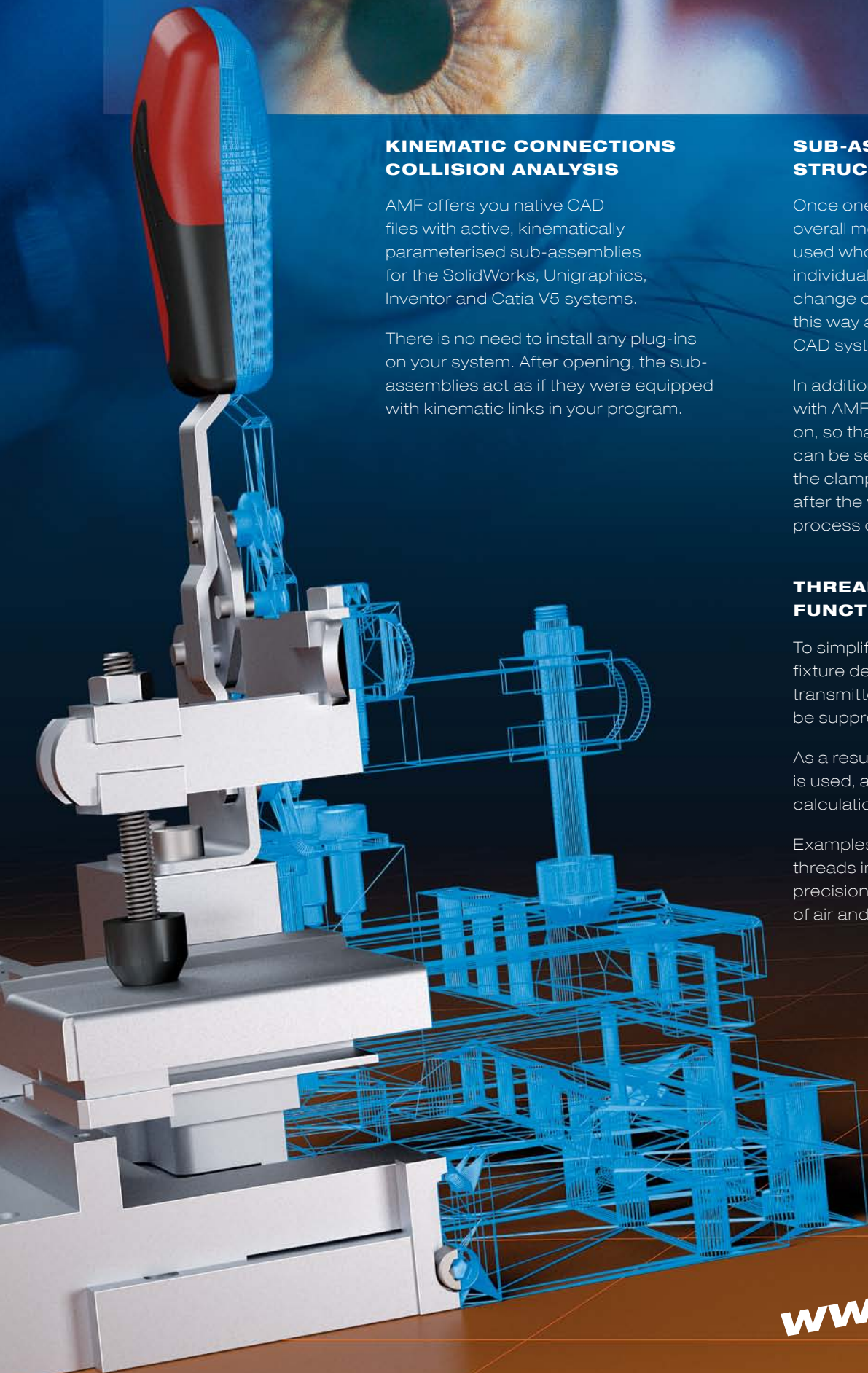
In addition, the complete structure tree with AMF order numbers is passed on, so that accessories in the system can be selected and combined with the clamping elements. As a result, after the work is done, the order process can be triggered directly.

## THREAD DEPICTION SAMPLE FUNCTIONS

To simplify and speed up the work of the fixture designer, sample functions are transmitted with the data, which can then be suppressed individually if not used.

As a result, less system performance is used, and functions such as rotating, calculations, etc. are markedly faster.

Examples for this are modelled-out threads in the volume model for more precision as well as colour marking of air and hydraulic connections.



[www.amf.de](http://www.amf.de)

## No. 6800

### Vertical toggle clamp with red handle

with open clamping arm and horizontal base.

Galvanized and passivated. Rivets made of stainless steel, which, for sizes 2 to 6, run in hardened bushings. Bearings are pre-lubricated.

Ergonomic, oil-resistant handle with large grip surface and soft components. Safety clamping piece with finger protection, lock washer for the thrust bolt at the end of the clamping arm.

Complete with tempered, galvanized clamping screw no. 6890.



Order no.	Size	F1 [kN]	F2 [kN]	Clamping screw	Weight [g]
90001	0	0,5	0,7	M 4x 25	60
90019	1	0,6	1,1	M 5x 30	105
90027	2	0,8	1,2	M 6x 35	175
90035	3	1,2	2,5	M 8x 45	410
90043	4	1,7	3,0	M 8x 65	630
90050	5	3,0	5,0	M12x 80	1480
90068	6	3,4	5,5	M12x110	2200

Also available in „STAINLESS STEEL“ version (no. 6800NI) and in matte-black version (no. 6800B)!

## No. 6800Y

### Vertical toggle clamp with yellow handle



Order no.	Size	F1 [kN]	F2 [kN]	Clamping screw	Weight [g]
557009	0	0,5	0,7	M 4x 25	60
557010	1	0,6	1,1	M 5x 30	105
557011	2	0,8	1,2	M 6x 35	175
557012	3	1,2	2,5	M 8x 45	410
557013	4	1,7	3,0	M 8x 65	630
557014	5	3,0	5,0	M12x 80	1480
557015	6	3,4	5,5	M12x110	2200

Also available in „STAINLESS STEEL“ version (no. 6800NIY).

## No. 6800J

### Vertical toggle clamp with orange handle



Order no.	Size	F1 [kN]	F2 [kN]	Clamping screw	Weight [g]
557301	0	0,5	0,7	M 4x 25	60
557302	1	0,6	1,1	M 5x 30	105
557303	2	0,8	1,2	M 6x 35	175
557304	3	1,2	2,5	M 8x 45	410
557305	4	1,7	3,0	M 8x 65	630
557306	5	3,0	5,0	M12x 80	1480
557307	6	3,4	5,5	M12x110	2200

Also available in „STAINLESS STEEL“ version (no. 6800NIJ).

## No. 6800E

### Vertical toggle clamp with blue handle



Order no.	Size	F1 [kN]	F2 [kN]	Clamping screw	Weight [g]
557615	0	0,5	0,7	M 4x 25	60
557616	1	0,6	1,1	M 5x 30	105
557617	2	0,8	1,2	M 6x 35	175
557618	3	1,2	2,5	M 8x 45	410
557619	4	1,7	3,0	M 8x 65	630
557620	5	3,0	5,0	M12x 80	1480
557621	6	3,4	5,5	M12x110	2200

Also available in „STAINLESS STEEL“ version (no. 6800NIE).

Subject to technical alterations.

## No. 6800G

### Vertical toggle clamp with green handle



Order no.	Size	F1 [kN]	F2 [kN]	Clamping screw	Weight [g]
557465	0	0,5	0,7	M 4x 25	60
557466	1	0,6	1,1	M 5x 30	105
557467	2	0,8	1,2	M 6x 35	175
557468	3	1,2	2,5	M 8x 45	410
557469	4	1,7	3,0	M 8x 65	630
557470	5	3,0	5,0	M12x 80	1480
557471	6	3,4	5,5	M12x110	2200

Also available in „STAINLESS STEEL“ version (no. 6800NIG).

## No. 6800T

### Vertical toggle clamp with black handle



Order no.	Size	F1 [kN]	F2 [kN]	Clamping screw	Weight [g]
557963	0	0,5	0,7	M 4x 25	60
557964	1	0,6	1,1	M 5x 30	105
557965	2	0,8	1,2	M 6x 35	175
557966	3	1,2	2,5	M 8x 45	410
557967	4	1,7	3,0	M 8x 65	630
557968	5	3,0	5,0	M12x 80	1480
557969	6	3,4	5,5	M12x110	2200

Also available in „STAINLESS STEEL“ version (no. 6800NIT).

### Recommendations



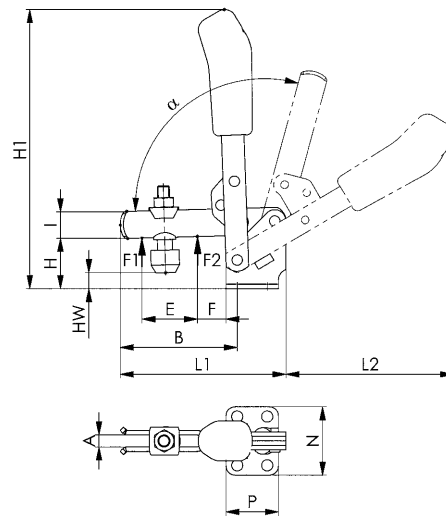
No. 6895,  
page 154



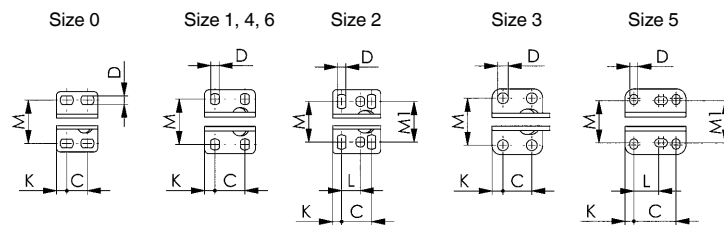
No. 6892,  
page 152



No. 6800S,  
page 64



CAD



### Dimensions:

Size	A	B	C	D	E	F	H	H1	HW min.	HW max.	I	K	L	L1	L2	M	M1	N	P	$\alpha$	$\alpha^*$
0	4	31,0	8,5-13,5	4,5	14	5,5	18,0	81,0	-1,5	3,5	8	5,5	-	49	50	23,0	-	32	22	95°	-
1	5	39,0	16,0	4,5	18	6,0	19,0	98,0	-4,0	2,0	10	5,5	-	61	58	22,5-26,0	-	34	27	95°	-
2	6	52,0	20,0	5,5	25	11,0	23,0	129,0	-3,0	4,5	12	6,0	12,5	78	80	23,0-31,0	27	43	32	105°	60°
3	8	79,0	20,0	7,5	37	19,0	33,0	186,0	2,0	11,0	18	7,5	-	112	112	32,5	-	46	35	105°	60°
4	10	101,0	32,0	8,6	54	16,0	42,5	221,0	-6,0	22,5	20	13,0	-	141	130	43,0-46,5	-	64	53	105°	60°
5	14	140,0	45,0	8,5	73	34,0	55,8	281,0	-3,0	27,5	25	9,5	26,5-31,5	195	185	45,0-50,0	45	70	65	115°	60°
6	14	165,5	50,5	13,0	89	28,0	81,0	333,0	-2,5	55,0	30	24,5	-	231	206	67,5-72,5	-	100	90	140°	60°

\* The opening angle can be changed by pressing in a stop pin.

Subject to technical alterations.

## No. 6802

### Vertical toggle clamp with red handle

with open clamping arm and vertical base.

Galvanized and passivated. Rivets made of stainless steel, which, for sizes 2 to 6, run in hardened bushings. Bearings are pre-lubricated.

Ergonomic, oil-resistant handle with large grip surface and soft components. Safety clamping piece with finger protection. Lock washer for the thrust bolt at the end of the clamping arm.

Complete with tempered, galvanized clamping screw no. 6890.



Order no.	Size	F1 [kN]	F2 [kN]	Clamping screw	Weight [g]
90217	1	0,6	1,1	M 5x 30	105
90225	2	0,8	1,2	M 6x 35	175
90233	3	1,2	2,5	M 8x 45	410
90241	4	1,7	3,0	M 8x 65	630
90258	5	3,0	5,0	M12x 80	1480
90266	6	3,4	5,5	M12x110	2200

Also available in matte-black version (no. 6802B)!

## No. 6802Y

### Vertical toggle clamp with yellow handle



Order no.	Size	F1 [kN]	F2 [kN]	Clamping screw	Weight [g]
557018	1	0,6	1,1	M 5x 30	105
557019	2	0,8	1,2	M 6x 35	175
557020	3	1,2	2,5	M 8x 45	410
557021	4	1,7	3,0	M 8x 65	630
557022	5	3,0	5,0	M12x 80	1480
557023	6	3,4	5,5	M12x110	2200

## No. 6802J

### Vertical toggle clamp with orange handle



Order no.	Size	F1 [kN]	F2 [kN]	Clamping screw	Weight [g]
557310	1	0,6	1,1	M 5x 30	105
557311	2	0,8	1,2	M 6x 35	175
557312	3	1,2	2,5	M 8x 45	410
557313	4	1,7	3,0	M 8x 65	630
557314	5	3,0	5,0	M12x 80	1480
557315	6	3,4	5,5	M12x110	2200

## No. 6802E

### Vertical toggle clamp with blue handle



Order no.	Size	F1 [kN]	F2 [kN]	Clamping screw	Weight [g]
557622	1	0,6	1,1	M 5x 30	105
557623	2	0,8	1,2	M 6x 35	175
557624	3	1,2	2,5	M 8x 45	410
557625	4	1,7	3,0	M 8x 65	630
557626	5	3,0	5,0	M12x 80	1480
557627	6	3,4	5,5	M12x110	2200

Subject to technical alterations.

## No. 6802G

### Vertical toggle clamp with green handle



Order no.	Size	F1 [kN]	F2 [kN]	Clamping screw	Weight [g]
557472	1	0,6	1,1	M 5x 30	105
557473	2	0,8	1,2	M 6x 35	175
557474	3	1,2	2,5	M 8x 45	410
557475	4	1,7	3,0	M 8x 65	630
557476	5	3,0	5,0	M12x 80	1480
557477	6	3,4	5,5	M12x110	2200

## No. 6802T

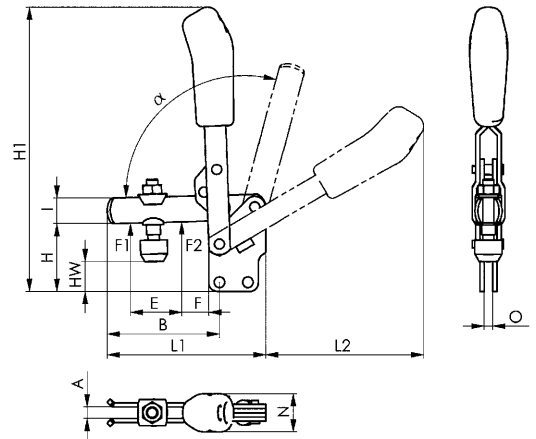
### Vertical toggle clamp with black handle



Order no.	Size	F1 [kN]	F2 [kN]	Clamping screw	Weight [g]
557970	1	0,6	1,1	M 5x 30	105
557971	2	0,8	1,2	M 6x 35	175
557972	3	1,2	2,5	M 8x 45	410
557973	4	1,7	3,0	M 8x 65	630
557974	5	3,0	5,0	M12x 80	1480
557975	6	3,4	5,5	M12x110	2200



CAD



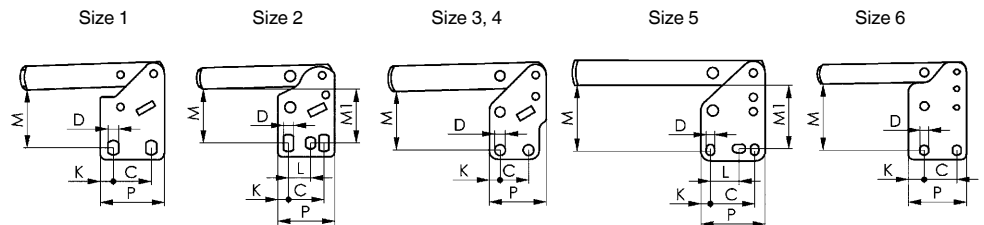
### Recommendations



No. 6891,  
page 151



No. 6802S,  
page 66



### Dimensions:

Size	A	B	C	D	E	F	H	H1	HW min.	HW max.	I	K	L	L1	L2	M	M1	N	O	P	α	α*
1	5	39	16,0	4,5	18	6	29	109,0	6,0	12,5	10	5,5	-	61	59	23,5-25,0	-	19	5	27	95°	-
2	6	52	20,0	5,5	25	11	38	144,5	11,5	19,5	12	6,0	12,5	78	80	28,5-32,0	30	21	5	32	105°	60°
3	8	79	20,0	7,5	36	19	48	200	16,5	25,0	18	7,5	-	112	114	41,0	-	27	6	40	105°	60°
4	10	101	32,0	8,6	54	16	65	244	16,5	45,5	20	13,0	-	141	130	55,5	-	35	8	53	105°	60°
5	14	140	45,0	8,5	72	35	77	301	18,0	49,0	25	9,5	26,5-31,5	195	183	66,0	64	45	10	65	115°	60°
6	14	165	50,5	13,0	89	28	117	369	33,0	90,5	30	24,5	-	231	206	102,0	-	45	10	90	140°	60°

\* The opening angle can be changed by pressing in a stop pin.

Subject to technical alterations.

## No. 6803

### Vertical toggle clamp with red handle

with open clamping arm and angle base.

Galvanized and passivated. Rivets made of stainless steel, which, for sizes 2 and 3, run in hardened bushings. Bearings are pre-lubricated.

Ergonomic, oil-resistant handle with large grip surface and soft components. Safety clamping piece with finger protection. Lock washer for the thrust bolt at the end of the clamping arm.

Complete with tempered, galvanized clamping screw no. 6890.



Order no.	Size	F1 [kN]	F2 [kN]	Clamping screw	Weight [g]
90316	1	0,8	1,1	M5x30	125
90324	2	1,0	1,2	M6x35	220
90332	3	1,4	2,5	M8x45	400
90340	4	2,0	3,0	M8x65	650

Also available in „STAINLESS STEEL“ version (no. 6803NI).

## No. 6803Y

### Vertical toggle clamp with yellow handle



Order no.	Size	F1 [kN]	F2 [kN]	Clamping screw	Weight [g]
557024	1	0,8	1,1	M5x30	125
557025	2	1,0	1,2	M6x35	220
557026	3	1,4	2,5	M8x45	400
557027	4	2,0	3,0	M8x65	650

Also available in „STAINLESS STEEL“ version (no. 6803NIY).

## No. 6803J

### Vertical toggle clamp with orange handle



Order no.	Size	F1 [kN]	F2 [kN]	Clamping screw	Weight [g]
557318	1	0,8	1,1	M5x30	125
557319	2	1,0	1,2	M6x35	220
557320	3	1,4	2,5	M8x45	400
557321	4	2,0	3,0	M8x65	650

Also available in „STAINLESS STEEL“ version (no. 6803NIJ).

## No. 6803E

### Vertical toggle clamp with blue handle



Order no.	Size	F1 [kN]	F2 [kN]	Clamping screw	Weight [g]
557630	1	0,8	1,1	M5x30	125
557631	2	1,0	1,2	M6x35	220
557632	3	1,4	2,5	M8x45	400
557633	4	2,0	3,0	M8x65	650

Also available in „STAINLESS STEEL“ version (no. 6803NIE).

Subject to technical alterations.



## No. 6803G

### Vertical toggle clamp with green handle



Order no.	Size	F1 [kN]	F2 [kN]	Clamping screw	Weight [g]
557479	1	0,8	1,1	M5x30	125
557480	2	1,0	1,2	M6x35	220
557481	3	1,4	2,5	M8x45	400
557482	4	2,0	3,0	M8x65	650

Also available in „STAINLESS STEEL“ version (no. 6803NIG).

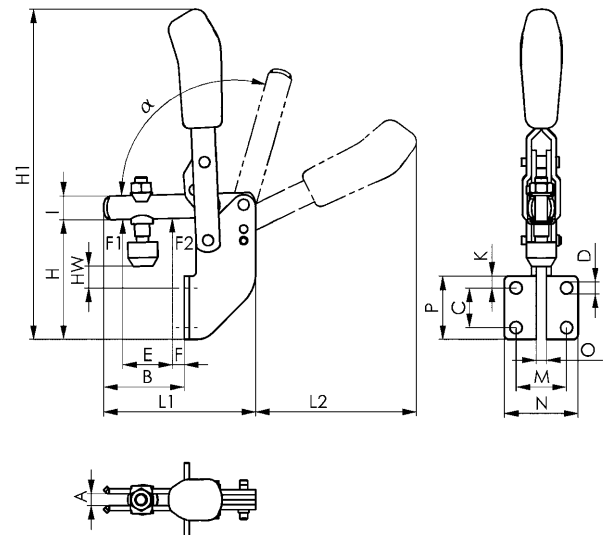
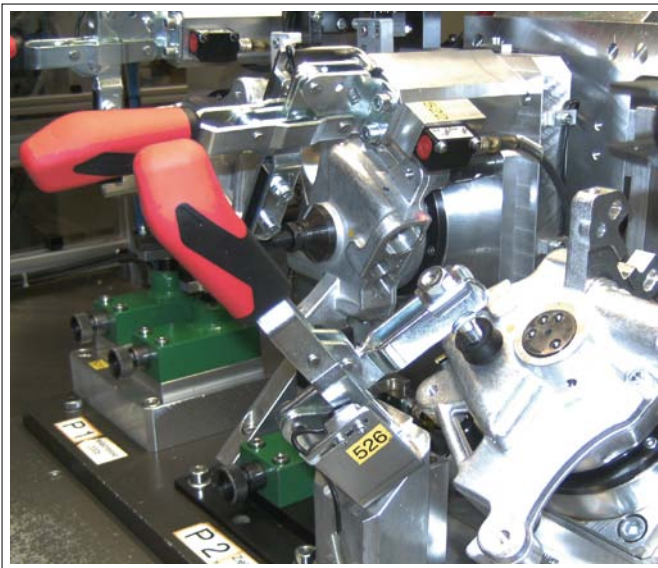
## No. 6803T

### Vertical toggle clamp with black handle



Order no.	Size	F1 [kN]	F2 [kN]	Clamping screw	Weight [g]
557977	1	0,8	1,1	M5x30	125
557978	2	1,0	1,2	M6x35	220
557979	3	1,4	2,5	M8x45	400
557980	4	2,0	3,0	M8x65	650

Also available in „STAINLESS STEEL“ version (no. 6803NIT).



#### Recommendations



No. 6895,  
page 154



No. 6896,  
page 153



No. 6803S,  
page 68

#### Dimensions:

Size	A	B	C	D	E	F	H	H1	HW min.	HW max.	I	K	L1	L2	M	N	O	P	$\alpha$	$\alpha^*$
1	5	34,5	14	4,5	18	7	45	125	2,5	9,0	10	10	61	58	20,0	30,0	5	30	98°	-
2	6	41,0	20	6,1	25	6	60	167	7,5	15,5	12	6	77	81	25,5	37,0	5	32	105°	60°
3	8	63,0	24	6,5	37	11	71	223	9,0	17,5	18	7	111	112	28,5	42,5	6	38	105°	60°
4	10	84,0	32	8,5	54	11	102	280	11,0	40,0	20	54	141	129	32,0	52,0	8	96	105°	60°

\* The opening angle can be changed by pressing in a stop pin.

Subject to technical alterations.

## No. 6804

### Vertical toggle clamp with red handle with solid arm and horizontal base.

Galvanized and passivated.

Stainless steel rivets, which run in hardened bushes. Bearings are pre-lubricated.

Ergonomic, oil-resistant handle with large grip surface and soft components. Safety clamping piece with finger protection.

Complete with tempered, galvanized clamping screw no. 6885 and sleeve to weld on.



Order no.	Size	F1 [kN]	F2 [kN]	Clamping screw	Weight [g]
90431	3	1,4	2,5	M8x45	340
90449	4	2,0	3,0	M8x65	585
90456	5	3,0	5,0	M12x80	1480
90464	6	3,5	5,5	M12x110	2200

## No. 6804Y

### Vertical toggle clamp with yellow handle



Order no.	Size	F1 [kN]	F2 [kN]	Clamping screw	Weight [g]
557028	3	1,4	2,5	M8x45	340
557029	4	2,0	3,0	M8x65	585
557030	5	3,0	5,0	M12x80	1480
557031	6	3,5	5,5	M12x110	2200

## No. 6804J

### Vertical toggle clamp with orange handle



Order no.	Size	F1 [kN]	F2 [kN]	Clamping screw	Weight [g]
557322	3	1,4	2,5	M8x45	340
557323	4	2,0	3,0	M8x65	585
557324	5	3,0	5,0	M12x80	1480
557325	6	3,5	5,5	M12x110	2200

## No. 6804E

### Vertical toggle clamp with blue handle



Order no.	Size	F1 [kN]	F2 [kN]	Clamping screw	Weight [g]
557635	3	1,4	2,5	M8x45	340
557636	4	2,0	3,0	M8x65	585
557637	5	3,0	5,0	M12x80	1480
557638	6	3,5	5,5	M12x110	2200

Subject to technical alterations.

## No. 6804G

### Vertical toggle clamp with green handle



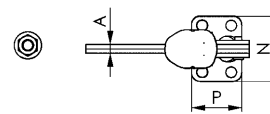
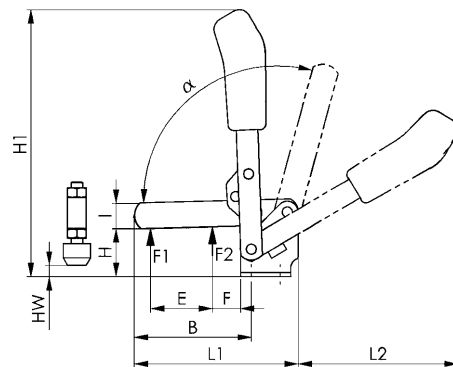
Order no.	Size	F1 [kN]	F2 [kN]	Clamping screw	Weight [g]
557483	3	1,4	2,5	M8x45	340
557484	4	2,0	3,0	M8x65	585
557485	5	3,0	5,0	M12x80	1480
557486	6	3,5	5,5	M12x110	2200

## No. 6804T

### Vertical toggle clamp with black handle

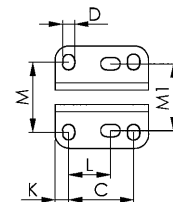
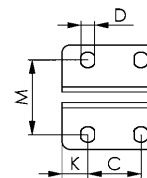


Order no.	Size	F1 [kN]	F2 [kN]	Clamping screw	Weight [g]
557981	3	1,4	2,5	M8x45	340
557982	4	2,0	3,0	M8x65	585
557983	5	3,0	5,0	M12x80	1480
557984	6	3,5	5,5	M12x110	2200



Size 3, 4, 6

Size 5



### Recommendations



No. 6886,  
page 151



No. 6805,  
page 22



No. 6804S,  
page 70

### Dimensions:

Size	A	B	C	D	E	F	H	H1	HW min.	HW max.	I	K	L	L1	L2	M	M1	N	P	$\alpha$	$\alpha^*$
3	6	81,0	20,0	7,5	43	19,5	33,5	186	0	12,0	18	7,5	-	108,5	116,5	32,5	-	46	35	105°	60°
4	8	101,0	32,0	8,6	61	17,0	42,5	221	-8	21,0	20	13,0	-	141,5	129,5	45,0	-	64	53	105°	60°
5	10	141,0	45,0	8,5	88	30,5	55,5	281	-6	25,5	25	9,5	26,5-31,5	196,5	184,0	45-50	45	70	65	115°	60°
6	10	166,5	50,5	13,0	90	20,5	81,0	331	-5	51,0	30	24,5	-	232,0	206,0	68-72	-	100	90	140°	60°

\* The opening angle can be changed by pressing in a stop pin.

Subject to technical alterations.

## No. 6806

### Vertical toggle clamp with red handle

with solid arm and vertical base.

Galvanized and passivated.

Stainless steel rivets, which run in hardened bushes. Bearings are pre-lubricated.

Ergonomic, oil-resistant handle with large grip surface and soft components. Safety clamping piece with finger protection.

Complete with tempered, galvanized clamping screw no. 6885 and sleeve to weld on.



Order no.	Size	F1 [kN]	F2 [kN]	Clamping screw	Weight [g]
90555	3	1,4	2,5	M 8x 45	400
90563	4	2,0	3,0	M 8x 65	585
90571	5	3,0	5,0	M12x 80	1480
90589	6	3,5	5,5	M12x110	2200

## No. 6806Y

### Vertical toggle clamp with yellow handle



Order no.	Size	F1 [kN]	F2 [kN]	Clamping screw	Weight [g]
557032	3	1,4	2,5	M 8x 45	400
557033	4	2,0	3,0	M 8x 65	585
557034	5	3,0	5,0	M12x 80	1480
557035	6	3,5	5,5	M12x110	2200

## No. 6806J

### Vertical toggle clamp with orange handle



Order no.	Size	F1 [kN]	F2 [kN]	Clamping screw	Weight [g]
557326	3	1,4	2,5	M 8x 45	400
557327	4	2,0	3,0	M 8x 65	585
557328	5	3,0	5,0	M12x 80	1480
557329	6	3,5	5,5	M12x110	2200

## No. 6806E

### Vertical toggle clamp with blue handle



Order no.	Size	F1 [kN]	F2 [kN]	Clamping screw	Weight [g]
557650	3	1,4	2,5	M 8x 45	400
557651	4	2,0	3,0	M 8x 65	585
557652	5	3,0	5,0	M12x 80	1480
557653	6	3,5	5,5	M12x110	2200

Subject to technical alterations.

## No. 6806G

### Vertical toggle clamp with green handle



Order no.	Size	F1 [kN]	F2 [kN]	Clamping screw	Weight [g]
557487	3	1,4	2,5	M 8x 45	400
557488	4	2,0	3,0	M 8x 65	585
557489	5	3,0	5,0	M12x 80	1480
557490	6	3,5	5,5	M12x110	2200

## No. 6806T

### Vertical toggle clamp with black handle



Order no.	Size	F1 [kN]	F2 [kN]	Clamping screw	Weight [g]
557985	3	1,4	2,5	M 8x 45	400
557986	4	2,0	3,0	M 8x 65	585
557987	5	3,0	5,0	M12x 80	1480
557988	6	3,5	5,5	M12x110	2200

### Recommendations



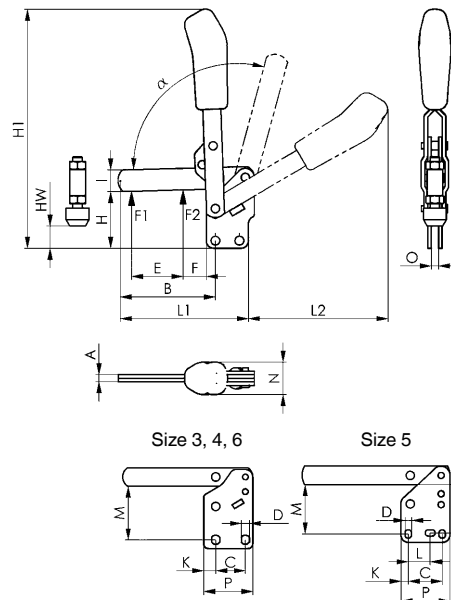
No. 6886,  
page 151



No. 6802,  
page 14



No. 6804,  
page 18



### Dimensions:

Size	A	B	C	D	E	F	H	H1	HW min.	HW max.	I	K	L	L1	L2	M	M1	N	O	P	$\alpha$	$\alpha^*$
3	6	81,0	20,0	7,5	43	19,5	48	200	14,5	26,0	18	7,5	-	108,5	116,0	41,0	-	27	6	35	105°	60°
4	8	101,0	32,0	8,6	61	17,0	65	244	13,0	44,0	20	13,0	-	141,5	129,5	55,5	-	34	8	53	105°	60°
5	10	141,0	45,0	8,5	88	30,5	77	302	15,0	47,0	25	9,5	26,5-31,5	196,5	184,0	66,0	64	36	10	65	115°	60°
6	10	166,5	50,5	13,0	90	20,5	117	369	28,5	86,5	30	24,5	-	232,0	206,0	102,0	-	39	10	90	140°	60°

\* The opening angle can be changed by pressing in a stop pin.

Subject to technical alterations.

## No. 6805

### Vertical toggle clamp with red handle clamping arm with fixed distance of clamping screw and horizontal base.

Galvanized and passivated. Stainless steel rivets. Bearings are pre-lubricated.  
Ergonomic, oil-resistant handle with large grip surface and soft components. Safety clamping piece with finger protection.  
**Complete with tempered, galvanized clamping screw no. 6885.**



Order no.	Size	F1 [kN]	Clamping screw	Weight [g]
90514	1	1	M5x30	100

## No. 6805Y

### Vertical toggle clamp with yellow handle



Order no.	Size	F1 [kN]	Clamping screw	Weight [g]
557037	1	1	M5x30	100

## No. 6805J

### Vertical toggle clamp with orange handle



Order no.	Size	F1 [kN]	Clamping screw	Weight [g]
557330	1	1	M5x30	100

## No. 6805E

### Vertical toggle clamp with blue handle



Order no.	Size	F1 [kN]	Clamping screw	Weight [g]
557654	1	1	M5x30	100

Subject to technical alterations.

## No. 6805G

Vertical toggle clamp with green handle



Order no.	Size	F1 [kN]	Clamping screw	Weight [g]
557491	1	1	M5x30	100

## No. 6805T

Vertical toggle clamp with black handle



Order no.	Size	F1 [kN]	Clamping screw	Weight [g]
557989	1	1	M5x30	100

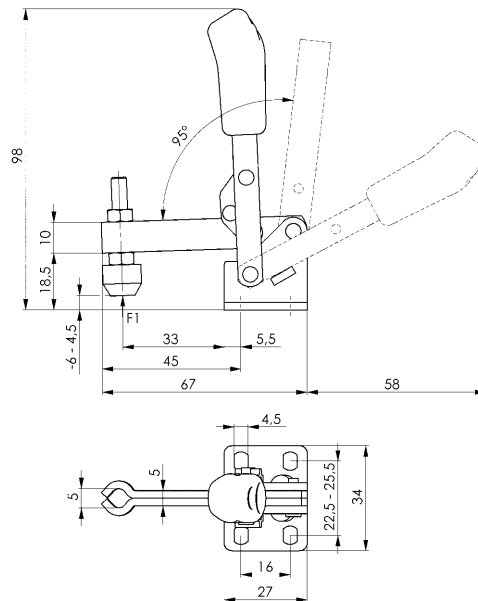
### Recommendations



No. 6886,  
page 151



No. 6804,  
page 18



CAD

## No. 6811P

### Heavy vertical toggle clamp

with horizontal base.

Reamed and case-hardened bearing bushes.

Hardened, ground and permanently-lubricated pins. Clamp nuts

on lever arm to vary friction in movement. Material: steel, blued.

Lever arm made of cast steel, blued. Handle of red, oil-resistant

plastic.

Complete with tempered, galvanized clamping screw

no. 6885.

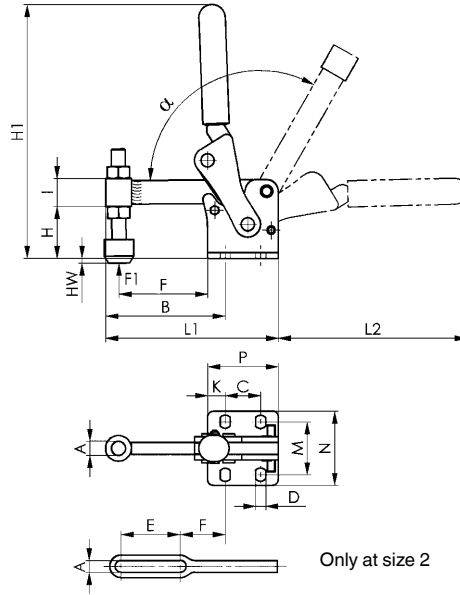


CAD

Order no.	Size	F1 [kN]	Clamping screw	Weight [g]
91314	2	2,5	M 6x 50	320
90878	4	5,0	M12x 80	1250
90886	6	6,0	M12x110	2130
90894	8	12,0	M12x110	4050

### Note:

These heavy vertical toggle clamps are especially suitable for production equipment and fixtures.



### Recommendations



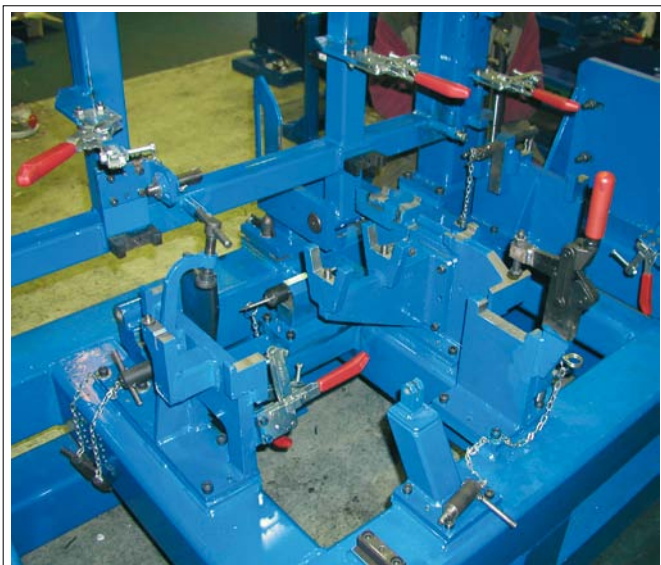
No. 6805,  
page 22



No. 6812P,  
page 25

### Dimensions:

Order no.	Size	A	B	C	D	E	F	H	H1	HW min.	HW max.	I	K	L1	L2	M	N	P	$\alpha$
91314	2	6,1	57	20	7,1	30	21	25	127	-13,5	6	15	8,5	85	94	32	47	37	120°
90878	4	12,2	100	30	8,5	-	75	44	216	-19,0	14	24	15	146	160	45	65	60	120°
90886	6	12,2	121	45	10,5	-	95	65	263	-22,0	35	30	15	181	185	52	78	75	120°
90894	8	12,2	151	55	12,5	-	120	71	303	-10,0	41	36	20	226	203	75	108	95	120°



Subject to technical alterations.



## No. 6812P

### Heavy vertical toggle clamp

with vertical base and mounting holes.

Reamed and case-hardened bearing bushes.

Hardened, ground and permanently-lubricated pins. Clamp nuts on lever arm to vary friction in movement. Material: steel, blued.

Lever arm made of cast steel, blued. Handle of red, oil-resistant plastic.

Complete with tempered, galvanized clamping screw no. 6885.

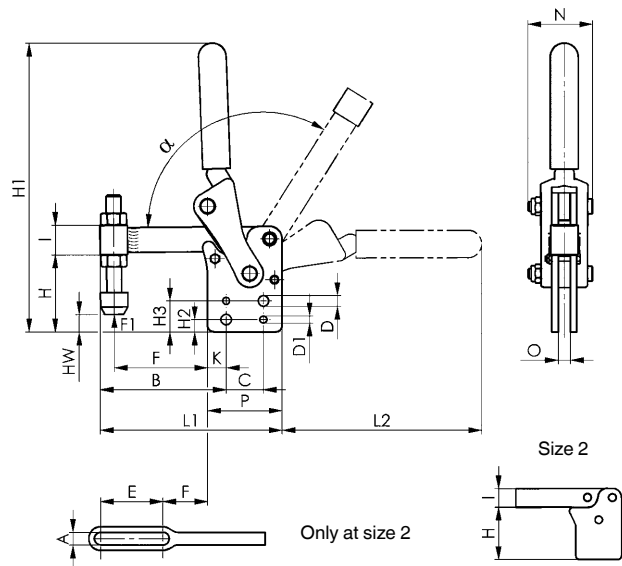


CAD

Order no.	Size	F1 [kN]	Clamping screw	Weight [g]
91330	2	2,5	M 6x 50	320
90902	4	10,0	M12x 80	1320
90910	6	12,0	M12x110	2120
90928	8	20,0	M12x110	4060

### Note:

These heavy vertical toggle clamps are especially suitable for production equipment and fixtures.



### Recommendations



No. 6802,  
page 14



No. 6806,  
page 20



No. 6811P,  
page 24

### Dimensions:

Order no.	Size	A	B	C	D	D1	E	F	H	H1	H2	H3	HW min.	HW max.	I	K	L1	L2	N	O	P	$\alpha$
91330	2	6,2	48	-	-	-	30	12	42,0	144	-	-	3,5	22,8	15	-	85	94	31	6	37	190°
90902	4	12,2	101	30	8,5	5,7	-	75	62,0	233	10	25	-1,0	35,0	24	15	146	161	52	10	60	120°
90910	6	12,2	121	45	10,5	7,7	-	95	87,5	289	15	35	0,0	58,0	30	15	181	189	60	12	75	120°
90928	8	12,2	151	55	12,5	9,7	-	120	106,0	338	15	40	25,0	76,0	36	20	226	219	76	16	95	120°

## No. 6809P

### Modular clamp

with swivelling foot, welding version.

Mechanism can be welded at an angle to its support.  
Reamed and case-hardened bearing bushes. Hardened, ground and permanently-lubricated pins. Clamp nuts on lever arm to vary friction in movement.

Materials: steel, blued. Lever arm made of cast steel, blued.

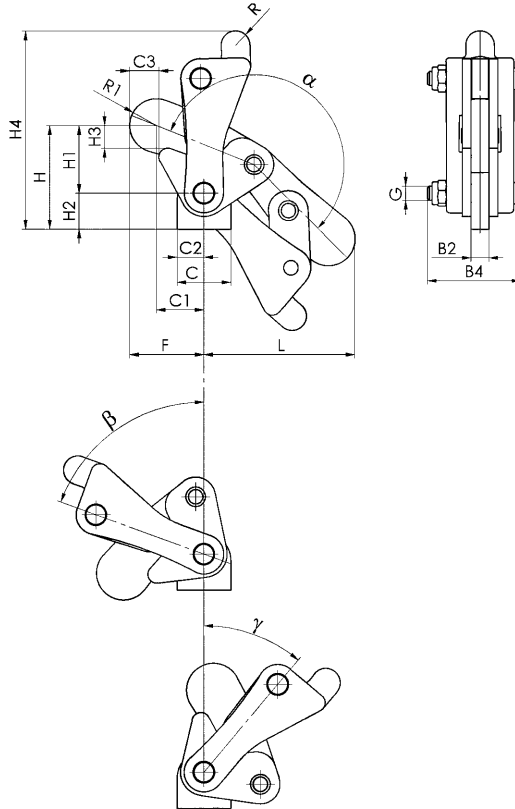


CAD

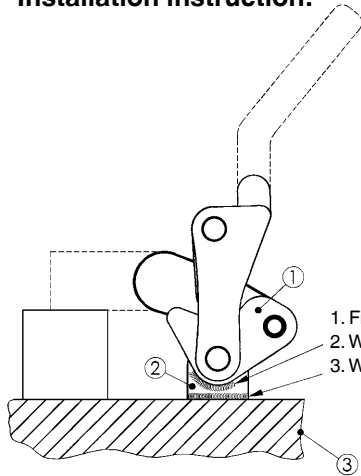
Order no.	Size	F1	Weight [g]
		[kN]	
90738	2	2,5	205
90746	4	7,0	855
90753	6	11,0	1600
90761	8	22,5	3100
90779	10	34,0	5560

### Note:

These modular clamps can be supplemented with accessories just as you need to meet the requirements of your production equipment and fixtures.



### Installation instruction:



1. Fix modular clamp in clamping position
2. Weld part ① to part ②
3. Weld part ② to part ③

### Recommendations



No. 6810P,  
page 27



No. 6811P,  
page 24



No. 6812P,  
page 25

### Dimensions:

Order no.	Size	B2	B4	C	C1	C2	C3	F	G	H	H1	H2	H3	H4	L	R	R1	$\alpha$	$\beta$	$\gamma$
90738	2	6	31	22	22	11	12	32	M 6	38	18	20,0	5	76	58	5	10,0	200°	70°	40°
90746	4	10	52	30	26	15	16	41	M 8	58	38	20,0	12	112	82	8	15,0	200°	70°	40°
90753	6	12	60	36	36	18	20	55	M10	78	50	28,0	16	145	105	11	18,0	200°	70°	40°
90761	8	16	76	50	50	25	27	72	M12	98	65	33,0	19	172	135	14	22,5	200°	70°	40°
90779	10	20	90	70	52	35	22	77	M16	117	83	33,5	25	210	155	14	25,0	200°	60°	28°

Subject to technical alterations.

## No. 6810P

### Modular clamp

with vertical foot, welding version.

Reamed and case-hardened bearing bushes.

Hardened, ground and permanently-lubricated pins. Clamp nuts on lever arm to vary friction in movement.

Materials: steel, blued. Lever arm made of cast steel, blued.

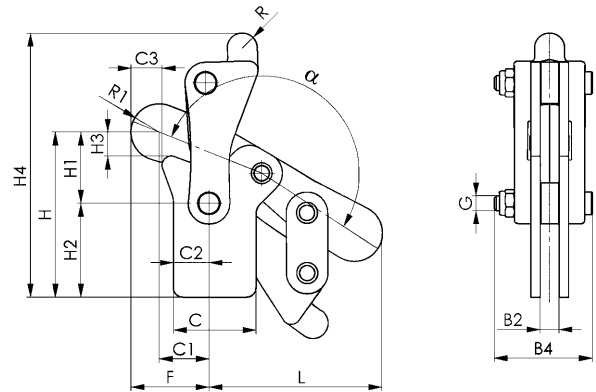


CAD

Order no.	Size	F1 [kN]	Weight [g]
90803	2	2,5	245
90811	4	7,0	970
90829	6	11,0	1750
90837	8	22,5	3310
90845	10	34,0	5970

### Note:

These modular clamps can be supplemented with accessories just as you need to meet the requirements of your production equipment and fixtures.



### Recommendations



No. 6809P,  
page 26



No. 6811P,  
page 24



No. 6812P,  
page 25

### Dimensions:

Order no.	Size	B2	B4	C	C1	C2	C3	F	G	H	H1	H2	H3	H4	L	R	R1	α
90803	2	6	31	30	22	14	12	32	M 6	52	18	34	5	90	58	5	10,0	190°
90811	4	10	52	44	26	19	16	41	M 8	88	38	50	12	142	82	8	15,0	190°
90829	6	12	60	55	36	28	20	55	M10	114	50	64	16	182	106	11	18,0	190°
90837	8	16	76	66	50	37	27	72	M12	140	64	76	19	218	135	14	22,5	190°
90845	10	20	90	80	52	40	22	77	M16	173	83	90	25	266	155	14	25,0	190°

## No. 6809H

### Hand grip

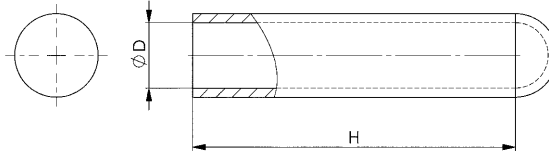
Red, oil-resistant plastic.



CAD

Order no.	Size	ØD x H	Weight [g]
91355	2	13 x 50	7
91363	4	18 x 90	21
91371	6	22 x 100	28
91389	8+10	28 x 110	39

**NEW!**



## No. 6809RK

### Lever arm tube, short

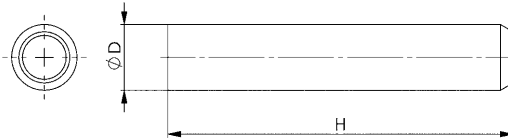
For welding, chamfered to protect operator's hands. Steel, blued.



CAD

Order no.	Size	ØD x H	Weight [g]
91033	2	13 x 55	37
91041	4	18 x 95	104
91058	6	22 x 105	148
91066	8+10	28 x 115	148

**NEW!**



## No. 6809RL

### Lever arm tube, long

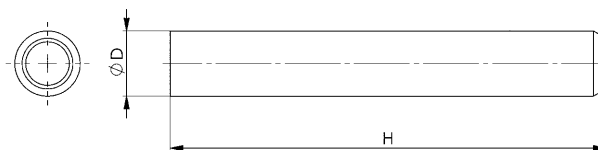
For welding, chamfered to protect operator's hands. Steel, blued.



CAD

Order no.	Size	ØD x H	Weight [g]
91074	2	13 x 95	60
91082	4	18 x 120	132
91090	6	22 x 150	211
91108	8+10	28 x 180	333

**NEW!**



Subject to technical alterations.

## No. 6809G

### Base plate

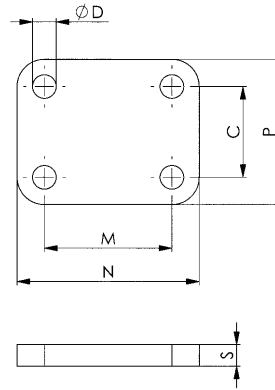
For welding, with mounting holes. Steel, blued.



CAD

Order no.	Size	C	dia. D	M	N	P	S	Weight [g]
90944	2+4	25	6,5	35	50	40	8	86
90951	6	40	8,5	30	50	60	8	211
90969	8	50	8,5	45	65	70	8	333
90977	10	60	10,5	50	70	80	10	406

**NEW!**



## No. 6809S

### Clamping screw holder

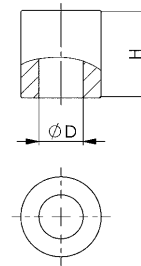
For welding, thick-walled. Steel, blued.



CAD

Order no.	Size	ØD x H	Weight [g]
91116	2	6,5 x 20	26
91124	4	12,1 x 24	50
91132	6	12,1 x 30	63
91173	8+10	12,1 x 36	75

**NEW!**



## No. 6809V

### Clamping arm extension

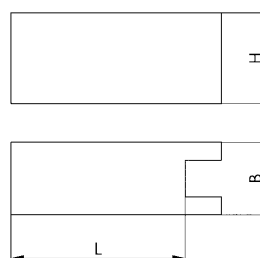
For welding, slotted. Steel, blued.



CAD

Order no.	Size	L x H x W	Weight [g]
90985	2	40 x 15 x 15	81
90993	4	48 x 25 x 20	208
91009	6	60 x 30 x 25	390
91017	8	75 x 35 x 30	676
91025	10	94 x 35 x 35	970

**NEW!**



## No. 6830

### Horizontal toggle clamp with red handle with open clamping arm and horizontal base.

Galvanized and passivated. Rivets made of stainless steel, which, for sizes 2 to 5, run in hardened bushings. Bearings are pre-lubricated.

Ergonomic, oil-resistant handle with large grip surface and soft components. Lock washer for the thrust bolt at the end of the clamping arm.

Complete with tempered, galvanized clamping screw no. 6890.



Order no.	Size	F1 [kN]	F2 [kN]	Clamping screw	Weight [g]
93005	0	0,25	0,4	M4x25	35
93013	1	0,8	1,1	M5x30	105
93021	2	1,0	1,2	M6x35	185
93039	3	1,8	2,5	M8x45	320
93047	4	2,0	3,0	M8x65	700
93054	5	3,0	5,0	M8x65	1080

Also available in „STAINLESS STEEL“ version (no. 6830NI) and in matte-black version (no. 6830B)!

#### Note:

For suitable sensor monitor for size 3 see no. 6897S.

## No. 6830Y

### Horizontal toggle clamp with yellow handle



Order no.	Size	F1 [kN]	F2 [kN]	Clamping screw	Weight [g]
557038	0	0,25	0,4	M4x25	35
557039	1	0,8	1,1	M5x30	105
557040	2	1,0	1,2	M6x35	185
557041	3	1,8	2,5	M8x45	320
557042	4	2,0	3,0	M8x65	700
557043	5	3,0	5,0	M8x65	1080

Also available in „STAINLESS STEEL“ version (no. 6830NIY).

## No. 6830J

### Horizontal toggle clamp with orange handle



Order no.	Size	F1 [kN]	F2 [kN]	Clamping screw	Weight [g]
557331	0	0,25	0,4	M4x25	35
557332	1	0,8	1,1	M5x30	105
557333	2	1,0	1,2	M6x35	185
557334	3	1,8	2,5	M8x45	320
557335	4	2,0	3,0	M8x65	700
557336	5	3,0	5,0	M8x65	1080

Also available in „STAINLESS STEEL“ version (no. 6830NIJ).

## No. 6830E

### Horizontal toggle clamp with blue handle



Order no.	Size	F1 [kN]	F2 [kN]	Clamping screw	Weight [g]
557655	0	0,25	0,4	M4x25	35
557656	1	0,8	1,1	M5x30	105
557657	2	1,0	1,2	M6x35	185
557658	3	1,8	2,5	M8x45	320
557659	4	2,0	3,0	M8x65	700
557660	5	3,0	5,0	M8x65	1080

Also available in „STAINLESS STEEL“ version (no. 6830NIE).

## No. 6830G

Horizontal toggle clamp with green handle



Order no.	Size	F1 [kN]	F2 [kN]	Clamping screw	Weight [g]
557492	0	0,25	0,4	M4x25	35
557493	1	0,8	1,1	M5x30	105
557494	2	1,0	1,2	M6x35	185
557495	3	1,8	2,5	M8x45	320
557496	4	2,0	3,0	M8x65	700
557497	5	3,0	5,0	M8x65	1080

Also available in „STAINLESS STEEL“ version (no. 6830NIG).

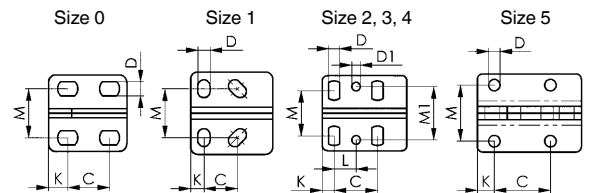
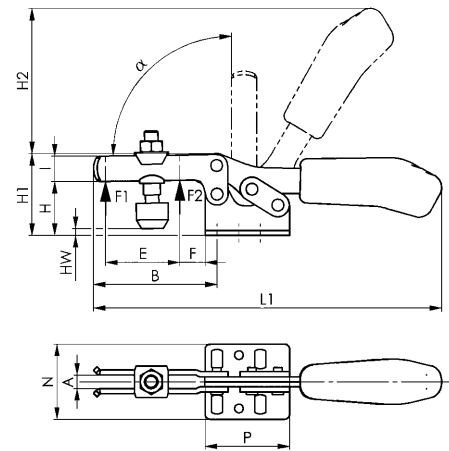
## No. 6830T

Horizontal toggle clamp with black handle



Order no.	Size	F1 [kN]	F2 [kN]	Clamping screw	Weight [g]
557991	0	0,25	0,4	M4x25	35
557992	1	0,8	1,1	M5x30	105
557993	2	1,0	1,2	M6x35	185
557994	3	1,8	2,5	M8x45	320
557995	4	2,0	3,0	M8x65	700
557996	5	3,0	5,0	M8x65	1080

Also available in „STAINLESS STEEL“ version (no. 6830NIT).



### Recommendations



No. 6860, page 42



No. 6897S, page 146



No. 6830S, page 72

### Dimensions:

Size	A	B	C	D	D1	E	F	H	H1	H2	HW min.	HW max.	I	K	L	L1	M	M1	N	P	α
0	4	28	11,5-15,5	4,6	-	9,0	5,5	14,5	23,0	34	-5,5	0,0	7,5	6,3	-	79	16,0	-	25,0	25,5	90°
1	5	42	13,0-14,5	5,2	-	18,7	8,0	19,0	30,0	49	-3,0	2,5	10,0	5,5	-	120	18,0-21,5	-	34,0	34,0	90°
2	6	64	26,0	5,6	5,6	32,0	16,0	24,0	45,0	68	-1,5	5,0	13,2	6,0	12,7	162	19,5-29,5	28,5	42,0	38,0	90°
3	8	73	25,7	6,5	5,1	38,0	14,0	32,0	48,5	86	-2,0	9,0	15,0	7,0	13,0	206	22,0-31,8	31,6	45,5	50,0	90°
4	10	113	41,0	8,5	8,5	63,0	27,0	45,0	75,0	126	-4,0	24,0	20,0	8,0	20,5	287	29,0-43,0	43,0	58,0	57,0	90°
5	10	123	41,5	8,5	-	78,0	16,0	46,0	73,0	128	+1,7	25,0	25,0	12,5	-	321	41,5	-	58,0	77,0	90°

Subject to technical alterations.

## No. 68300

### Horizontal toggle clamp plus with red handle

With increased clamping force, open clamping arm and horizontal base.

Galvanised and passivated. Stainless steel rivets. The bearings are pre-lubricated. Ergonomic, oil-resistant handle with large grip surface and soft components. Safety clamping piece with lock washer for the clamping screw at the end of the clamping arm.

Complete with tempered, galvanised clamping screw no. 68301.



Order no.	Size	F1 [kN]	F2 [kN]	Clamping screw	Weight [g]
552552	1	1,1	1,7	M5 x 35	114
551715	2	1,6	3,0	M6 x 50	450
551716	3	2,5	4,0	M8 x 58	560
551717	4	3,5	8,0	M10 x 76	1250

Also available in „STAINLESS STEEL“ version (no. 68300NI).

## No. 68300Y

### Horizontal toggle clamp plus with yellow handle



Order no.	Size	F1 [kN]	F2 [kN]	Clamping screw	Weight [g]
557046	1	1,1	1,7	M5 x 35	114
557930	2	1,6	3,0	M6 x 50	450
557047	3	2,5	4,0	M8 x 58	560
557048	4	3,5	8,0	M10 x 76	1250

Also available in „STAINLESS STEEL“ version (no. 68300NIY).

## No. 68300J

### Horizontal toggle clamp plus with orange handle

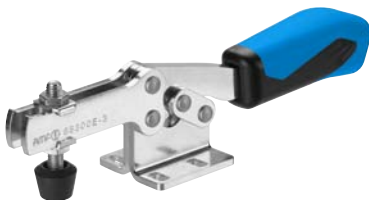


Order no.	Size	F1 [kN]	F2 [kN]	Clamping screw	Weight [g]
557337	1	1,1	1,7	M5 x 35	114
557935	2	1,6	3,0	M6 x 50	450
557338	3	2,5	4,0	M8 x 58	560
557339	4	3,5	8,0	M10 x 76	1250

Also available in „STAINLESS STEEL“ version (no. 68300NIJ).

## No. 68300E

### Horizontal toggle clamp plus with blue handle



Order no.	Size	F1 [kN]	F2 [kN]	Clamping screw	Weight [g]
557668	1	1,1	1,7	M5 x 35	114
557937	2	1,6	3,0	M6 x 50	450
557669	3	2,5	4,0	M8 x 58	560
557670	4	3,5	8,0	M10 x 76	1250

Also available in „STAINLESS STEEL“ version (no. 68300NIE).



## No. 68300G

Horizontal toggle clamp plus with green handle



Order no.	Size	F1 [kN]	F2 [kN]	Clamping screw	Weight [g]
557498	1	1,1	1,7	M5 x 35	114
557936	2	1,6	3,0	M6 x 50	450
557499	3	2,5	4,0	M8 x 58	560
557500	4	3,5	8,0	M10 x 76	1250

Also available in „STAINLESS STEEL“ version (no. 68300NIG).

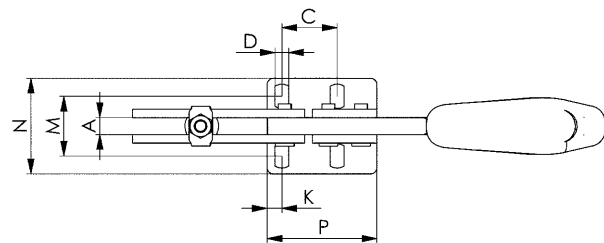
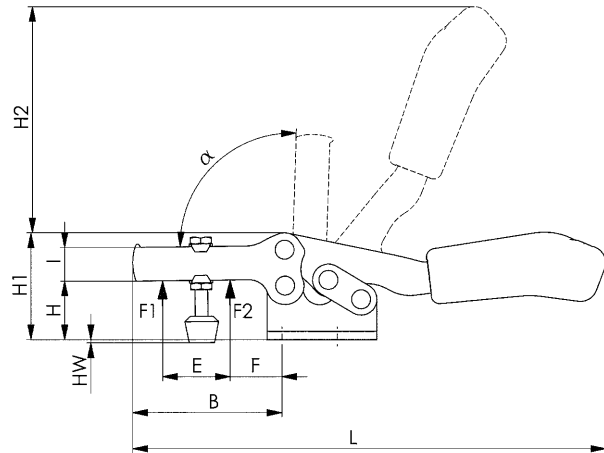
## No. 68300T

Horizontal toggle clamp plus with black handle



Order no.	Size	F1 [kN]	F2 [kN]	Clamping screw	Weight [g]
557997	1	1,1	1,7	M5 x 35	114
557998	2	1,6	3,0	M6 x 50	450
557999	3	2,5	4,0	M8 x 58	560
558000	4	3,5	8,0	M10 x 76	1250

Also available in „STAINLESS STEEL“ version (no. 68300NIT).



### Recommendations



No. 68301,  
page 148



No. 6830S,  
page 72



No. 6800,  
page 12

### Dimensions:

Size	A	B	C	D	E	F	H	H1	H2	HW min.	HW max.	I	K	L	M	N	P	$\alpha$
1	5	46	13,5	4,3	20	16,5	19,0	35	46	0	10,0	12	6,0	126	15,0 - 19,5	27,5	34,0	90°
2	8	71	26,0	6,5	39	14,0	28,0	51	108	-1	12,0	16	7,0	224	23,5 - 34,0	46,0	52,0	90°
3	8	78	26,0	6,5	43	22,0	33,5	58	112	-1	13,0	18	6,5	242	25,5 - 36,0	47,0	52,5	90°
4	10	120	41,5	8,6	69	23,0	41,0	77	135	-2	16,5	24	10,5	329	34,5 - 45,0	60,0	76,0	90°

Subject to technical alterations.

## No. 6832

### Horizontal toggle clamp with red handle

with open clamping arm and vertical base.

Galvanized and passivated. Rivets made of stainless steel, which, for sizes 2 to 5, run in hardened bushings. Bearings are pre-lubricated.

Ergonomic, oil-resistant handle with large grip surface and soft components. Lock washer for the thrust bolt at the end of the clamping arm.

Complete with tempered, galvanized clamping screw no. 6890.



Order no.	Size	F1 [kN]	F2 [kN]	Clamping screw	Weight [g]
93203	0	0,25	0,4	M4x25	35
93211	1	0,8	1,1	M5x30	105
93229	2	1,0	1,2	M6x35	185
93237	3	1,8	2,5	M8x45	320
93245	4	2,0	3,0	M8x65	700
93252	5	3,0	5,0	M8x65	1080

Also available in matte-black version (no. 6832B)!

## No. 6832Y

### Horizontal toggle clamp with yellow handle



Order no.	Size	F1 [kN]	F2 [kN]	Clamping screw	Weight [g]
557097	0	0,25	0,4	M4x25	35
557098	1	0,8	1,1	M5x30	105
557099	2	1,0	1,2	M6x35	185
557100	3	1,8	2,5	M8x45	320
557101	4	2,0	3,0	M8x65	700
557102	5	3,0	5,0	M8x65	1080

## No. 6832J

### Horizontal toggle clamp with orange handle



Order no.	Size	F1 [kN]	F2 [kN]	Clamping screw	Weight [g]
557340	0	0,25	0,4	M4x25	35
557341	1	0,8	1,1	M5x30	105
557342	2	1,0	1,2	M6x35	185
557343	3	1,8	2,5	M8x45	320
557344	4	2,0	3,0	M8x65	700
557345	5	3,0	5,0	M8x65	1080

## No. 6832E

### Horizontal toggle clamp with blue handle



Order no.	Size	F1 [kN]	F2 [kN]	Clamping screw	Weight [g]
557671	0	0,25	0,4	M4x25	35
557672	1	0,8	1,1	M5x30	105
557673	2	1,0	1,2	M6x35	185
557674	3	1,8	2,5	M8x45	320
557675	4	2,0	3,0	M8x65	700
557676	5	3,0	5,0	M8x65	1080

Subject to technical alterations.

## No. 6832G

Horizontal toggle clamp with green handle



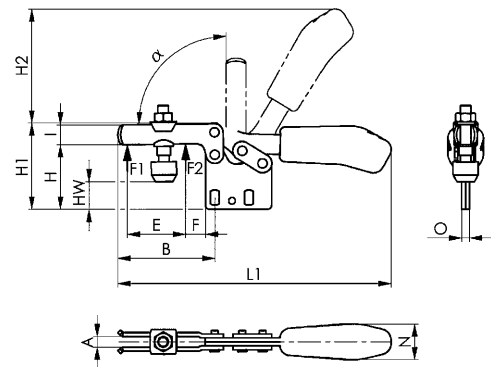
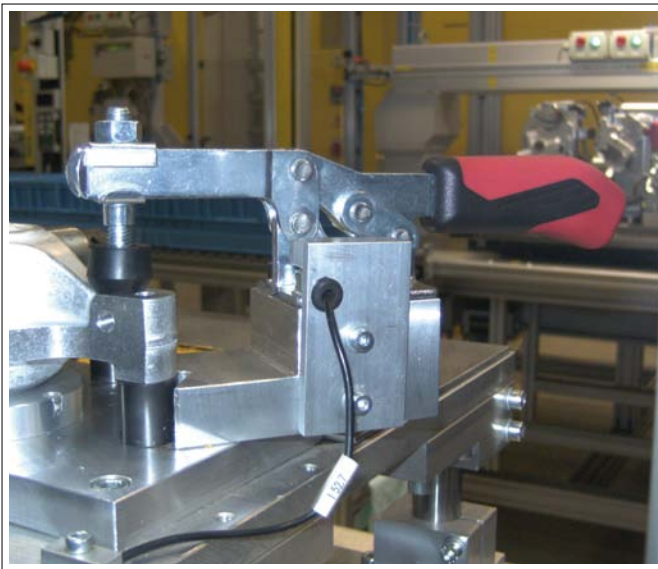
Order no.	Size	F1 [kN]	F2 [kN]	Clamping screw	Weight [g]
557501	0	0,25	0,4	M4x25	35
557502	1	0,8	1,1	M5x30	105
557503	2	1,0	1,2	M6x35	185
557504	3	1,8	2,5	M8x45	320
557505	4	2,0	3,0	M8x65	700
557506	5	3,0	5,0	M8x65	1080

## No. 6832T

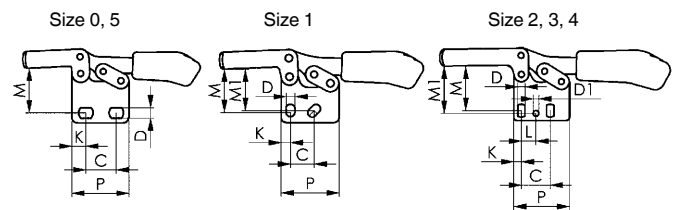
Horizontal toggle clamp with black handle



Order no.	Size	F1 [kN]	F2 [kN]	Clamping screw	Weight [g]
558010	0	0,25	0,4	M4x25	35
558011	1	0,8	1,1	M5x30	105
558012	2	1,0	1,2	M6x35	185
558013	3	1,8	2,5	M8x45	320
558014	4	2,0	3,0	M8x65	700
558015	5	3,0	5,0	M8x65	1080



CAD



### Recommendations



No. 6892,  
page 152



No. 6802,  
page 14



No. 6832S,  
page 74

### Dimensions:

Size	A	B	C	D	D1	E	F	H	H1	H2	HW min.	HW max.	I	K	L	L1	M	M1	N	O	P	$\alpha$
0	4	28	11,5-15,5	4,6	-	9,0	5	24,5	33,0	34	4,7	10,7	7,5	6,3	-	79	20,0	-	12	3	25,5	90°
1	5	42	13,0-14,5	5,2	-	18,5	8	31,5	43,0	49	8,0	15,0	10,0	5,5	-	120	23,5-25,5	24,5	18	5	34,0	90°
2	6	64	26,0	5,6	5,6	32,0	16	40,0	61,0	68	15,0	22,0	13,2	6,0	12,7	164	29,5-34,0	34,0	21	5	38,0	90°
3	8	73	25,7	6,5	5,1	38,5	14	49,0	65,0	86	14,5	26,0	15,0	7,0	13,0	206	37,5-42,5	42,0	27	6	50,0	90°
4	10	113	41,0	8,5	8,5	63,0	27	66,5	97,0	115	17,5	46,0	20,0	8,0	20,5	287	52,0-59,0	59,0	34	8	57,0	90°
5	10	123	41,5	8,5	-	78,0	16	65,0	92,5	128	21,5	45,0	25,0	12,5	-	321	57,0	-	36	10	77,0	90°

Subject to technical alterations.

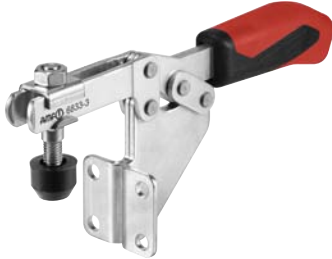
## No. 6833

### Horizontal toggle clamp with red handle with open clamping arm and angle base.

Galvanized and passivated. Rivets made of stainless steel, which, for sizes 2 and 3, run in hardened bushings. Bearings are pre-lubricated.

Ergonomic, oil-resistant handle with large grip surface and soft components. Lock washer for the thrust bolt at the end of the clamping arm.

Complete with tempered, galvanized clamping screw no. 6890.



Order no.	Size	F1 [kN]	F2 [kN]	Clamping screw	Weight [g]
93179	1	0,8	1,1	M5x30	170
93328	2	1,0	1,2	M6x35	245
93336	3	1,8	2,5	M8x45	390
93542	4	2,0	3,0	M8x65	730

## No. 6833Y

### Horizontal toggle clamp with yellow handle



Order no.	Size	F1 [kN]	F2 [kN]	Clamping screw	Weight [g]
557118	1	0,8	1,1	M5x30	170
557119	2	1,0	1,2	M6x35	245
557120	3	1,8	2,5	M8x45	390
557121	4	2,0	3,0	M8x65	730

## No. 6833J

### Horizontal toggle clamp with orange handle



Order no.	Size	F1 [kN]	F2 [kN]	Clamping screw	Weight [g]
557350	1	0,8	1,1	M5x30	170
557351	2	1,0	1,2	M6x35	245
557352	3	1,8	2,5	M8x45	390
557353	4	2,0	3,0	M8x65	730

## No. 6833E

### Horizontal toggle clamp with blue handle

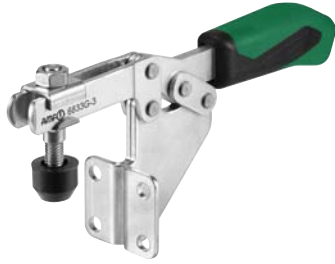


Order no.	Size	F1 [kN]	F2 [kN]	Clamping screw	Weight [g]
557682	1	0,8	1,1	M5x30	170
557683	2	1,0	1,2	M6x35	245
557684	3	1,8	2,5	M8x45	390
557685	4	2,0	3,0	M8x65	730

Subject to technical alterations.

## No. 6833G

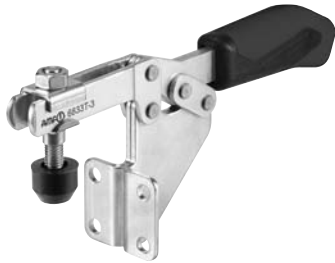
Horizontal toggle clamp with green handle



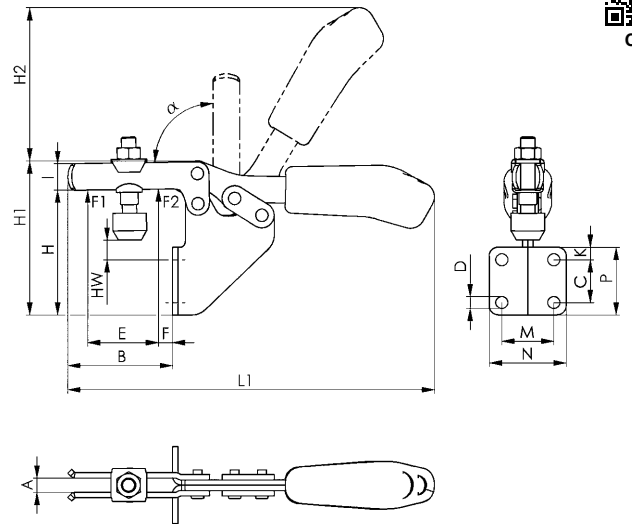
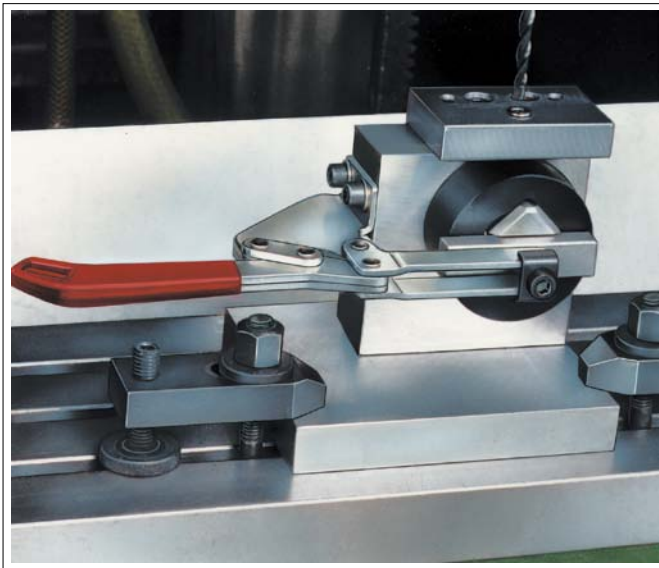
Order no.	Size	F1 [kN]	F2 [kN]	Clamping screw	Weight [g]
557511	1	0,8	1,1	M5x30	170
557512	2	1,0	1,2	M6x35	245
557513	3	1,8	2,5	M8x45	390
557514	4	2,0	3,0	M8x65	730

## No. 6833T

Horizontal toggle clamp with black handle



Order no.	Size	F1 [kN]	F2 [kN]	Clamping screw	Weight [g]
558021	1	0,8	1,1	M5x30	170
558022	2	1,0	1,2	M6x35	245
558023	3	1,8	2,5	M8x45	390
558024	4	2,0	3,0	M8x65	730



CAD

### Recommendations



No. 6896,  
page 153



No. 6895,  
page 154



No. 6830,  
page 30

### Dimensions:

Size	A	B	C	D	E	F	H	H1	H2	HW min.	HW max.	I	K	L1	M	N	P	$\alpha$
1	5,0	32	13,5	5,2	18,5	4,0	57	68,0	49	14	20,0	10,0	8	120	19,0	31,0	28	90°
2	6,2	52	20,0	5,6	32,0	10,5	73	94,0	68	22	29,5	13,2	6	162	25,5	37,0	32	90°
3	8,0	59	24,0	6,8	37,0	6,5	70	86,5	86	5	16,0	15,0	7	206	28,5	42,5	38	90°
4	10,0	93	32,0	8,5	63,0	15,0	102	133,0	120	11	40,0	20,0	40	282	32,0	52,0	82	90°

Subject to technical alterations.

## No. 6834

### Horizontal toggle clamp with red handle

with solid arm and horizontal base.

Galvanized and passivated.

Stainless steel rivets, which run in hardened bushes.

Bearings are pre-lubricated.

Ergonomic, oil-resistant handle with large grip surface and soft components.

Complete with tempered, galvanized clamping screw no. 6885 and sleeve to weld on.



Order no.	Size	F1 [kN]	F2 [kN]	Clamping screw	Weight [g]
93427	2	1,0	1,2	M 6x35	185
93435	3	1,8	2,5	M 8x45	320
93443	4	2,0	3,0	M 8x65	700
93450	5	3,0	5,0	M12x80	1080

#### Note:

For suitable sensor monitor for size 3 see no. 6897S.

## No. 6834Y

### Horizontal toggle clamp with yellow handle



Order no.	Size	F1 [kN]	F2 [kN]	Clamping screw	Weight [g]
557106	2	1,0	1,2	M 6x35	185
557108	3	1,8	2,5	M 8x45	320
557109	4	2,0	3,0	M 8x65	700
557110	5	3,0	5,0	M12x80	1080

## No. 6834J

### Horizontal toggle clamp with orange handle



Order no.	Size	F1 [kN]	F2 [kN]	Clamping screw	Weight [g]
557346	2	1,0	1,2	M 6x35	185
557347	3	1,8	2,5	M 8x45	320
557348	4	2,0	3,0	M 8x65	700
557349	5	3,0	5,0	M12x80	1080

## No. 6834E

### Horizontal toggle clamp with blue handle



Order no.	Size	F1 [kN]	F2 [kN]	Clamping screw	Weight [g]
557678	2	1,0	1,2	M 6x35	185
557679	3	1,8	2,5	M 8x45	320
557680	4	2,0	3,0	M 8x65	700
557681	5	3,0	5,0	M12x80	1080

## No. 6834G

Horizontal toggle clamp with green handle



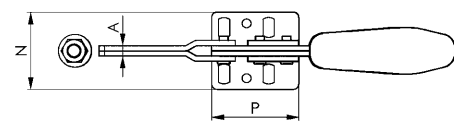
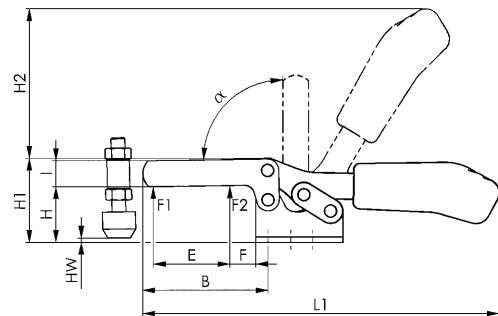
Order no.	Size	F1 [kN]	F2 [kN]	Clamping screw	Weight [g]
557507	2	1,0	1,2	M 6x35	185
557508	3	1,8	2,5	M 8x45	320
557509	4	2,0	3,0	M 8x65	700
557510	5	3,0	5,0	M12x80	1080

## No. 6834T

Horizontal toggle clamp with black handle

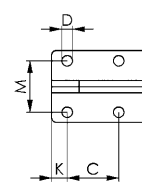
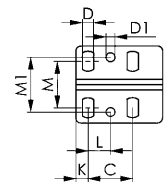


Order no.	Size	F1 [kN]	F2 [kN]	Clamping screw	Weight [g]
558017	2	1,0	1,2	M 6x35	185
558018	3	1,8	2,5	M 8x45	320
558019	4	2,0	3,0	M 8x65	700
558020	5	3,0	5,0	M12x80	1080



Size 2, 3, 4

Size 5



### Recommendations



No. 6886,  
page 151



No. 6804,  
page 18



No. 6834S,  
page 76

### Dimensions:

Size	A	B	C	D	D1	E	F	H	H1	H2	HW min.	HW max.	I	K	L	L1	M	M1	N	P	α
2	5	63	26,0	5,6	5,6	35	16,0	24	45,0	66	-2,0	7,5	13	6,0	12,7	161	19,5-29,5	28,5	42	38	90°
3	6	72	26,0	6,5	5,1	44	15,0	32	48,5	86	-3,5	11,0	15	7,0	13,0	205	22,0-31,8	32,0	45,5	50	90°
4	8	111	41,0	8,5	8,5	66	26,0	45	75,0	114	-6,0	22,0	20	8,0	20,5	280	29,0-43,0	43,0	58	57	90°
5	10	121	41,5	8,5	-	78	17,5	46	73,0	128	-13,0	12,5	25	12,5	-	320	41,5	-	58	77	90°

Subject to technical alterations.

## No. 6837M

### Horizontal acting toggle clamp

#### For removable handle.

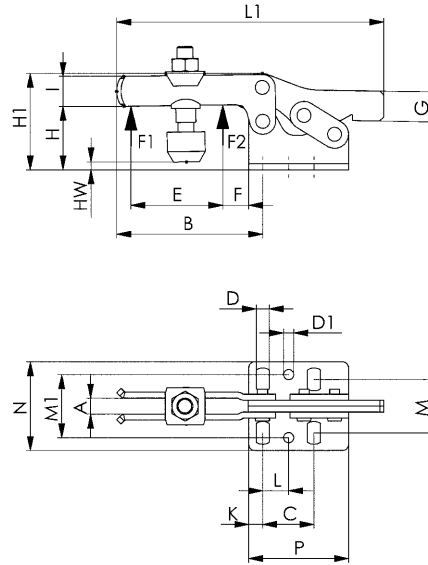
To prevent interference during use, the handle can be removed after opening or closing this horizontal acting toggle clamp. With open clamping arm and horizontal base. Galvanized and passivated. Stainless steel rivets. The bearings are pre-lubricated.

Handle 6837H is not included in delivery and needs to be ordered separately.

**Complete with tempered, galvanised clamping screw no. 6890.**



Order no.	Size	F1 [kN]	F2 [kN]	Clamping screw	Weight [g]
93948	2	1,0	1,2	M6 x 35	160
94201	3	1,8	2,5	M8 x 45	269
94268	4	2,0	3,0	M8 x 65	608



#### Recommendations



No. 6830S,  
page 72



No. 6896,  
page 153



No. 6895,  
page 154

#### Dimensions:

Order no.	Size	A	B	C	D	D1	E	F	G	H	H1	HW min.	HW max.	I	K	L	L1	M	M1	N	P	$\alpha$
93948	2	6	64	26,0	5,6	5,6	32	16	12	24	45,0	-1,5	5	13,2	6	12,7	113	19,5 - 29,5	28,5	42,0	38	90°
94201	3	8	73	25,7	6,5	5,1	38	14	15	32	48,5	-2,0	9	15,0	7	13,0	134	22,0 - 31,8	31,6	45,5	50	90°
94268	4	10	113	41,5	8,5	8,5	63	27	15	45	75,0	-4,0	24	20,0	8	20,5	191	29,0 - 43,0	43,0	58,0	57	90°

## No. 6837H

### Red handle, removable

For horizontal acting toggle clamp no. 6837M.



Order no.	Size	H	L	N	Weight [g]
94144	2	26	93,0	21,0	70
94284	3	35	118,5	27,0	122
94292	4	42	134,5	34,5	195

## No. 6837HY

### Yellow handle, removable



Order no.	Size	H	L	N	Weight [g]
557125	2	26	93,0	21,0	70
557126	3	35	118,5	27,0	122
557127	4	42	134,5	34,5	195



## No. 6837HJ

Orange handle, removable



Order no.	Size	H	L	N	Weight [g]
557357	2	26	93,0	21,0	70
557358	3	35	118,5	27,0	122
557359	4	42	134,5	34,5	195

## No. 6837HE

Blue handle, removable



Order no.	Size	H	L	N	Weight [g]
557686	2	26	93,0	21,0	70
557687	3	35	118,5	27,0	122
557688	4	42	134,5	34,5	195

## No. 6837HG

Green handle, removable



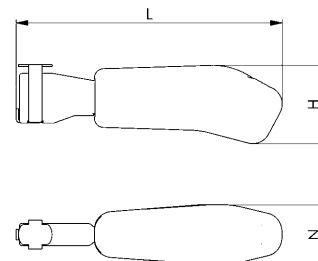
Order no.	Size	H	L	N	Weight [g]
557525	2	26	93,0	21,0	70
557526	3	35	118,5	27,0	122
557527	4	42	134,5	34,5	195

## No. 6837HT

Black handle, removable



Order no.	Size	H	L	N	Weight [g]
558025	2	26	93,0	21,0	70
558026	3	35	118,5	27,0	122
558027	4	42	134,5	34,5	195



CAD

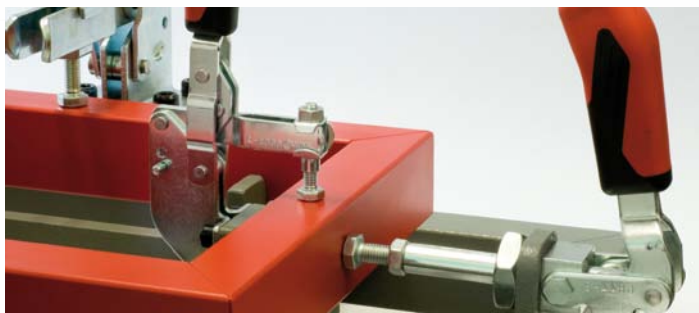
## POSITIONING AND CLAMPING AT THE SAME TIME AND IN ONE OPERATION

### The benefits at a glance:

- > Positioning and clamping in one operation
- > Robust and stable design
- > Workpiece easy to remove thanks to the fully retracted clamping arm
- > Optimised quality consistent with the AMF quality standard

Precise positioning and reliable clamping of individual components are of paramount importance when welding fixtures. In practice, this is guaranteed through the simultaneous use of rods and vertical toggle clamps, or by one's own complex design. The AMF Combiclamp accomplishes these two tasks in one operation, eliminating the need to use different toggle clamps. The sliding block guide on the Combiclamp converts the motion of the lever arm into a horizontal and vertical clamping movement, through which the workpiece is positioned and clamped at the same time. See for yourself the saving potential of using the new AMF Combiclamp!

### PRESENT FIXTURE:



### SET-UP WITH AMF-COMBICLAMP:



### No. 6860

#### Combination clamp with red handle

Galvanized and passivated.  
Rivets made of stainless steel which run in hardened bushings.  
Bearings are pre-lubricated.  
Ergonomic, oil-resistant handle with large grip surface and soft components.



Order no.	Size	F1 [kN]	F2 [kN]	Weight [g]
93831	1	1,0	1,0	340
93880	2	2,0	2,0	700
93864	3	3,0	3,0	1620

### No. 6860Y

#### Combination clamp with yellow handle



Order no.	Size	F1 [kN]	F2 [kN]	Weight [g]
557143	1	1,0	1,0	340
557144	2	2,0	2,0	700
557145	3	3,0	3,0	1620

### No. 6860J

#### Combination clamp with orange handle



Order no.	Size	F1 [kN]	F2 [kN]	Weight [g]
557360	1	1,0	1,0	340
557361	2	2,0	2,0	700
557362	3	3,0	3,0	1620

Subject to technical alterations.

## No. 6860E

Combination clamp with blue handle



Order no.	Size	F1 [kN]	F2 [kN]	Weight [g]
557689	1	1,0	1,0	340
557690	2	2,0	2,0	700
557691	3	3,0	3,0	1620

## No. 6860G

Combination clamp with green handle



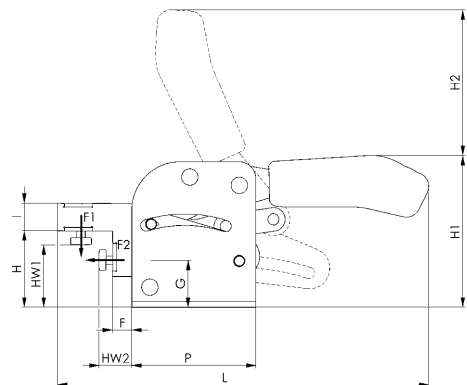
Order no.	Size	F1 [kN]	F2 [kN]	Weight [g]
557528	1	1,0	1,0	340
557529	2	2,0	2,0	700
557530	3	3,0	3,0	1620

## No. 6860T

Combination clamp with black handle



Order no.	Size	F1 [kN]	F2 [kN]	Weight [g]
558028	1	1,0	1,0	340
558029	2	2,0	2,0	700
558030	3	3,0	3,0	1620



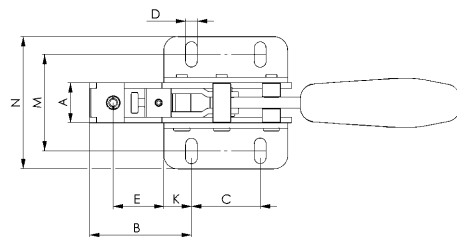
### Recommendations



No. 6841,  
page 44

No. 6830,  
page 30

No. 6860P,  
page 122



### Dimensions:

Size	A	B	C	D	E	F	G	H	H1	H2	HW1 min.	HW1 max.	HW2 min.	HW2 max.	I	K	L	M	N	P
1	17,0	33	40	5,5	15	0,5	22	36,0	74	62	25	32	5	10	12	7,5	150	34,5-39,5	53	55
2	19,5	56	50	6,5	32	9,0	28	46,0	94	87	30	40	14	24	16	12,5	219	48,5-61,5	75	75
3	29,0	74	50	8,5	37	14,0	34	55,5	110	106	40	50	20	30	20	20,0	270	60,0-80,0	96	90

## No. 6841

### Push-pull type toggle clamp with red handle

with small angle base. For push- and pull-clamping. (Equal operation of rod and lever).

Long rod-guide with attaching thread and nut. Galvanized and passivated. Rivets made of stainless steel, which, for sizes 2 and 3, run in hardened bushings. Lever-parts and rod of tempered steel. Bearings are pre-lubricated. Lever can be set to any angle relative to base. Ergonomic, oil-resistant handle with large grip surface and soft components.

Complete with tempered, galvanized clamping screw no. 6880.



Order no.	Size	F1 [kN]	F2 [kN]	Clamping screw	Weight [g]
94094	0	0,8	0,8	M 4x20	65
94110	1	1,0	1,0	M 4x20	125
94128	2	2,0	2,0	M 6x25	245
94136	3	2,5	2,5	M 8x35	445
94151	5	4,5	4,5	M12x50	880
94367	5-M27	4,5	4,5	M12x50	900

Also available in „STAINLESS STEEL“ version (no. 6841NI) and in matte-black version (no. 6841B)!

## No. 6841Y

### Push-pull type toggle clamp with yellow handle



Order no.	Size	F1 [kN]	F2 [kN]	Clamping screw	Weight [g]
557147	0	0,8	0,8	M 4x20	65
557148	1	1,0	1,0	M 4x20	125
557149	2	2,0	2,0	M 6x25	245
557150	3	2,5	2,5	M 8x35	445
557151	5	4,5	4,5	M12x50	880
557152	5-M27	4,5	4,5	M12x50	900

Also available in „STAINLESS STEEL“ version (no. 6841NIY).

## No. 6841J

### Push-pull type toggle clamp with orange handle



Order no.	Size	F1 [kN]	F2 [kN]	Clamping screw	Weight [g]
557373	0	0,8	0,8	M 4x20	65
557374	1	1,0	1,0	M 4x20	125
557375	2	2,0	2,0	M 6x25	245
557376	3	2,5	2,5	M 8x35	445
557377	5	4,5	4,5	M12x50	880
557378	5-M27	4,5	4,5	M12x50	900

Also available in „STAINLESS STEEL“ version (no. 6841NIJ).

## No. 6841E

### Push-pull type toggle clamp with blue handle



Order no.	Size	F1 [kN]	F2 [kN]	Clamping screw	Weight [g]
557692	0	0,8	0,8	M 4x20	65
557693	1	1,0	1,0	M 4x20	125
557694	2	2,0	2,0	M 6x25	245
557695	3	2,5	2,5	M 8x35	445
557696	5	4,5	4,5	M12x50	880
557697	5-M27	4,5	4,5	M12x50	900

Also available in „STAINLESS STEEL“ version (no. 6841NIE).

## No. 6841G

Push-pull type toggle clamp with green handle



Order no.	Size	F1 [kN]	F2 [kN]	Clamping screw	Weight [g]
557531	0	0,8	0,8	M 4x20	65
557532	1	1,0	1,0	M 4x20	125
557533	2	2,0	2,0	M 6x25	245
557534	3	2,5	2,5	M 8x35	445
557535	5	4,5	4,5	M12x50	880
557536	5-M27	4,5	4,5	M12x50	900

Also available in „STAINLESS STEEL“ version (no. 6841NIG).

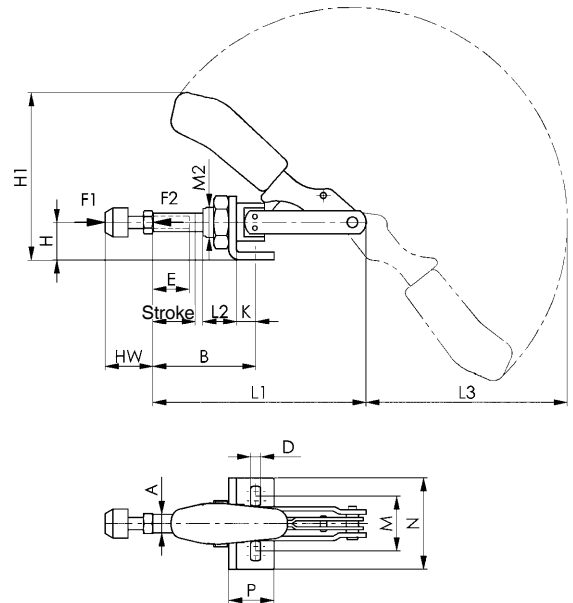
## No. 6841T

Push-pull type toggle clamp with black handle



Order no.	Size	F1 [kN]	F2 [kN]	Clamping screw	Weight [g]
558031	0	0,8	0,8	M 4x20	65
558032	1	1,0	1,0	M 4x20	125
558033	2	2,0	2,0	M 6x25	245
558034	3	2,5	2,5	M 8x35	445
558035	5	4,5	4,5	M12x50	880
558036	5-M27	4,5	4,5	M12x50	900

Also available in „STAINLESS STEEL“ version (no. 6841NIT).



### Recommendations



No. 6844, page 48



No. 6845, page 50



No. 6842, page 52

### Dimensions:

Size	A	B min.	B max.	D	E	H	H1	Stroke	HW min.	HW max.	K	L1	L2	L3	M	M2	N	P
0	6,5	17,0	33,0	4,5	13	12	49,3	16	12	20	6,5	66,5	10	54,0	16,0	M10x1,0	25	16
1	8,0	24,5	44,5	4,5	20	15	60,5	20	12	20	7,0	91,0	16	74,0	16,0-19,5	M12x1,5	30	20
2	10,0	32,5	58,5	5,6	20	20	85,5	26	17	25	12,5	114,0	19	105,0	31,8-36,0	M16x1,5	50	34
3	12,0	37,0	69,0	6,5	30	25	108,0	32	22	35	13,0	140,0	22	127,5	29,5-42,5	M20x1,5	60	30
5	16,0	41,5	81,5	8,5	50	30	129,5	40	30	50	15,5	171,5	25	158,0	29,0-46,0	M24x1,5	65	35
5-M27	16,0	41,5	81,5	8,5	50	30	129,5	40	30	50	15,5	171,5	25	158,0	29,0-46,0	M27x2,0	65	35

Subject to technical alterations.

## No. 6840

### Push-pull type toggle clamp with red handle

without angle base. For push- and pull-clamping. (Equal operation of rod and lever).

Long rod-guide with attaching thread and nut. Galvanized and passivated. Rivets made of stainless steel, which, for sizes 2 and 3, run in hardened bushings. Lever-parts and rod of tempered steel. Bearings are pre-lubricated. Push-pull toggle clamp with threaded front for direct mounting in vertical metal plates or in fixtures. Ergonomic, oil-resistant handle with large grip surface and soft components.

Complete with tempered, galvanized clamping screw no. 6880.



Order no.	Size	F1 [kN]	F2 [kN]	Clamping screw	Weight [g]
93906	0	0,8	0,8	M 4x20	60
93914	1	1,0	1,0	M 4x20	100
93922	2	2,0	2,0	M 6x25	245
93930	3	2,5	2,5	M 8x35	330
93955	5	4,5	4,5	M12x50	700
94359	5-M27	4,5	4,5	M12x50	720

## No. 6840Y

### Push-pull type toggle clamp with yellow handle



Order no.	Size	F1 [kN]	F2 [kN]	Clamping screw	Weight [g]
557161	0	0,8	0,8	M 4x20	60
557162	1	1,0	1,0	M 4x20	100
557163	2	2,0	2,0	M 6x25	245
557164	3	2,5	2,5	M 8x35	330
557165	5	4,5	4,5	M12x50	700
557166	5-M27	4,5	4,5	M12x50	720

## No. 6840J

### Push-pull type toggle clamp with orange handle



Order no.	Size	F1 [kN]	F2 [kN]	Clamping screw	Weight [g]
557389	0	0,8	0,8	M 4x20	60
557390	1	1,0	1,0	M 4x20	100
557391	2	2,0	2,0	M 6x25	245
557392	3	2,5	2,5	M 8x35	330
557393	5	4,5	4,5	M12x50	700
557394	5-M27	4,5	4,5	M12x50	720

## No. 6840E

### Push-pull type toggle clamp with blue handle



Order no.	Size	F1 [kN]	F2 [kN]	Clamping screw	Weight [g]
557699	0	0,8	0,8	M 4x20	60
557700	1	1,0	1,0	M 4x20	100
557701	2	2,0	2,0	M 6x25	245
557702	3	2,5	2,5	M 8x35	330
557703	5	4,5	4,5	M12x50	700
557704	5-M27	4,5	4,5	M12x50	720

## No. 6840G

Push-pull type toggle clamp with green handle



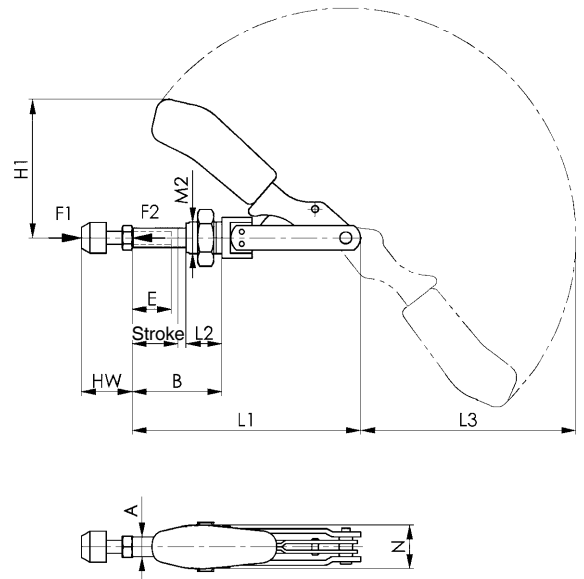
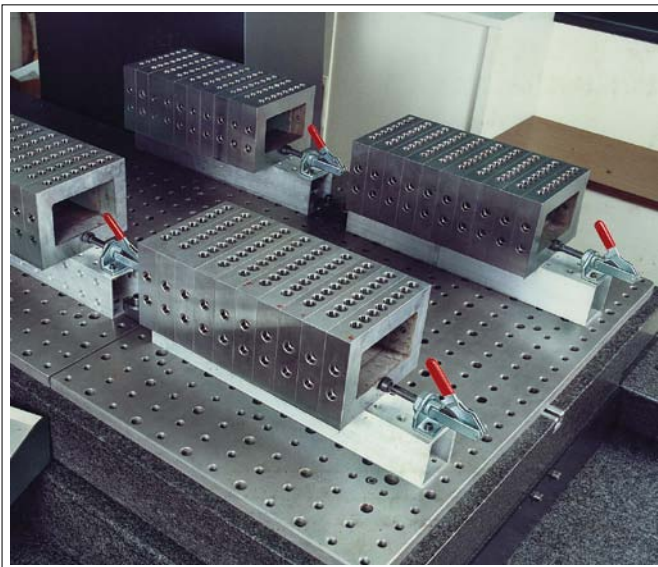
Order no.	Size	F1 [kN]	F2 [kN]	Clamping screw	Weight [g]
557537	0	0,8	0,8	M 4x20	60
557538	1	1,0	1,0	M 4x20	100
557539	2	2,0	2,0	M 6x25	245
557540	3	2,5	2,5	M 8x35	330
557541	5	4,5	4,5	M12x50	700
557542	5-M27	4,5	4,5	M12x50	720

## No. 6840T

Push-pull type toggle clamp with black handle



Order no.	Size	F1 [kN]	F2 [kN]	Clamping screw	Weight [g]
558037	0	0,8	0,8	M 4x20	60
558038	1	1,0	1,0	M 4x20	100
558039	2	2,0	2,0	M 6x25	245
558040	3	2,5	2,5	M 8x35	330
558041	5	4,5	4,5	M12x50	700
558042	5-M27	4,5	4,5	M12x50	720



CAD

### Recommendations



No. 6843,  
page 50



No. 6841,  
page 44



No. 6840S,  
page 78

### Dimensions:

Size	A	B min.	B max.	E	H1	Stroke	HW min.	HW max.	L1	L2	L3	M2	N
0	6,5	10,5	26,5	13	37,0	16	12	20	66,5	10	54	M10x1,0	15,0
1	8,0	17,5	37,5	20	45,5	20	12	20	91,0	16	74	M12x1,5	18,0
2	10,0	20,0	46,0	20	66,0	26	17	25	114,0	19	105	M16x1,5	22,0
3	12,0	24,0	56,0	30	82,5	32	22	35	140,0	22	127	M20x1,5	27,0
5	16,0	26,5	66,5	50	99,0	40	30	50	171,5	25	158	M24x1,5	34,5
5-M27	16,0	26,5	66,5	50	99,0	40	30	50	171,5	25	158	M27x2,0	34,5

Subject to technical alterations.

## No. 6844

### Push-pull type toggle clamp with red handle

**short version.** For push- and pull-clamping.  
Long rod-guide with attaching thread and nut.  
Galvanized and passivated. Stainless steel rivet. Shoulder screws tempered. Bearings are pre-lubricated.  
Ergonomic, oil-resistant handle with large grip surface and soft components.

**Complete with tempered, galvanized clamping screw no. 6880.**



Order no.	Size	F1 [kN]	F2 [kN]	Clamping screw	Weight [g]
94300	2	1,0	1,0	M 6x25	130
94318	3	2,5	2,5	M 8x35	320
94334	5	4,0	4,0	M12x50	1200
92676	5-M27	4,0	4,0	M12x50	1200

Also available in „STAINLESS STEEL“ version (no. 6844NI).

#### Application:

Toggle for direct fit up in metal plates or fixtures, using its front attaching thread or by means of solid base angle no. 6843.

## No. 6844Y

### Push-pull type toggle clamp with yellow handle



Order no.	Size	F1 [kN]	F2 [kN]	Clamping screw	Weight [g]
557167	2	1,0	1,0	M 6x25	130
557168	3	2,5	2,5	M 8x35	320
557169	5	4,0	4,0	M12x50	1200
557170	5-M27	4,0	4,0	M12x50	1200

Also available in „STAINLESS STEEL“ version (no. 6844NIY).

## No. 6844J

### Push-pull type toggle clamp with orange handle



Order no.	Size	F1 [kN]	F2 [kN]	Clamping screw	Weight [g]
557397	2	1,0	1,0	M 6x25	130
557398	3	2,5	2,5	M 8x35	320
557399	5	4,0	4,0	M12x50	1200
557400	5-M27	4,0	4,0	M12x50	1200

Also available in „STAINLESS STEEL“ version (no. 6844NIJ).

## No. 6844E

### Push-pull type toggle clamp with blue handle



Order no.	Size	F1 [kN]	F2 [kN]	Clamping screw	Weight [g]
557710	2	1,0	1,0	M 6x25	130
557711	3	2,5	2,5	M 8x35	320
557712	5	4,0	4,0	M12x50	1200
557713	5-M27	4,0	4,0	M12x50	1200

Also available in „STAINLESS STEEL“ version (no. 6844NIE).



## No. 6844G

Push-pull type toggle clamp with green handle



Order no.	Size	F1 [kN]	F2 [kN]	Clamping screw	Weight [g]
557548	2	1,0	1,0	M 6x25	130
557549	3	2,5	2,5	M 8x35	320
557550	5	4,0	4,0	M12x50	1200
557551	5-M27	4,0	4,0	M12x50	1200

Also available in „STAINLESS STEEL“ version (no. 6844NIG).

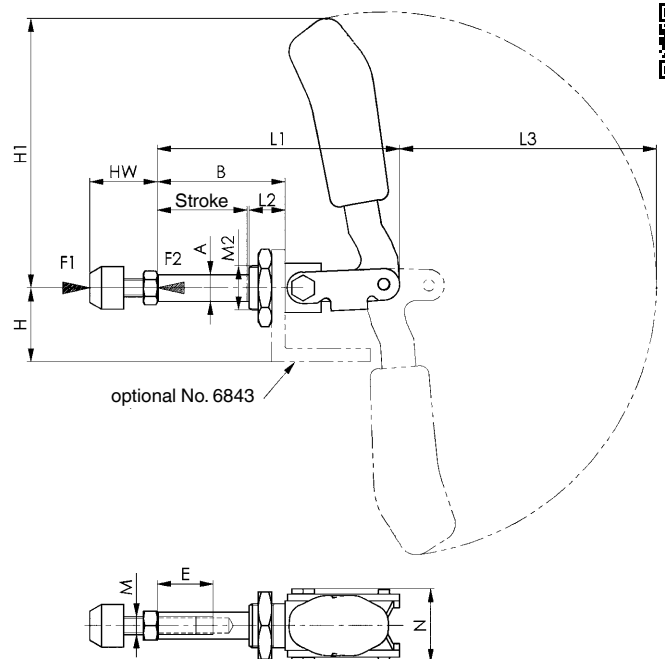
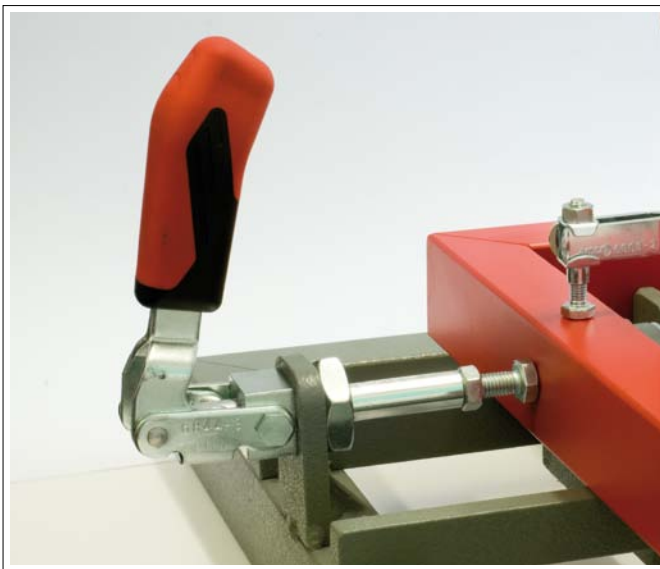
## No. 6844T

Push-pull type toggle clamp with black handle



Order no.	Size	F1 [kN]	F2 [kN]	Clamping screw	Weight [g]
558046	2	1,0	1,0	M 6x25	130
558047	3	2,5	2,5	M 8x35	320
558048	5	4,0	4,0	M12x50	1200
558049	5-M27	4,0	4,0	M12x50	1200

Also available in „STAINLESS STEEL“ version (no. 6844NIT).



### Recommendations



No. 6843,  
page 50



No. 6860,  
page 42

### Dimensions:

Size	A	B	E	H	H1	Stroke	HW min.	HW max.	L1	L2	L3	M	M2	N
2	10	36	15	24	73	21,5	17	25	68,5	13	68	M6	M16x1,5	30,5
3	12	57	25	33	123	40,0	22	35	108,0	16	115	M8	M20x1,5	33,0
5	16	92	45	37	149	67,0	30	50	175,0	24	139	M12	M24x1,5	49,0
5-M27	16	92	45	37	149	67,0	30	50	175,0	24	139	M12	M27x2,0	49,0

Subject to technical alterations.

## No. 6843

### Angle base, solid

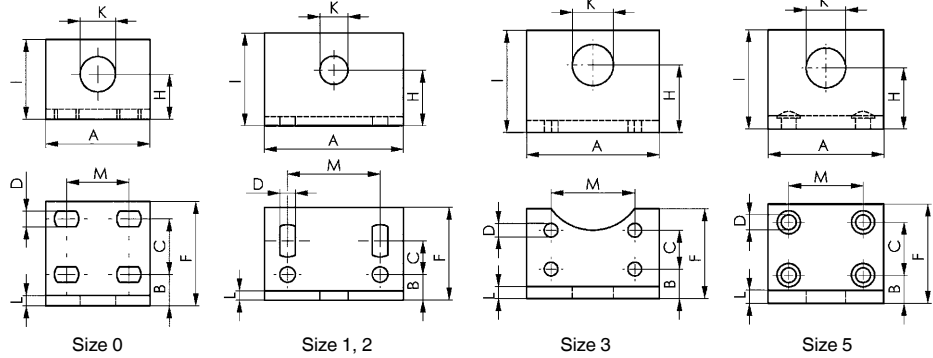
for no. 6840 and no. 6844.  
Increased range of application due to enlarged height of center line. Fastening by means of 4 screws.



CAD

Order no.	Size	A	B	C	D	F	H	I	K	L	M	Weight [g]
94003	0	30	9,0	16,0	4,5	30	13	23	10,2	3	15,5-20,5	35
94011	1	60	11,0	11-18	6,7	40	24	40	12,2	4	40,0	135
94029	2	60	11,0	11-18	6,7	40	24	40	16,2	5	40,0	160
94037	3	65	14,5	19,0	6,7	44	33	50	20,2	6	41,0	235
94052	5	70	17,0	32,0	9,0	60	37	60	24,0	8	45,0	450
94391	5-M27	70	17,0	32,0	9,0	60	37	60	27,0	8	45,0	440

Also available in „STAINLESS STEEL“ version (no. 6843NI).



### Recommendations



No. 6841, page 44



No. 6840, page 46



No. 6844, page 48

## No. 6845

### Push-pull type toggle clamp

#### Push-type clamp.

(Opposed operation of rod and lever). Version with long rod-guide. Base of malleable casting, varnished. Toggle parts and push rod are heat-treated steel, galvanized and passivated. Stainless steel rivets, which run in hardened bushes. Bearings are pre-lubricated. Ergonomic, oil-resistant handle with large grip surface and soft components.

**Complete with tempered, galvanized clamping screw no. 6880-3.**

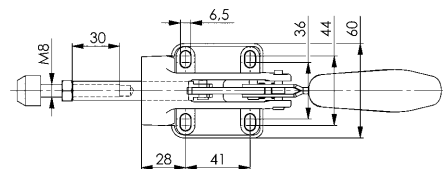
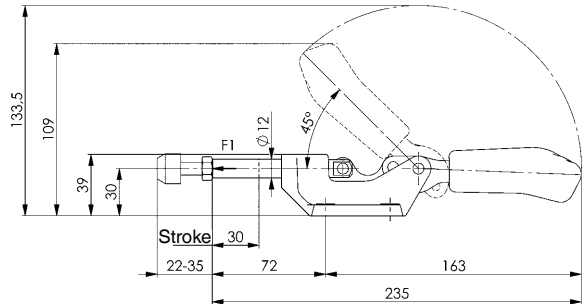


CAD

Order no.	Size	F1 [kN]	Clamping screw	Weight [g]
94243	3	4	M8x35	540

### Advantage:

- Low height in clamped position
- Compatible with AMF push-pull toggle clamp no. 6842-3



### Recommendations



No. 6841, page 44

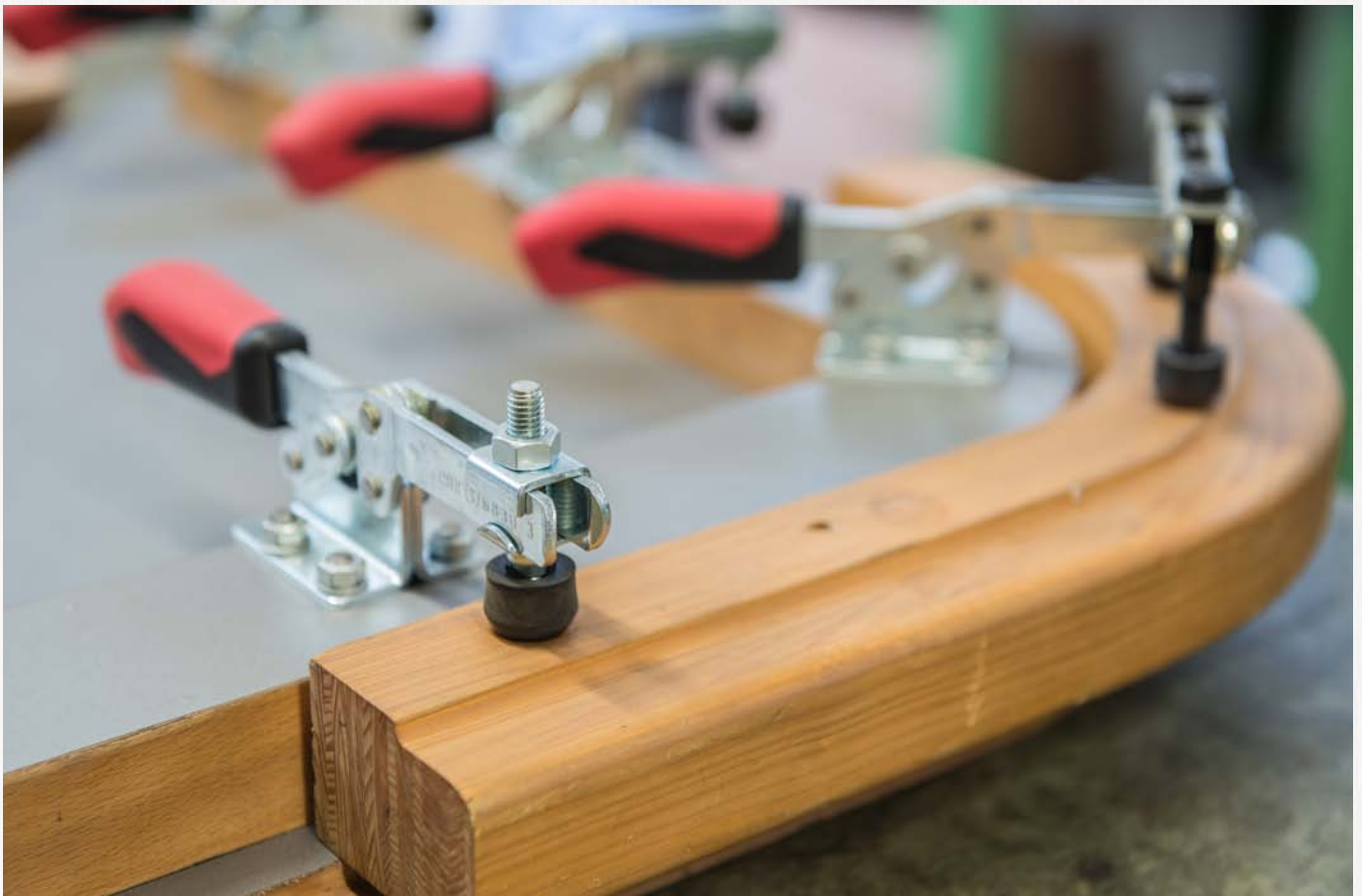
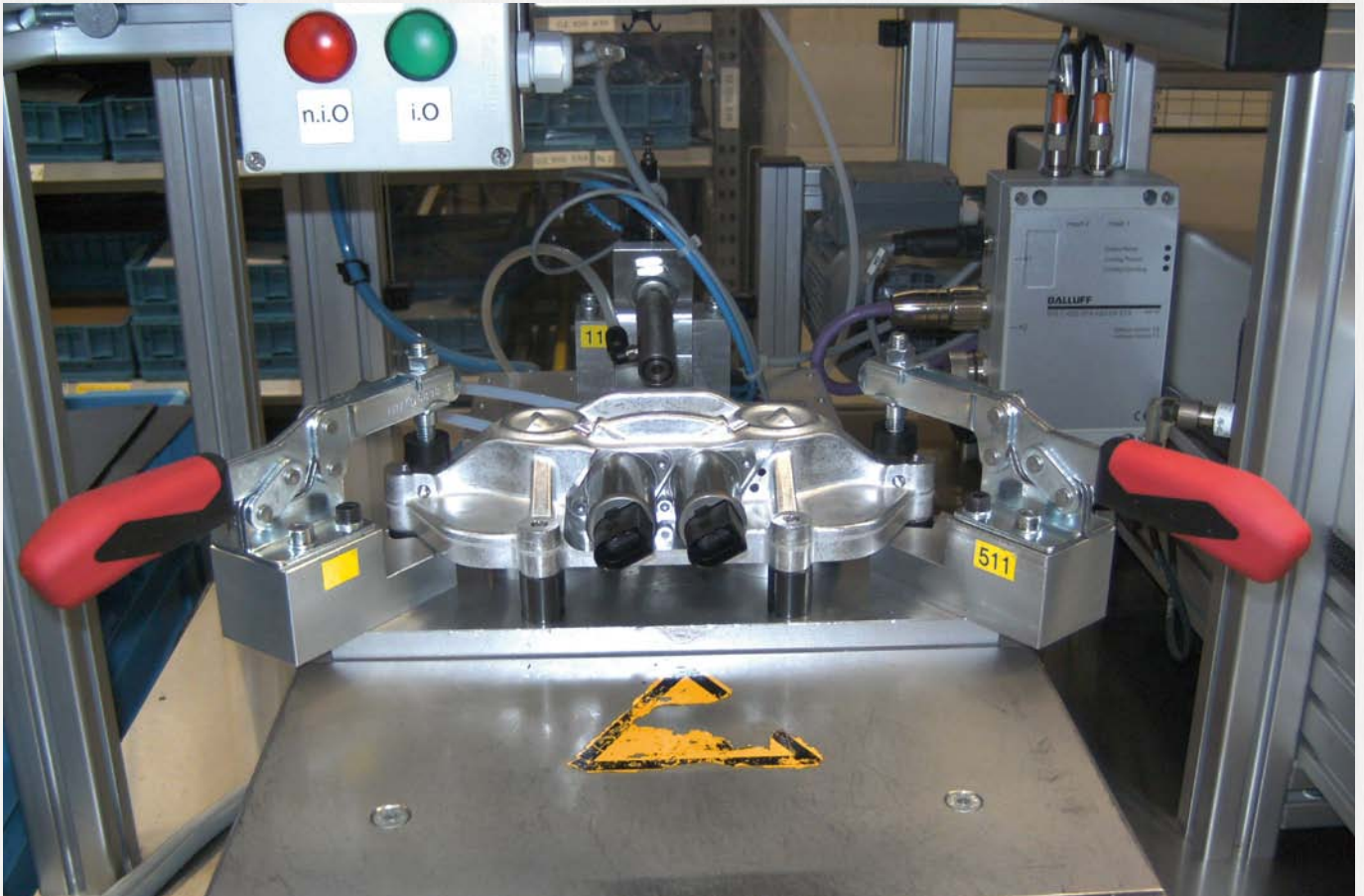


No. 6842, page 52



No. 6842PK, page 54

Subject to technical alterations.



## No. 6842

### Heavy-duty push-pull type toggle clamp with red handle

#### For push and pull-clamping.

(Equal operation of rod and lever). Heavy-duty version with long rod-guide. Base (body) made of malleable cast iron, varnished. Lever parts and push rod made of tempered steel, galvanized and passivated. Rivets made of stainless steel, which, for size 3, run in hardened bearing bushes. Bearing positions are greased. Ergonomic, oil-resistant handle with large grip surface and soft components.

Complete with tempered, galvanized clamping screw no. 6880.



Order no.	Size	F1 [kN]	F2 [kN]	Clamping screw	Weight [g]
94235	3	4	4	M 8x35	540
94250	5	10	10	M12x50	1115
94276	7	25	25	M12x50	2840

## No. 6842Y

### Heavy-duty push-pull type toggle clamp with yellow handle



Order no.	Size	F1 [kN]	F2 [kN]	Clamping screw	Weight [g]
557171	5	10	10	M12x50	1115
557172	7	25	25	M12x50	2840

## No. 6842J

### Heavy-duty push-pull type toggle clamp with orange handle



Order no.	Size	F1 [kN]	F2 [kN]	Clamping screw	Weight [g]
557403	5	10	10	M12x50	1115
557404	7	25	25	M12x50	2840

## No. 6842E

### Heavy-duty push-pull type toggle clamp with blue handle



Order no.	Size	F1 [kN]	F2 [kN]	Clamping screw	Weight [g]
557714	5	10	10	M12x50	1115
557715	7	25	25	M12x50	2840

## No. 6842G

Heavy-duty push-pull type toggle clamp with green handle



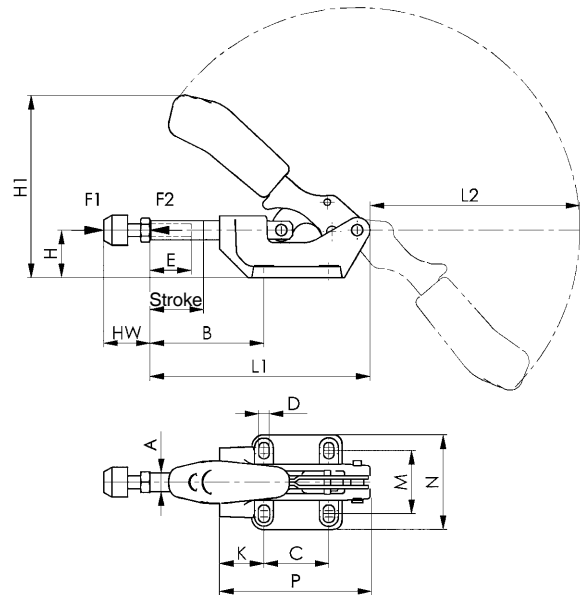
Order no.	Size	F1 [kN]	F2 [kN]	Clamping screw	Weight [g]
557561	5	10	10	M12x50	1115
557562	7	25	25	M12x50	2840

## No. 6842T

Heavy-duty push-pull type toggle clamp with black handle



Order no.	Size	F1 [kN]	F2 [kN]	Clamping screw	Weight [g]
558054	5	10	10	M12x50	1115
558055	7	25	25	M12x50	2840



### Recommendations



No. 6841,  
page 44



No. 6842PL,  
page 55



No. 6860,  
page 42

### Dimensions:

Size	A	B min.	B max.	C	D	E	H	H1	Stroke	HW min.	HW max.	K	L1	L2	M	N	P
3	12	40	72	41	6,5	30	30	116,0	32	22	35	28	139	135	36-44	60	95
5	16	58	98	41	8,5	50	38	137,5	40	30	50	45	174	156	41-50	71	121
7	22	59	105	70	11,0	50	55	179,0	50	30	50	45	218	192	57-65	93	158



Subject to technical alterations.

## No. 6842PK

### Heavy push-pull type toggle clamp

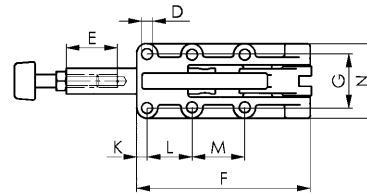
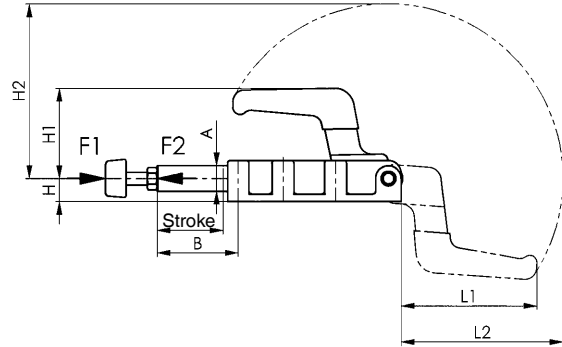
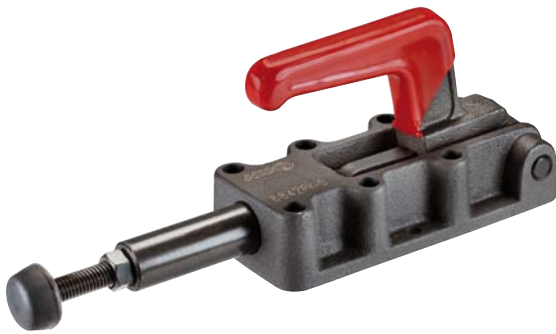
with solid lever. For push- and pull-clamping.  
(Equal operation of rod and lever).

Heavy-duty version with long rod-guide. Base of malleable casting, burnished. Hardened pins. Lever-parts and rod of tempered steel, burnished. Handle made of red, oil-resistant plastic.

Complete with tempered, galvanized clamping screw no. 6880.



Order no.	Size	F1 [kN]	F2 [kN]	Clamping screw	Weight [g]
92544	4	7	7	M 8x35	590
92569	5	12	12	M10x50	1650
92585	7	25	25	M12x50	4150
92601	8	45	45	M16x80	7420



### Recommendations



No. 6800,  
page 12



No. 6811P,  
page 24



No. 6842PL,  
page 55

### Dimensions:

Order no.	Size	A	B	D	E	F	G	H	H1	H2	Stroke	K	L	L1	L2	M	N
92544	4	14	63	5,5	30	90	33,3	12	42,5	96	32	25,0	36,5	69,0	88,0	-	47
92569	5	20	63	8,5	50	137	41,0	18	70,0	136	50	8,0	35,0	105,0	126,0	41	58
92585	7	25	114	10,5	50	198	54,0	22	93,5	196	75	12,0	45,0	151,5	183,5	45	84
92601	8	30	149	10,5	60	254	57,0	28	111,5	247	106	14,5	70,0	196,0	232,0	70	86

## No. 6842PL

### Heavy push-pull type toggle clamp

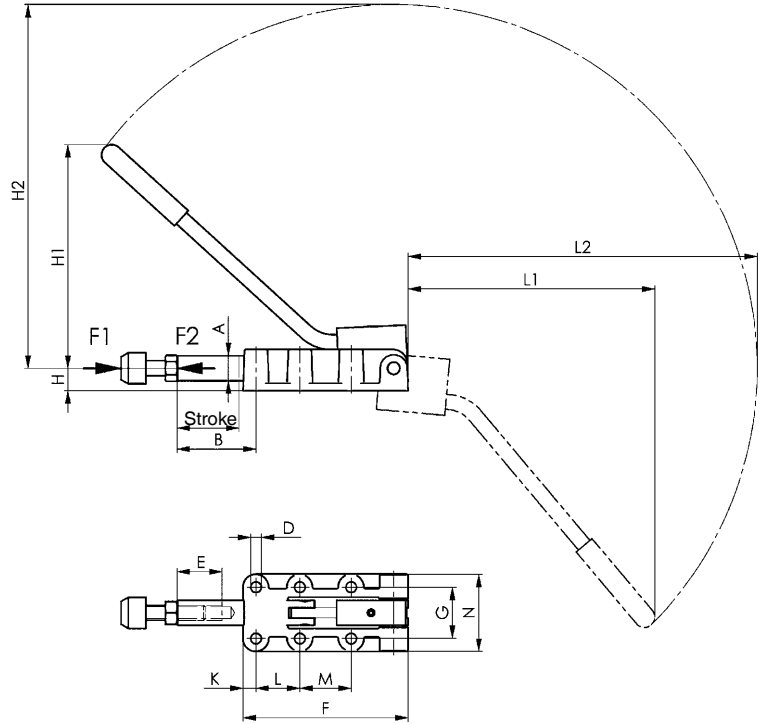
with reversible lever. For push- and pull-clamping.  
(Equal operation of rod and lever).

Heavy-duty version with long rod-guide. Base of malleable casting, burnished. Hardened pins. Lever parts and rod made of tempered steel, burnished. Zinc-coated and passivated lever with handle made of red oil-resistant plastic.

Complete with tempered, galvanized clamping screw no. 6880.



Order no.	Size	F1 [kN]	F2 [kN]	Clamping screw	Weight [g]
92627	4	7	7	M 8x35	650
92643	5	12	12	M10x50	1600
92668	7	25	25	M12x50	4280
92684	8	45	45	M16x80	7720



#### Recommendations



No. 6830,  
page 30



No. 6842,  
page 52



No. 6842PK,  
page 54

#### Dimensions:

Order no.	Size	A	B	D	E	F	G	H	H1	H2	Stroke	K	L	L1	L2	M	N
92627	4	14	63	5,5	30	90	33,3	12	115,0	190,0	32	25,0	36,5	128	182	-	47
92643	5	20	63	8,5	50	137	41,0	18	178,5	290,5	50	8,0	35,0	197	279	41	58
92668	7	25	114	10,5	50	198	54,0	22	246,0	392,0	75	12,0	45,0	267	374	45	84
92684	8	30	149	10,5	60	254	57,0	28	323,0	523,0	106	14,5	70,0	365	501	70	86

## No. 6847

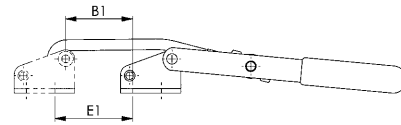
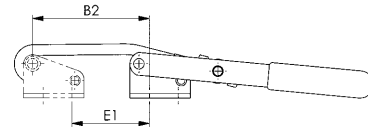
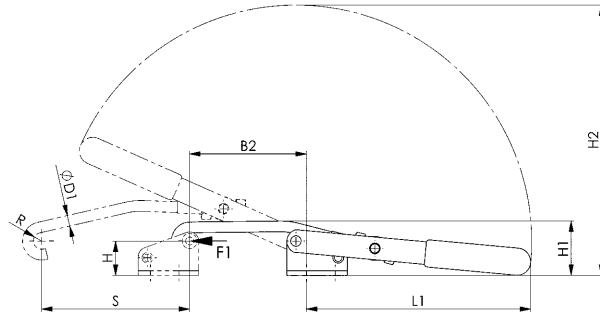
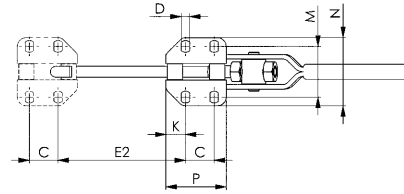
### Hook type toggle clamp

Galvanized and passivated. Bushes case hardened and greased; rivets of stainless steel. Hook and clamping sleeve tempered. Handle made of red, oil-resistant plastic. Ergonomic, oil-resistant handle with large grip surface and soft components for size 1.



Order no.	Size	F1	Adjustm. distance	Weight [g]
		[kN]	[mm]	
94524	1	2	8	100
94540	3	3	12	270
94565	5	5	14	850

Also available in „STAINLESS STEEL“ version (no. 6847NI).



#### Recommendations



No. 6847S, page 79



No. 6848H, page 58

#### Dimensions:

Order no.	Size	B1	B2	C	D	dia. D1	E1	E2	H	H1	H2	K	L1	M	N	P	R	S
94524	1	16-23	35-42	19	4,5	5,30	17-24	35-42	22,7	34,5	111	6	88	26,0-30,0	40	31	4,5	45
94540	3	32-44	65-77	19	5,5	7,10	39-51	72-84	22,7	36,0	181	13	149	31,5-35,5	45	40	5,5	98
94565	5	26-40	57-71	29	11,2	10,75	27-42	58-73	49,1	69,0	282	13	228	55,5-63,0	85	55	8,0	147

## No. 6847G

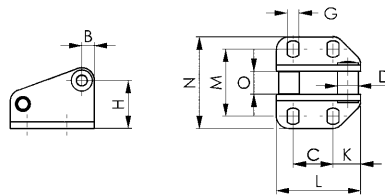
### Counter catch

for no. 6847. Galvanized and passivated. Bushes case hardened; rivet of stainless steel.



Order no.	Size	Height	Length	Weight [g]
		[mm]	[mm]	
94623	1	29	31	40
94649	3	29	40	70
94664	5	61	55	320

Also available in „STAINLESS STEEL“ version (no. 6847GNI).



#### Dimensions:

Order no.	Size	B	C	D	G	H	K	L	M	N	O
94623	1	6	19	8	4,5	22,7	6	31	26,0-30,0	40	6,9
94649	3	6	19	10	5,5	22,7	13	40	31,3-35,8	45	10,9
94664	5	12	29	15	11,2	49,1	13	55	56,5-64,0	86	13,8

Subject to technical alterations.



## No. 6847K

### Hook type toggle clamp

for cylindrical mounting surfaces.

Galvanized and passivated. Case-hardened, pre-lubricated, continuous bearing bushes. Stainless steel rivets. Tempered hook and clamping sleeve. Handle made of red, oil-resistant plastic. Use socket cap screws to ISO 4762 (DIN 912) for mounting.



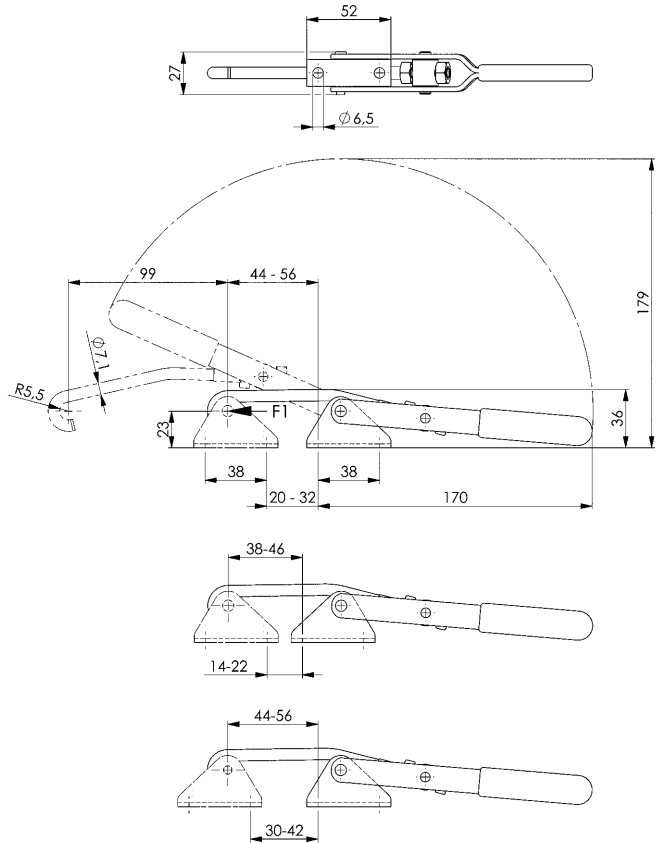
CAD

Order no.	Size	F1 [kN]	Adjustm. distance [mm]	Weight [g]
94680	3	3	22	270

Also available in „STAINLESS STEEL“ version (no. 6847KNI).

#### Note:

The range of movement can be adjusted by swiveling the base and repositioning the catch.



#### Recommendations



No. 6847S,  
page 79



No. 6849PH,  
page 62

## No. 6847GK

### Counter catch

for cylindrical mounting surfaces.

For hook-type toggle clamp no. 6847K. Galvanized and passivated. Case-hardened, continuous bush. Stainless steel rivet. Use socket cap screws to ISO 4762 (DIN 912) for mounting.



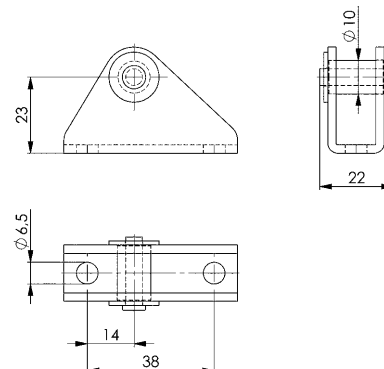
CAD

Order no.	Size	Height [mm]	Length [mm]	Weight [g]
94672	3	32	52	65

Also available in „STAINLESS STEEL“ version (no. 6847GKNI).

#### Note:

The adjustment range of the clamp can be increased by turning the counter catch.



## No. 6848H

### Horizontal hook-type toggle clamp with red handle

Galvanized and passivated.  
Stainless steel rivets, which run in hardened bushes.  
Tempered hook. Bearings are pre-lubricated. Ergonomic, oil-resistant handle with large grip surface and soft components.  
**Supplied complete with counter catch.**



Order no.	Size	F1	Weight
		[kN]	
94698	2	1,6	120
94706	3	3,2	330
94714	4	7,0	810

Also available in „STAINLESS STEEL“ version (no. 6848HNI).

## No. 6848HY

### Horizontal hook-type toggle clamp with yellow handle



Order no.	Size	F1	Weight
		[kN]	
557173	2	1,6	120
557174	3	3,2	330
557175	4	7,0	810

Also available in „STAINLESS STEEL“ version (no. 6848HNIY).

## No. 6848HJ

### Horizontal hook-type toggle clamp with orange handle

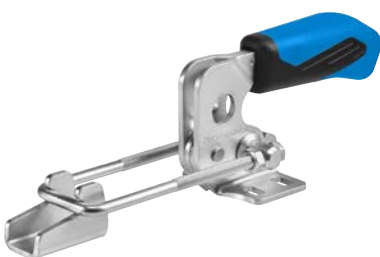


Order no.	Size	F1	Weight
		[kN]	
557405	2	1,6	120
557406	3	3,2	330
557407	4	7,0	810

Also available in „STAINLESS STEEL“ version (no. 6848HNIJ).

## No. 6848HE

### Horizontal hook-type toggle clamp with blue handle

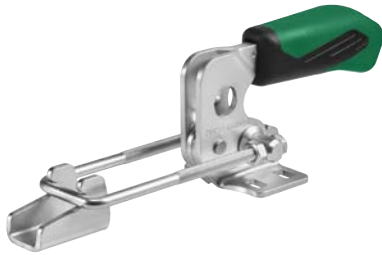


Order no.	Size	F1	Weight
		[kN]	
557718	2	1,6	120
557719	3	3,2	330
557720	4	7,0	810

Also available in „STAINLESS STEEL“ version (no. 6848HNIIE).

## No. 6848HG

Horizontal hook-type toggle clamp with green handle



Order no.	Size	F1	Weight [g]
		[kN]	
557563	2	1,6	120
557564	3	3,2	330
557565	4	7,0	810

Also available in „STAINLESS STEEL“ version (no. 6848HNIG).

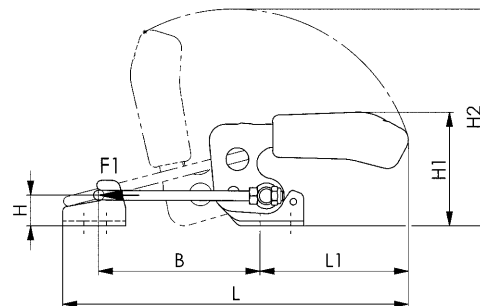
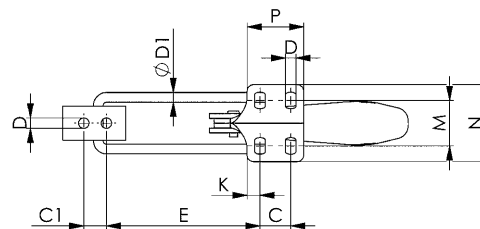
## No. 6848HT

Horizontal hook-type toggle clamp with black handle



Order no.	Size	F1	Weight [g]
		[kN]	
558056	2	1,6	120
558057	3	3,2	330
558058	4	7,0	810

Also available in „STAINLESS STEEL“ version (no. 6848HNIT).



CAD

### Recommendations



No. 6847SU,  
page 79



No. 6848V,  
page 60

### Dimensions:

Size	B min.	B max.	C	C1	D	dia. D1	E min.	E max.	H	H1	H2	K	L min.	L max.	L1	M	N	P
2	42,0	76	13	11	5,2	4	38,0	72	12	47,0	99,0	6,4	125	159	156	19,5-23,5	38,0	26,0
3	53,5	101	19	14	6,5	6	48,6	96	19	70,0	135,5	8,0	169	216	210	24,5-32,0	48,0	35,0
4	66,0	130	32	19	8,5	8	59,0	123	26	94,5	171,5	9,5	209	273	270	35,0-46,0	64,3	53,5

Subject to technical alterations.

## No. 6848V

### Vertical hook-type toggle clamp with red handle

Galvanized and passivated.  
Stainless steel rivets, which run in hardened bushes.  
Tempered hook. Bearings are pre-lubricated. Ergonomic, oil-resistant handle with large grip surface and soft components.  
**Supplied complete with counter catch.**



Order no.	Size	F1	Weight
		[kN]	
94755	2	1,6	130
94763	3	3,2	340
94771	4	7,0	810

Also available in „STAINLESS STEEL“ version (no. 6848VNI).

## No. 6848VY

### Vertical hook-type toggle clamp with yellow handle



Order no.	Size	F1	Weight
		[kN]	
557176	2	1,6	130
557177	3	3,2	340
557178	4	7,0	810

Also available in „STAINLESS STEEL“ version (no. 6848VNIY).

## No. 6848VJ

### Vertical hook-type toggle clamp with orange handle



Order no.	Size	F1	Weight
		[kN]	
557408	2	1,6	130
557409	3	3,2	340
557411	4	7,0	810

Also available in „STAINLESS STEEL“ version (no. 6848VNIJ).

## No. 6848VE

### Vertical hook-type toggle clamp with blue handle



Order no.	Size	F1	Weight
		[kN]	
557721	2	1,6	130
557722	3	3,2	340
557723	4	7,0	810

Also available in „STAINLESS STEEL“ version (no. 6848VNIIE).

## No. 6848VG

Vertical hook-type toggle clamp with green handle



Order no.	Size	F1		Weight [g]
			[kN]	
557566	2		1,6	130
557567	3		3,2	340
557568	4		7,0	810

Also available in „STAINLESS STEEL“ version (no. 6848VNIG).

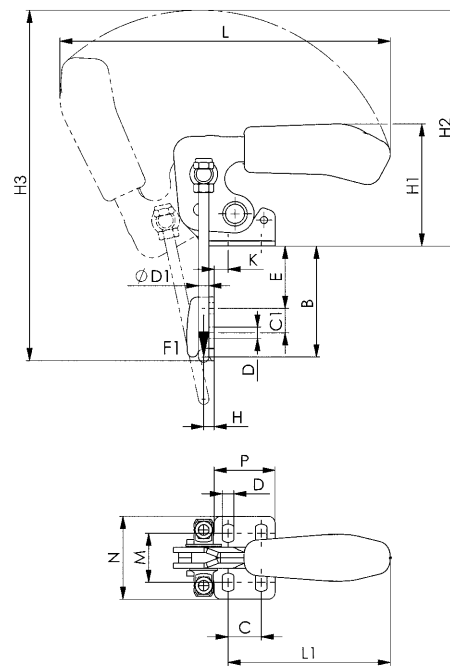
## No. 6848VT

Vertical hook-type toggle clamp with black handle



Order no.	Size	F1		Weight [g]
			[kN]	
558126	2		1,6	130
558127	3		3,2	340
558128	4		7,0	810

Also available in „STAINLESS STEEL“ version (no. 6848VNIT).



### Recommendations



No. 6847,  
page 56



No. 6848H,  
page 58



No. 6849PH,  
page 62

### Dimensions:

Size	B min.	B max.	C	C1	D	dia. D1	E min.	E max.	H	H1	H2	H3	K	L	L1	M	N	P
2	24,0	47	13	11	5,2	4	5,0	28	4,5	47,0	99	150	6,8	158	69	19,5-23,5	38,0	26,0
3	33,0	63	19	14	6,5	6	6,5	36	6,0	70,0	137	172	8,0	190	93	24,5-32,5	48,0	35,0
4	43,0	81	32	19	8,5	8	9,0	47	8,0	94,5	168	254	9,5	239	111	35,0-46,0	64,5	53,5

Subject to technical alterations.

## No. 6849PH

### Heavy hook type toggle clamp

for high retaining force.

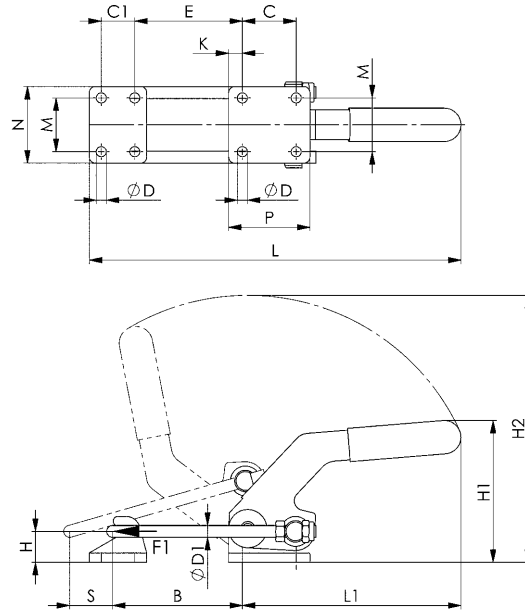
Pins hardened, ground and permanently-lubricated.

Circlips are used to retain pins in bearing bushes, and to centre the clamping pin. Foot, lever arm and catch are made of cast steel and blued. Stirrup, pins and nuts are heat-treated and zinc-plated. Handle grip is red, oil-resistant plastic.

**Supplied complete with counter catch.**



Order no.	Size	F1	Adjustm. distance	Weight [g]
		[kN]	[mm]	
93849	4	15	66	2830
93856	5	27	65	4020



#### Recommendations



No. 6847K,  
page 57



No. 6848H,  
page 58



No. 6811P,  
page 24

#### Dimensions:

Order no.	Size	B	C	C1	dia. D1	D	E	H	H1	H2	K	L	L1	M	N	P	S
93849	4	42-107	45	28	8,5	10	24-90	26	122	228	12,0	245-311	183	45	64	68	44
93856	5	49-114	57	35	10,5	12	28-93	32	146	285	12,5	313-378	238	57	82	86	47

Subject to technical alterations.



## THE ADVANTAGES OF THE SAFETY LATCH

The patented safety latch will hold the clamping arm of a manual clamp in both the closed and open positions, so that it is protected against unintentional opening or closing through vibration or if the clamp is mounted overhead.

**A clear argument for safety in the workplace!**



### No. 6800S

#### Vertical toggle clamp with red handle and safety latch

for open and clamped positions.

With open clamping arm and horizontal base.

Galvanized and passivated. Stainless steel rivets, which run in hardened bushes. Bearings are pre-lubricated.

Ergonomic, oil-resistant handle with large grip surface and soft components. Safety clamping piece with finger protection. Lock washer for the thrust bolt at the end of the clamping arm.

Complete with tempered, galvanized clamping screw no. 6890.



Order no.	Size	F1 [kN]	F2 [kN]	Clamping screw	Weight [g]
90134	2	1,0	1,2	M6x35	260
90142	3	1,4	2,5	M8x45	470
90159	4	2,0	3,0	M8x65	690

### No. 6800SY

#### Vertical toggle clamp with yellow handle and safety latch



Order no.	Size	F1 [kN]	F2 [kN]	Clamping screw	Weight [g]
557179	2	1,0	1,2	M6x35	260
557180	3	1,4	2,5	M8x45	470
557181	4	2,0	3,0	M8x65	690

### No. 6800SJ

#### Vertical toggle clamp with orange handle and safety latch



Order no.	Size	F1 [kN]	F2 [kN]	Clamping screw	Weight [g]
557417	2	1,0	1,2	M6x35	260
557418	3	1,4	2,5	M8x45	470
557419	4	2,0	3,0	M8x65	690

Subject to technical alterations.



## No. 6800SE

Vertical toggle clamp with blue handle and safety latch



Order no.	Size	F1 [kN]	F2 [kN]	Clamping screw	Weight [g]
557724	2	1,0	1,2	M6x35	260
557725	3	1,4	2,5	M8x45	470
557726	4	2,0	3,0	M8x65	690

## No. 6800SG

Vertical toggle clamp with green handle and safety latch



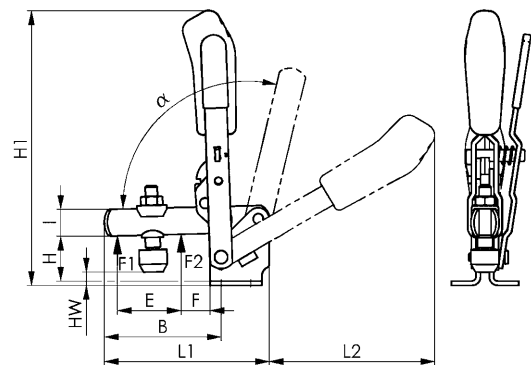
Order no.	Size	F1 [kN]	F2 [kN]	Clamping screw	Weight [g]
557569	2	1,0	1,2	M6x35	260
557570	3	1,4	2,5	M8x45	470
557571	4	2,0	3,0	M8x65	690

## No. 6800ST

Vertical toggle clamp with black handle and safety latch



Order no.	Size	F1 [kN]	F2 [kN]	Clamping screw	Weight [g]
558129	2	1,0	1,2	M6x35	260
558130	3	1,4	2,5	M8x45	470
558131	4	2,0	3,0	M8x65	690



CAD

### Recommendations



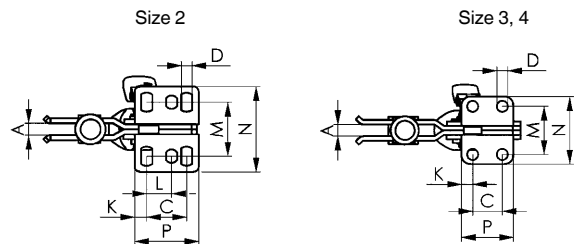
No. 6891,  
page 151



No. 6800,  
page 12



No. 6860,  
page 42



### Dimensions:

Size	A	B	C	D	E	F	H	H1	HW min.	HW max.	I	K	L	L1	L2	M	N	P	α	α*
2	6	52	20	5,5	25	11	23,0	139,5	-3	4,5	12	6,0	12,5	78	89	23-31	43	32	105°	60°
3	8	79	20	7,5	36	19	33,0	186,0	2	11,0	18	7,5	-	112	112	32,5	46	35	105°	60°
4	10	101	32	8,6	54	16	42,5	221,0	-6	22,5	20	13,0	-	141	130	45,0	64	53	105°	60°

\* The opening angle can be changed by pressing in a stop pin.

Subject to technical alterations.

## No. 6802S

### Vertical toggle clamp with red handle and safety latch

for open and clamped positions.

With open clamping arm and vertical base.

Galvanized and passivated. Stainless steel rivets, which run in hardened bushes. Bearings are pre-lubricated.

Ergonomic, oil-resistant handle with large grip surface and soft components. Safety clamping piece with finger protection. Lock washer for the thrust bolt at the end of the clamping arm.

Complete with tempered, galvanized clamping screw no. 6890.



Order no.	Size	F1 [kN]	F2 [kN]	Clamping screw	Weight [g]
90209	2	1,0	1,2	M6x35	175
90274	3	1,4	2,5	M8x45	470
90282	4	2,0	3,0	M8x65	690

## No. 6802SY

### Vertical toggle clamp with yellow handle and safety latch



Order no.	Size	F1 [kN]	F2 [kN]	Clamping screw	Weight [g]
557182	2	1,0	1,2	M6x35	175
557183	3	1,4	2,5	M8x45	470
557184	4	2,0	3,0	M8x65	690

## No. 6802SJ

### Vertical toggle clamp with orange handle and safety latch



Order no.	Size	F1 [kN]	F2 [kN]	Clamping screw	Weight [g]
557420	2	1,0	1,2	M6x35	175
557421	3	1,4	2,5	M8x45	470
557422	4	2,0	3,0	M8x65	690

## No. 6802SE

### Vertical toggle clamp with blue handle and safety latch



Order no.	Size	F1 [kN]	F2 [kN]	Clamping screw	Weight [g]
557735	2	1,0	1,2	M6x35	175
557736	3	1,4	2,5	M8x45	470
557737	4	2,0	3,0	M8x65	690

Subject to technical alterations.

## No. 6802SG

Vertical toggle clamp with green handle and safety latch



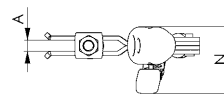
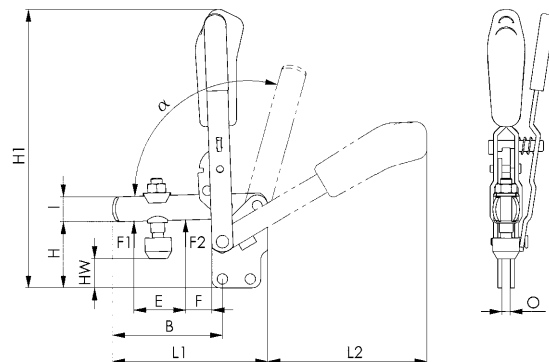
Order no.	Size	F1 [kN]	F2 [kN]	Clamping screw	Weight [g]
557572	2	1,0	1,2	M6x35	175
557573	3	1,4	2,5	M8x45	470
557574	4	2,0	3,0	M8x65	690

## No. 6802ST

Vertical toggle clamp with black handle and safety latch

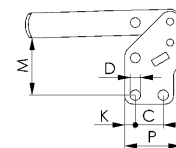
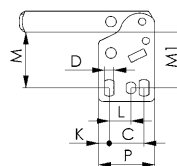


Order no.	Size	F1 [kN]	F2 [kN]	Clamping screw	Weight [g]
558136	2	1,0	1,2	M6x35	175
558137	3	1,4	2,5	M8x45	470
558138	4	2,0	3,0	M8x65	690



Size 2

Size 3, 4



### Recommendations



No. 6895,  
page 154



No. 6802,  
page 14



No. 6820A,  
page 124

### Dimensions:

Size	A	B	C	D	E	F	H	H1	HW min.	HW max.	I	K	L	L1	L2	M	M1	N	O	P	$\alpha$	$\alpha^*$
2	6	52	20	5,5	25	11	38	154	11,5	19,5	12	6,0	12,5	78	89	28,5-32	30	37,5	5	32	105°	60°
3	8	79	20	7,5	37	19	48	200	10,0	18,5	18	7,5	-	111	114	41,0	-	48,0	6	40	105°	60°
4	10	101	32	8,6	54	16	65	244	16,5	45,5	20	13,0	-	141	130	55,5	-	53,0	8	53	105°	60°

\* The opening angle can be changed by pressing in a stop pin.

Subject to technical alterations.

## No. 6803S

### Vertical toggle clamp with red handle and safety latch

for open and clamped positions.

With open clamping arm and angled base.

Galvanized and passivated. Stainless steel rivets, which run in hardened bushes. Bearings are pre-lubricated.

Ergonomic, oil-resistant handle with large grip surface and soft components. Safety clamping piece with finger protection. Lock washer for the thrust bolt at the end of the clamping arm.

Complete with tempered, galvanized clamping screw no. 6890.



Order no.	Size	F1 [kN]	F2 [kN]	Clamping screw	Weight [g]
90357	2	1,0	1,2	M6x35	250
90365	3	1,4	2,5	M8x45	535
90373	4	2,0	3,0	M8x65	750

## No. 6803SY

### Vertical toggle clamp with yellow handle and safety latch



Order no.	Size	F1 [kN]	F2 [kN]	Clamping screw	Weight [g]
557202	2	1,0	1,2	M6x35	250
557203	3	1,4	2,5	M8x45	535
557204	4	2,0	3,0	M8x65	750

## No. 6803SJ

### Vertical toggle clamp with orange handle and safety latch



Order no.	Size	F1 [kN]	F2 [kN]	Clamping screw	Weight [g]
557423	2	1,0	1,2	M6x35	250
557424	3	1,4	2,5	M8x45	535
557425	4	2,0	3,0	M8x65	750

## No. 6803SE

### Vertical toggle clamp with blue handle and safety latch



Order no.	Size	F1 [kN]	F2 [kN]	Clamping screw	Weight [g]
557738	2	1,0	1,2	M6x35	250
557739	3	1,4	2,5	M8x45	535
557740	4	2,0	3,0	M8x65	750

Subject to technical alterations.

## No. 6803SG

Vertical toggle clamp with green handle and safety latch



Order no.	Size	F1 [kN]	F2 [kN]	Clamping screw	Weight [g]
557575	2	1,0	1,2	M6x35	250
557576	3	1,4	2,5	M8x45	535
557577	4	2,0	3,0	M8x65	750

## No. 6803ST

Vertical toggle clamp with black handle and safety latch



Order no.	Size	F1 [kN]	F2 [kN]	Clamping screw	Weight [g]
558149	2	1,0	1,2	M6x35	250
558150	3	1,4	2,5	M8x45	535
558151	4	2,0	3,0	M8x65	750

### Recommendations



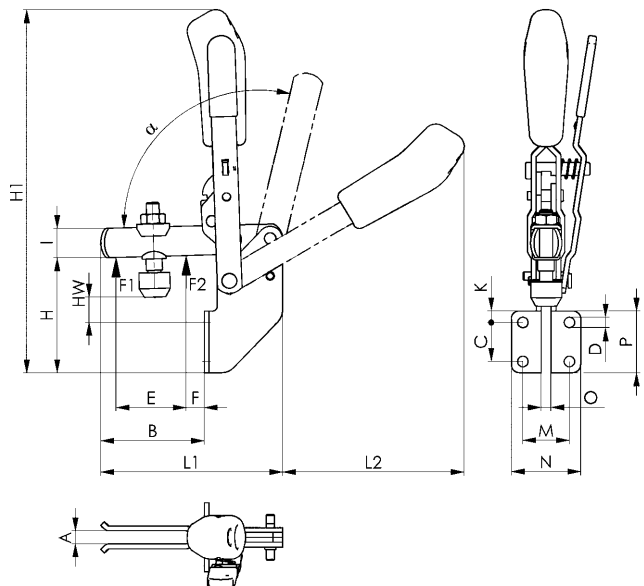
No. 6896,  
page 153



No. 6803,  
page 16



No. 6821A,  
page 125



CAD

### Dimensions:

Size	A	B	C	D	E	F	H	H1	HW min.	HW max.	I	K	L1	L2	M	N	O	P	$\alpha$	$\alpha^*$
2	6	40	20	5,5	25	9	61	180	2	11	12	6	78	63	25,5	38	5	32	105°	60°
3	8	65	24	6,5	43	11	71	243	6	18	18	7	112	111	28,5	43	6	38	105°	60°
4	10	84	32	8,5	50	17	102	280	11	40	20	54	140	129	32,0	52	8	96	105°	60°

\* The opening angle can be changed by pressing in a stop pin.

Subject to technical alterations.

## No. 6804S

### Vertical toggle clamp with red handle and safety latch

for open and clamped positions.

With solid clamping arm and horizontal base.

Galvanized and passivated. Stainless steel rivets, which run in hardened bushes. Bearings are pre-lubricated.

Ergonomic, oil-resistant handle with large grip surface and soft components. Safety clamping piece with finger protection.

Complete with tempered, galvanized clamping screw no. 6890 and sleeve to weld on.



Order no.	Size	F1 [kN]	F2 [kN]	Clamping screw	Weight [g]
90399	3	1,4	2,5	M8x45	470
90407	4	2,0	3,0	M8x65	690

## No. 6804SY

### Vertical toggle clamp with yellow handle and safety latch



Order no.	Size	F1 [kN]	F2 [kN]	Clamping screw	Weight [g]
557205	3	1,4	2,5	M8x45	470

## No. 6804SJ

### Vertical toggle clamp with orange handle and safety latch



Order no.	Size	F1 [kN]	F2 [kN]	Clamping screw	Weight [g]
557426	3	1,4	2,5	M8x45	470

## No. 6804SE

### Vertical toggle clamp with blue handle and safety latch



Order no.	Size	F1 [kN]	F2 [kN]	Clamping screw	Weight [g]
557746	3	1,4	2,5	M8x45	470

Subject to technical alterations.

## No. 6804SG

Vertical toggle clamp with green handle and safety latch



Order no.	Size	F1 [kN]	F2 [kN]	Clamping screw	Weight [g]
557578	3	1,4	2,5	M8x45	470

## No. 6804ST

Vertical toggle clamp with black handle and safety latch



Order no.	Size	F1 [kN]	F2 [kN]	Clamping screw	Weight [g]
558155	3	1,4	2,5	M8x45	470

### Recommendations



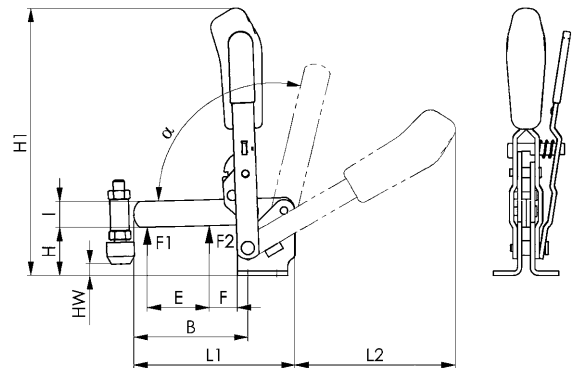
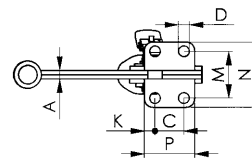
No. 6886,  
page 151



No. 6804,  
page 18



No. 6834S,  
page 76



### Dimensions:

Size	A	B	C	D	E	F	H	H1	HW min.	HW max.	I	K	L1	L2	M	N	P	$\alpha$	$\alpha^*$
3	6	81	20	7,1	43	19	48,0	186	0	12	18	7,5	112	112	32	46	35	105°	60°
4	8	101	32	8,5	61	16	42,5	220	-8	21	20	13,0	140	130	45	64	53	105°	60°

\* The opening angle can be changed by pressing in a stop pin.

Subject to technical alterations.

## No. 6830S

### Horizontal toggle clamp with red handle and safety latch

for open and clamped positions.

With open clamping arm and horizontal base.

Galvanized and passivated. Stainless steel rivets which run in hardened bushes, bearings are lubricated.

Ergonomic, oil-resistant handle with large grip surface and soft components. Lock washer for the thrust bolt at the end of the clamping arm.

Complete with tempered, galvanized clamping screw no. 6890.



Order no.	Size	F1 [kN]	F2 [kN]	Clamping screw	Weight [g]
92650	3	1,8	2,5	M8x45	390
93112	4	2,0	3,0	M8x65	800

#### Note:

For suitable sensor monitor for size 3 see no. 6897S.

## No. 6830SY

### Horizontal toggle clamp with yellow handle and safety latch



Order no.	Size	F1 [kN]	F2 [kN]	Clamping screw	Weight [g]
557206	3	1,8	2,5	M8x45	390
557207	4	2,0	3,0	M8x65	800

## No. 6830SJ

### Horizontal toggle clamp with orange handle and safety latch



Order no.	Size	F1 [kN]	F2 [kN]	Clamping screw	Weight [g]
557427	3	1,8	2,5	M8x45	390
557428	4	2,0	3,0	M8x65	800

## No. 6830SE

### Horizontal toggle clamp with blue handle and safety latch



Order no.	Size	F1 [kN]	F2 [kN]	Clamping screw	Weight [g]
557747	3	1,8	2,5	M8x45	390
557748	4	2,0	3,0	M8x65	800



## No. 6830SG

Horizontal toggle clamp with green handle and safety latch



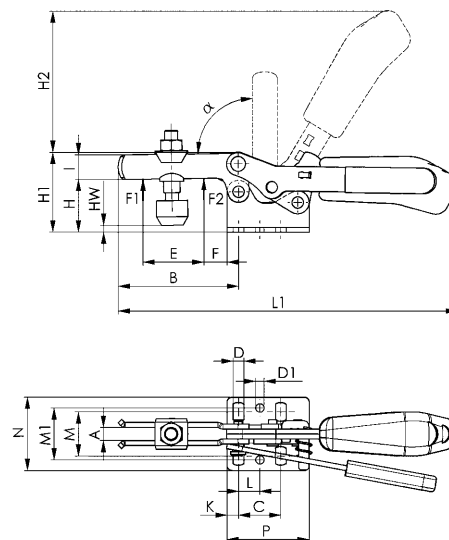
Order no.	Size	F1 [kN]	F2 [kN]	Clamping screw	Weight [g]
557579	3	1,8	2,5	M8x45	390
557580	4	2,0	3,0	M8x65	800

## No. 6830ST

Horizontal toggle clamp with black handle and safety latch



Order no.	Size	F1 [kN]	F2 [kN]	Clamping screw	Weight [g]
558156	3	1,8	2,5	M8x45	390
558157	4	2,0	3,0	M8x65	800



### Dimensions:

Size	A	B	C	D	D1	E	F	H	H1	H2	HW min.	HW max.	I	K	L	L1	M	M1	N	P	$\alpha$
3	8	73	25,7	6,5	5,1	38	14	32	48,5	86,0	-2	9	15	7	13,0	206	22,0-31,8	31,6	45,5	50	90°
4	10	113	41,0	8,5	8,5	63	27	45	75,0	126,5	-4	24	20	8	20,5	287	29,0-43,0	43,0	58	57	90°

Subject to technical alterations.

## No. 6832S

### Horizontal toggle clamp with red handle and safety latch

for open and clamped positions.  
With open clamping arm and vertical base.

Galvanized and passivated. Stainless steel rivets, which run in hardened bushes. Bearings are pre-lubricated.

Ergonomic, oil-resistant handle with large grip surface and soft components. Lock washer for the thrust bolt at the end of the clamping arm.

Complete with tempered, galvanized clamping screw no. 6890.



Order no.	Size	F1 [kN]	F2 [kN]	Clamping screw	Weight [g]
93195	3	1,8	2,5	M8x45	390
93260	4	2,0	3,0	M8x65	800

## No. 6832SY

### Horizontal toggle clamp with yellow handle and safety latch



Order no.	Size	F1 [kN]	F2 [kN]	Clamping screw	Weight [g]
557209	3	1,8	2,5	M8x45	390
557210	4	2,0	3,0	M8x65	800

## No. 6832SJ

### Horizontal toggle clamp with orange handle and safety latch



Order no.	Size	F1 [kN]	F2 [kN]	Clamping screw	Weight [g]
557429	3	1,8	2,5	M8x45	390
557430	4	2,0	3,0	M8x65	800

## No. 6832SE

### Horizontal toggle clamp with blue handle and safety latch



Order no.	Size	F1 [kN]	F2 [kN]	Clamping screw	Weight [g]
557749	3	1,8	2,5	M8x45	390
557750	4	2,0	3,0	M8x65	800

## No. 6832SG

Horizontal toggle clamp with green handle and safety latch



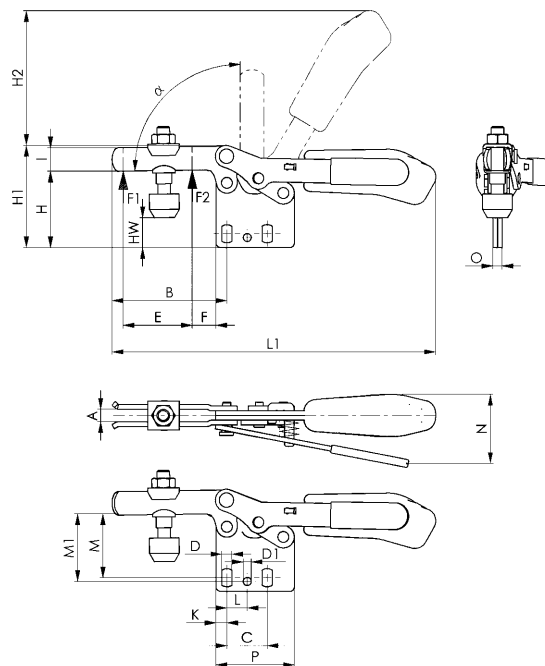
Order no.	Size	F1 [kN]	F2 [kN]	Clamping screw	Weight [g]
557581	3	1,8	2,5	M8x45	390
557582	4	2,0	3,0	M8x65	800

## No. 6832ST

Horizontal toggle clamp with black handle and safety latch



Order no.	Size	F1 [kN]	F2 [kN]	Clamping screw	Weight [g]
558158	3	1,8	2,5	M8x45	390
558159	4	2,0	3,0	M8x65	800



### Dimensions:

Size	A	B	C	D	D1	E	F	H	H1	H2	HW min.	HW max.	I	K	L	L1	M	M1	N	O	P	$\alpha$
3	8	73	25,7	6,5	5,1	38	14	49,0	65	86	14,5	26	15	7	13,0	206	37,5-42,5	42	48	6	50	90°
4	10	113	41,0	8,5	8,5	63	27	66,5	97	115	17,5	46	20	8	20,5	287	52,0-59,0	59	51	8	57	90°

Subject to technical alterations.

## No. 6834S

### Horizontal toggle clamp with red handle and safety latch

for open and clamped positions.

With solid clamping arm and horizontal base.

Galvanized and passivated. Stainless steel rivets, which run in hardened bushes. Bearings are pre-lubricated.

Ergonomic, oil-resistant handle with large grip surface and soft components.

Complete with tempered, galvanized clamping screw no. 6885 and sleeve to weld on.



Order no.	Size	F1 [kN]	F2 [kN]	Clamping screw	Weight [g]
93534	4	2	3	M8x65	800

## No. 6834SY

### Horizontal toggle clamp with yellow handle and safety latch



Order no.	Size	F1 [kN]	F2 [kN]	Clamping screw	Weight [g]
557211	4	2	3	M8x65	800

## No. 6834SJ

### Horizontal toggle clamp with orange handle and safety latch



Order no.	Size	F1 [kN]	F2 [kN]	Clamping screw	Weight [g]
557431	4	2	3	M8x65	800

## No. 6834SE

### Horizontal toggle clamp with blue handle and safety latch



Order no.	Size	F1 [kN]	F2 [kN]	Clamping screw	Weight [g]
557751	4	2	3	M8x65	800

Subject to technical alterations.

## No. 6834SG

Horizontal toggle clamp with green handle and safety latch



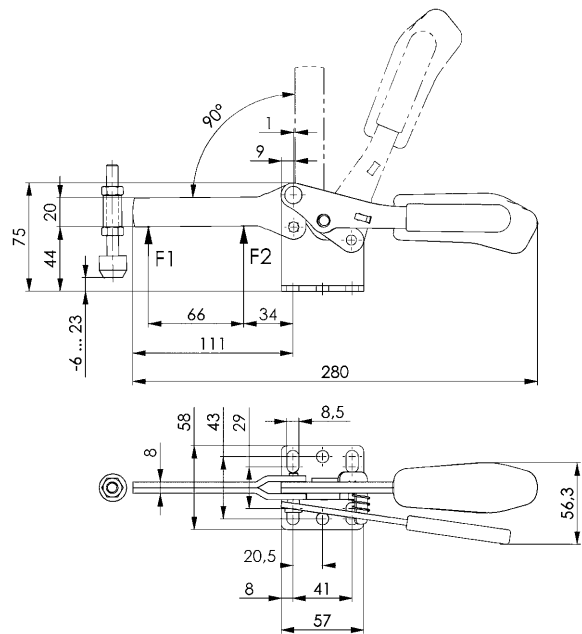
Order no.	Size	F1 [kN]	F2 [kN]	Clamping screw	Weight [g]
<b>557583</b>	4	2	3	M8x65	800

## No. 6834ST

Horizontal toggle clamp with black handle and safety latch



Order no.	Size	F1 [kN]	F2 [kN]	Clamping screw	Weight [g]
<b>558160</b>	4	2	3	M8x65	800



CAD

### Recommendations



No. 6886,  
page 151



No. 6834,  
page 38



No. 6804S,  
page 70

## No. 6840S

### Push-pull type toggle clamp with safety latch

For open and clamped positions.

Without angle base. Push and pull-clamping (equal operation of rod and lever).

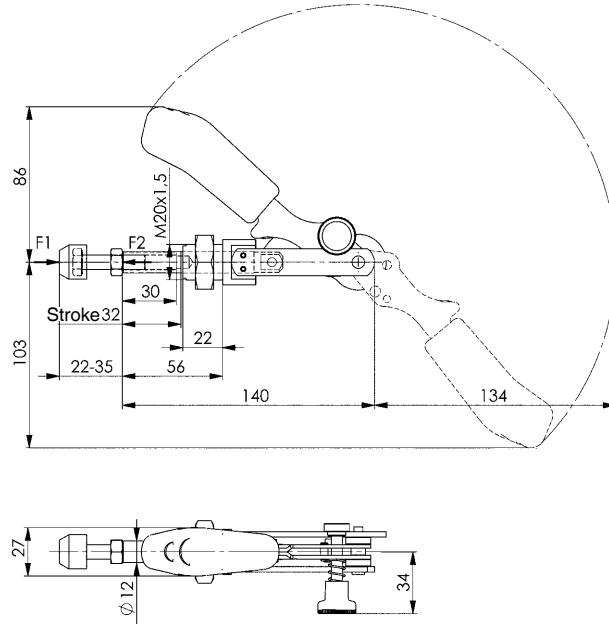
Long rod-guide with attaching thread and nut. Rivets made of stainless steel, lever-parts and rod of tempered steel. Bearings are pre-lubricated.

Ergonomic, oil-resistant handle with large grip surface and soft components.

Complete with tempered, galvanized clamping screw no. 6880.



Order no.	Size	F1 [kN]	F2 [kN]	Clamping screw	Weight [g]
92619	3	2,5	2,5	M8x35	402



### Recommendations



No. 6843,  
page 50



No. 6844,  
page 48



No. 6800S,  
page 64

Subject to technical alterations.

## No. 6847S

### Hook type toggle clamp with safety latch

Lock when closed.

Galvanized and passivated. Case-hardened, pre-lubricated bearing bushes. Rivet is stainless steel. Hook and clamping sleeve tempered. Handle made of red, oil-resistant plastic.



CAD

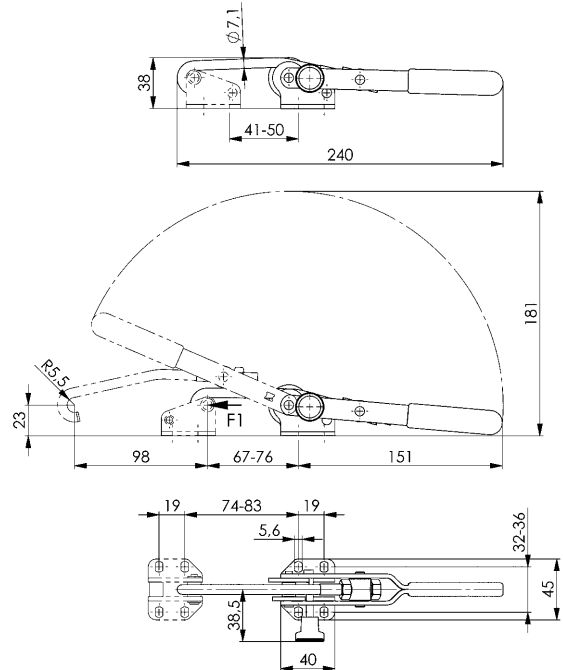
Order no.	Size	F1 [kN]	Weight [g]
93666	3	3	295

#### Note:

The engagement height of 23 mm must be observed to ensure secure latching.

#### On request:

A „stainless steel“ version is available.



#### Recommendations



No. 6847G,  
page 56



No. 6847,  
page 56



No. 6847SU,  
page 79

## No. 6847SU

### Hook type toggle clamp with safety latch

U-shackle, locks when closed.

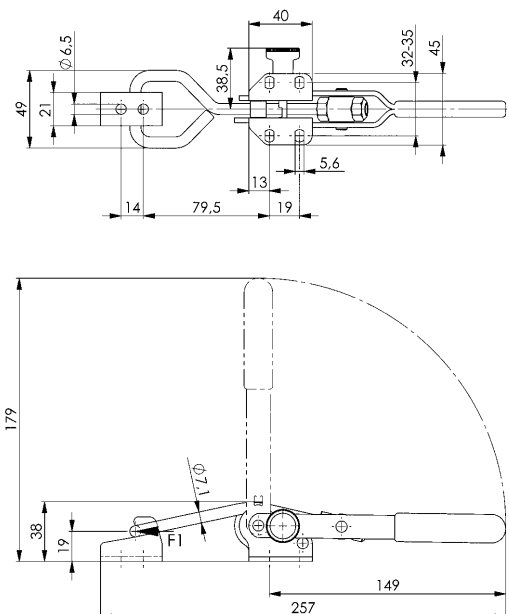
Galvanized and passivated. Case-hardened, pre-lubricated bearing bushes. Stainless steel rivets. Tempered shackle and clamping sleeve. Handle made of red, oil-resistant plastic.

Supplied complete with counter catch.



CAD

Order no.	Size	F1 [kN]	Weight [g]
91470	3	3	295



#### Recommendations



No. 6848H,  
page 58



No. 6848V,  
page 60



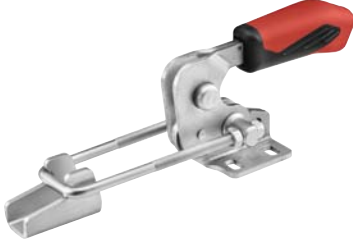
No. 6849PH,  
page 62

## No. 6848HS

### Horizontal hook-type toggle clamp with red handle and safety latch

Galvanized and passivated. Stainless steel rivets, which run in hardened bushes. Tempered hook. Bearings are pre-lubricated. Ergonomic, oil-resistant handle with large grip surface and soft components.

Supplied complete with counter catch.



Order no.	Size	F1	Weight
		[kN]	[g]
92692	4	7,0	850

Also available in „STAINLESS STEEL“ version (no. 6848HSNI).

## No. 6848SY

### Horizontal hook-type toggle clamp with yellow handle and safety latch



Order no.	Size	F1	Weight
		[kN]	[g]
557212	4	7,0	850

Also available in „STAINLESS STEEL“ version (no. 6848HSNIY).

## No. 6848HSJ

### Horizontal hook-type toggle clamp with orange handle and safety latch

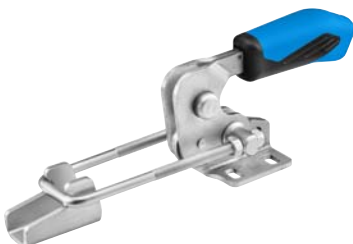


Order no.	Size	F1	Weight
		[kN]	[g]
557432	4	7,0	850

Also available in „STAINLESS STEEL“ version (no. 6848HSNIJ).

## No. 6848HSE

### Horizontal hook-type toggle clamp with blue handle and safety latch



Order no.	Size	F1	Weight
		[kN]	[g]
557752	4	7,0	850

Also available in „STAINLESS STEEL“ version (no. 6848HSNIE).

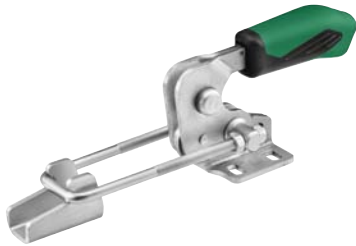


## No. 6848HSG

Horizontal hook-type toggle clamp with green handle and safety latch

Order no.	Size	F1 [kN]	Weight [g]
557584	4	7,0	850

Also available in „STAINLESS STEEL“ version (no. 6848HSNIG).

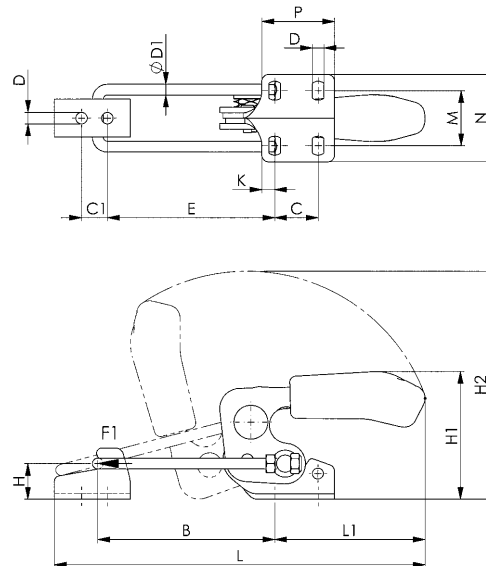
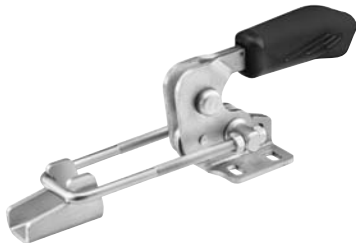


## No. 6848HST

Horizontal hook-type toggle clamp with black handle and safety latch

Order no.	Size	F1 [kN]	Weight [g]
558161	4	7,0	850

Also available in „STAINLESS STEEL“ version (no. 6848HSNIT).



CAD

### Recommendations



No. 6847SU,  
page 79



No. 6847S,  
page 79



No. 6848GH,  
page 155

### Dimensions:

Size	B min.	B max.	C	C1	D	dia. D1	E min.	E max.	H	H1	H2	K	L min.	L max.	L1	M	N	P
4	66	130	32	19	8,5	8	59	123	26	94	168	9,5	209	273	111	35-46	64,3	53,5

Subject to technical alterations.

Toggle clamp made from 1.4301 / V2A or 1.4567 for special-purpose applications - in the chemical and food industries for example. Especially well suited to applications on machines and devices that are subject to hygiene regulations or are used outdoors under unfavourable weather conditions or in corrosive environments.

## THE ADVANTAGES OF STAINLESS STEEL:

Primary positive properties of the material are its resistance to corrosion due to humidity, water or other external influences and its resistance to acids. In addition, the material exhibits antimagnetic properties. Additional finishing work such as painting or galvanizing, either before or after installation or use, is generally not required. This saves time and eliminates additional costs.



**INOX  
STAINLESS STEEL**

### No. 6800NI

#### Vertical toggle clamp with red handle with open clamping arm and horizontal base.

Stainless steel, polished. In sizes 2 to 4, rivets run in bearing bushes. Bearings are pre-lubricated. Ergonomic, oil-resistant handle with large grip surface and soft components.

Supplied complete with stainless clamping screw no. 6890NI.

Also suitable for use in the food industry.

Order no.	Size	F1 [kN]	F2 [kN]	Clamping screw	Weight [g]
95000	0	0,5	0,7	M4x25	60
95026	1	0,6	1,1	M5x30	105
95042	2	0,8	1,2	M6x35	175
95067	3	1,2	2,5	M8x45	410
95083	4	1,7	3,0	M8x65	630



### No. 6800NIY

#### Vertical toggle clamp with yellow handle



Order no.	Size	F1 [kN]	F2 [kN]	Clamping screw	Weight [g]
557213	0	0,5	0,7	M4x25	60
557214	1	0,6	1,1	M5x30	105
557215	2	0,8	1,2	M6x35	175
557216	3	1,2	2,5	M8x45	410
557217	4	1,7	3,0	M8x65	630

### No. 6800NIJ

#### Vertical toggle clamp with orange handle



Order no.	Size	F1 [kN]	F2 [kN]	Clamping screw	Weight [g]
557433	0	0,5	0,7	M4x25	60
557434	1	0,6	1,1	M5x30	105
557435	2	0,8	1,2	M6x35	175
557436	3	1,2	2,5	M8x45	410
557437	4	1,7	3,0	M8x65	630

Subject to technical alterations.

## No. 6800NIE

Vertical toggle clamp with blue handle



Order no.	Size	F1 [kN]	F2 [kN]	Clamping screw	Weight [g]
557753	0	0,5	0,7	M4x25	60
557754	1	0,6	1,1	M5x30	105
557755	2	0,8	1,2	M6x35	175
557756	3	1,2	2,5	M8x45	410
557757	4	1,7	3,0	M8x65	630

## No. 6800NIG

Vertical toggle clamp with green handle



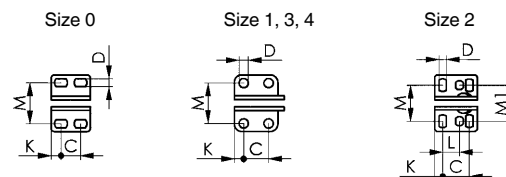
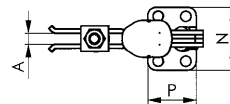
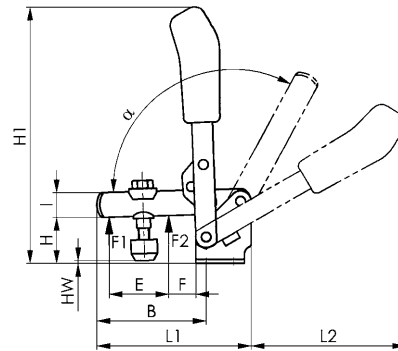
Order no.	Size	F1 [kN]	F2 [kN]	Clamping screw	Weight [g]
557586	0	0,5	0,7	M4x25	60
557587	1	0,6	1,1	M5x30	105
557588	2	0,8	1,2	M6x35	175
557589	3	1,2	2,5	M8x45	410
557590	4	1,7	3,0	M8x65	630

## No. 6800NIT

Vertical toggle clamp with black handle



Order no.	Size	F1 [kN]	F2 [kN]	Clamping screw	Weight [g]
558164	0	0,5	0,7	M4x25	60
558165	1	0,6	1,1	M5x30	105
558166	2	0,8	1,2	M6x35	175
558167	3	1,2	2,5	M8x45	410
558168	4	1,7	3,0	M8x65	630



### Dimensions:

Size	A	B	C	D	E	F	H	H1	HW min.	HW max.	I	K	L	L1	L2	M	M1	N	P	α	α*
0	4	31	8,5-13,5	4,5	14,0	5,5	18,0	81	-1,5	3,5	8	5,5	-	49	50	23	-	32	22	95°	-
1	5	39	16,0	4,5	18,0	6,0	19,0	98	-4,0	2,0	10	5,5	-	61	58	22-26	-	34	27	95°	-
2	6	52	20,0	5,5	25,0	11,0	23,0	129	-3,3	4,5	12	6,0	12,5	78	80	23-31	27	43	32	105°	60°
3	8	79	20,0	7,5	37,0	19,0	33,0	186	3,0	10,5	18	7,5	-	112	112	32	-	46	35	105°	60°
4	10	101	32,0	8,6	54,0	16,0	42,5	221	-6,0	19,5	20	13,0	-	141	130	45	-	64	53	105°	60°

\* The opening angle can be changed by pressing in a stop pin.

Subject to technical alterations.

## No. 6803NI

### Vertical toggle clamp with red handle

with open clamping arm and angle base.

Stainless steel, polished. Rivets running in greased bushes. Ergonomic, oil-resistant handle with large grip surface and soft components.

Supplied complete with stainless clamping screw no. 6890NI.

Also suitable for use in the food industry.



Order no.	Size	F1 [kN]	F2 [kN]	Clamping screw	Weight [g]
95133	2	0,8	1,2	M6x35	220

## No. 6803NIY

### Vertical toggle clamp with yellow handle



Order no.	Size	F1 [kN]	F2 [kN]	Clamping screw	Weight [g]
557273	2	0,8	1,2	M6x35	220

## No. 6803NIJ

### Vertical toggle clamp with orange handle



Order no.	Size	F1 [kN]	F2 [kN]	Clamping screw	Weight [g]
557438	2	0,8	1,2	M6x35	220

## No. 6803NIE

### Vertical toggle clamp with blue handle



Order no.	Size	F1 [kN]	F2 [kN]	Clamping screw	Weight [g]
557759	2	0,8	1,2	M6x35	220

Subject to technical alterations.

## No. 6803NIG

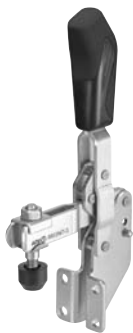
Vertical toggle clamp with green handle



Order no.	Size	F1 [kN]	F2 [kN]	Clamping screw	Weight [g]
557595	2	0,8	1,2	M6x35	220

## No. 6803NIT

Vertical toggle clamp with black handle



Order no.	Size	F1 [kN]	F2 [kN]	Clamping screw	Weight [g]
558169	2	0,8	1,2	M6x35	220

### Recommendations



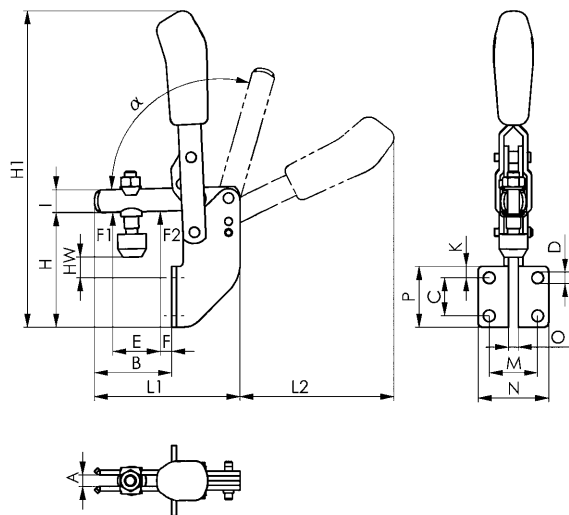
No. 6847NI,  
page 94



No. 6848VNI,  
page 100



No. 6844NI,  
page 92



CAD

### Dimensions:

Size	A	B	C	D	E	F	H	H1	HW min.	HW max.	I	K	L1	L2	M	N	O	P	$\alpha$	$\alpha^*$
2	6	41	20	6,1	25	6	60	167	8	15	12	6	77	81	25,5	37	5	32	105°	60°

\* The opening angle can be changed by pressing in a stop pin.

Subject to technical alterations.

## No. 6830NI

### Horizontal toggle clamp with red handle

with open clamping arm and horizontal base.

Stainless steel, polished. In sizes 2 to 5, rivets run in bearing bushes. Bearings are pre-lubricated.

Ergonomic, oil-resistant handle with large grip surface and soft components.

Supplied complete with stainless clamping screw no. 6890NI.

Also suitable for use in the food industry.



Order no.	Size	F1 [kN]	F2 [kN]	Clamping screw	Weight [g]
95141	0	0,25	0,4	M4x25	35
95166	1	0,80	1,1	M5x30	105
95182	2	1,00	1,2	M6x35	185
95208	3	1,80	2,5	M8x45	320
95224	4	2,00	3,0	M8x65	700

### Note:

For suitable sensor monitor for size 3 see no. 6897S.

## No. 6830NIY

### Horizontal toggle clamp with yellow handle



Order no.	Size	F1 [kN]	F2 [kN]	Clamping screw	Weight [g]
557274	0	0,25	0,4	M4x25	35
557275	1	0,80	1,1	M5x30	105
557276	2	1,00	1,2	M6x35	185
557277	3	1,80	2,5	M8x45	320
557278	4	2,00	3,0	M8x65	700

## No. 6830NIJ

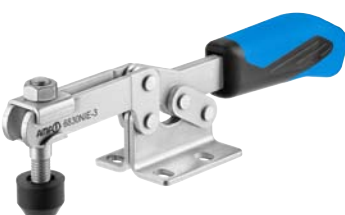
### Horizontal toggle clamp with orange handle



Order no.	Size	F1 [kN]	F2 [kN]	Clamping screw	Weight [g]
557439	0	0,25	0,4	M4x25	35
557440	1	0,80	1,1	M5x30	105
557441	2	1,00	1,2	M6x35	185
557442	3	1,80	2,5	M8x45	320
557443	4	2,00	3,0	M8x65	700

## No. 6830NIE

### Horizontal toggle clamp with blue handle



Order no.	Size	F1 [kN]	F2 [kN]	Clamping screw	Weight [g]
557760	0	0,25	0,4	M4x25	35
557761	1	0,80	1,1	M5x30	105
557762	2	1,00	1,2	M6x35	185
557763	3	1,80	2,5	M8x45	320
557764	4	2,00	3,0	M8x65	700

Subject to technical alterations.

## No. 6830NIG

Horizontal toggle clamp with green handle



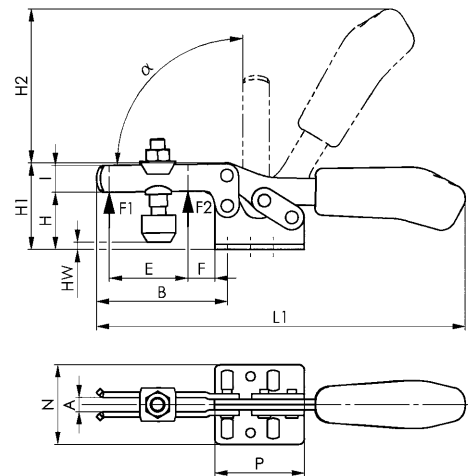
Order no.	Size	F1 [kN]	F2 [kN]	Clamping screw	Weight [g]
557596	0	0,25	0,4	M4x25	35
557597	1	0,80	1,1	M5x30	105
557598	2	1,00	1,2	M6x35	185
557599	3	1,80	2,5	M8x45	320
557600	4	2,00	3,0	M8x65	700

## No. 6830NIT

Horizontal toggle clamp with black handle



Order no.	Size	F1 [kN]	F2 [kN]	Clamping screw	Weight [g]
558170	0	0,25	0,4	M4x25	35
558171	1	0,80	1,1	M5x30	105
558172	2	1,00	1,2	M6x35	185
558173	3	1,80	2,5	M8x45	320
558174	4	2,00	3,0	M8x65	700



### Recommendations



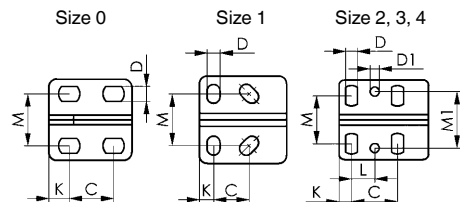
No. 6897S, page 146



No. 6800NI, page 82



No. 6847KNI, page 95



### Dimensions:

Size	A	B	C	D	D1	E	F	H	H1	H2	HW min.	HW max.	I	K	L	L1	M	M1	N	P	α
0	4	28	11,5-15,5	4,6	-	9,0	5	14,5	23,0	34	-5,0	0,6	7,5	6,25	-	79	16,0	-	25,0	25,5	90°
1	5	42	13,3-14,7	5,2	-	18,6	8	19,0	30,0	49	-4,0	2,0	10,0	5,50	-	120	18,0-21,5	-	34,0	34,0	90°
2	6	64	26,0	5,6	5,6	32,0	16	24,0	45,0	68	-1,6	5,0	13,0	6,00	12,7	162	19,5-29,5	28,5	42,0	38,0	90°
3	8	73	25,7	6,5	5,1	36,0	14	32,0	48,5	86	-2,0	9,0	15,0	7,00	13,0	206	22,0-31,8	31,6	44,5	50,0	90°
4	10	113	41,0	8,5	8,5	63,0	27	45,0	75,0	126	-4,0	24,0	20,0	8,00	20,5	287	29,0-43,0	43,0	58,0	57,0	90°

Subject to technical alterations.

## No. 68300NI

### Horizontal toggle clamp plus with red handle

with increased retaining forces, open clamp arm and horizontal base. Stainless steel, polished. Bearings positioned are lubricated. Ergonomic, oil-resistant handle with large grip surface and soft components. Safety clamping piece with retainer for the clamping screw at the end of the clamping arm.

Supplied complete with stainless clamping screw no. 68301NI. Also suitable for use in the food industry.



**NEW!**

**NEW!**

Order no.	Size	F1 [kN]	F2 [kN]	Clamping screw	Weight [g]
560013	1	1,1	1,7	M5 x 35	150
555175	2	1,6	3,0	M6 x 50	450
558985	3	2,5	4,0	M8 x 58	600
555176	4	3,5	8,0	M10 x 76	1250

## No. 68300NIY

### Horizontal toggle clamp plus with yellow handle



**NEW!**

**NEW!**

Order no.	Size	F1 [kN]	F2 [kN]	Clamping screw	Weight [g]
560157	1	1,1	1,7	M5 x 35	150
557279	2	1,6	3,0	M6 x 50	450
560158	3	2,5	4,0	M8 x 58	600
557280	4	3,5	8,0	M10 x 76	1250

## No. 68300NIJ

### Horizontal toggle clamp plus with orange handle



**NEW!**

**NEW!**

Order no.	Size	F1 [kN]	F2 [kN]	Clamping screw	Weight [g]
560163	1	1,1	1,7	M5 x 35	150
557444	2	1,6	3,0	M6 x 50	450
560164	3	2,5	4,0	M8 x 58	600
557445	4	3,5	8,0	M10 x 76	1250

## No. 68300NIE

### Horizontal toggle clamp plus with blue handle



**NEW!**

**NEW!**

Order no.	Size	F1 [kN]	F2 [kN]	Clamping screw	Weight [g]
560159	1	1,1	1,7	M5 x 35	150
557765	2	1,6	3,0	M6 x 50	450
560160	3	2,5	4,0	M8 x 58	600
557766	4	3,5	8,0	M10 x 76	1250

Subject to technical alterations.



## No. 68300NIG

Horizontal toggle clamp plus with green handle



**NEW!**

**NEW!**

Order no.	Size	F1 [kN]	F2 [kN]	Clamping screw	Weight [g]
560161	1	1,1	1,7	M5 x 35	150
557601	2	1,6	3,0	M6 x 50	450
560162	3	2,5	4,0	M8 x 58	600
557602	4	3,5	8,0	M10 x 76	1250

## No. 68300NIT

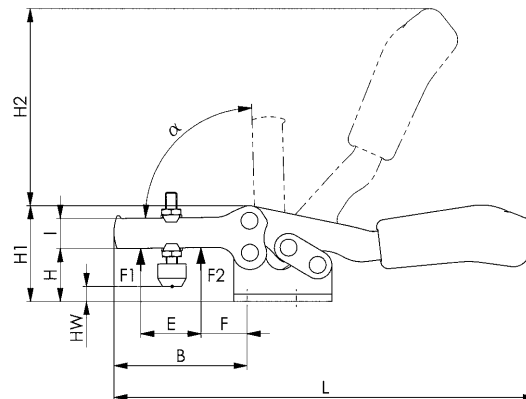
Horizontal toggle clamp plus with black handle



**NEW!**

**NEW!**

Order no.	Size	F1 [kN]	F2 [kN]	Clamping screw	Weight [g]
560165	1	1,1	1,7	M5 x 35	150
558175	2	1,6	3,0	M6 x 50	450
560166	3	2,5	4,0	M8 x 58	600
558176	4	3,5	8,0	M10 x 76	1250



CAD

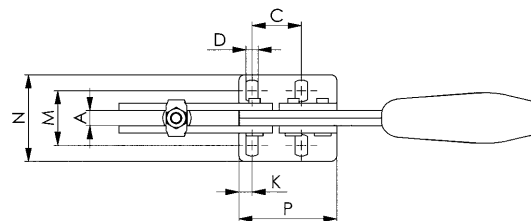
### Recommendations



No. 68301NI,  
page 148



No. 6800NI,  
page 82



### Dimensions:

Size	A	B	C	D	E	F	H	H1	H2	HW min.	HW max.	I	K	L	M	N	P	$\alpha$
1	5	44	13,5	4,3	20,5	15,0	19,6	37	52	1	10,2	12	6,0	125	14,7 - 19,5	27,2	40	80°
2	8	71	26,0	6,5	39,0	14,0	28,0	51	110	-1	12,0	16	7,0	224	23,5 - 34,0	46,0	52	90°
3	8	74	26,2	6,5	41,5	20,6	35,0	61	112	1	13,0	18	6,5	243	27,5 - 38,0	49,2	56	90°
4	10	120	41,5	8,6	69,0	23,0	41,0	77	135	-2	17,5	24	10,5	329	34,5 - 45,0	60,0	76	90°

Subject to technical alterations.

## No. 6841NI

### Push-pull type toggle clamp with red handle

with small angle base. For push- and pull-clamping. (Equal operation of rod and lever). Stainless steel, polished. Long rod-guide with attaching thread and nut. Bush for size 3. Bearings pre-lubricated. Lever can be set to any angle relative to base. Ergonomic, oil-resistant handle with large grip surface and soft components.

Supplied complete with stainless clamping screw no. 6880NI.

Also suitable for use in the food industry.



Order no.	Size	F1 [kN]	F2 [kN]	Clamping screw	Weight [g]
95265	0	0,8	0,8	M4x20	65
95299	3	2,5	2,5	M8x35	445

## No. 6841NIY

### Push-pull type toggle clamp with yellow handle



Order no.	Size	F1 [kN]	F2 [kN]	Clamping screw	Weight [g]
557288	0	0,8	0,8	M4x20	65

## No. 6841NIJ

### Push-pull type toggle clamp with orange handle



Order no.	Size	F1 [kN]	F2 [kN]	Clamping screw	Weight [g]
557453	0	0,8	0,8	M4x20	65

## No. 6841NIE

### Push-pull type toggle clamp with blue handle



Order no.	Size	F1 [kN]	F2 [kN]	Clamping screw	Weight [g]
557774	0	0,8	0,8	M4x20	65

Subject to technical alterations.

## No. 6841NIG

Push-pull type toggle clamp with green handle



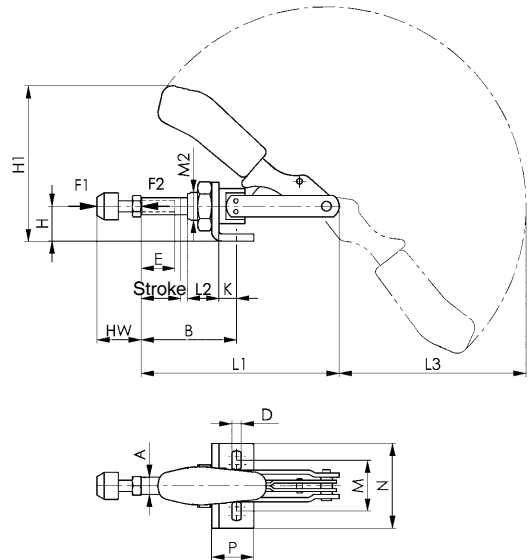
Order no.	Size	F1 [kN]	F2 [kN]	Clamping screw	Weight [g]
557610	0	0,8	0,8	M4x20	65

## No. 6841NIT

Push-pull type toggle clamp with black handle



Order no.	Size	F1 [kN]	F2 [kN]	Clamping screw	Weight [g]
558185	0	0,8	0,8	M4x20	65



### Recommendations



No. 6844NI,  
page 92



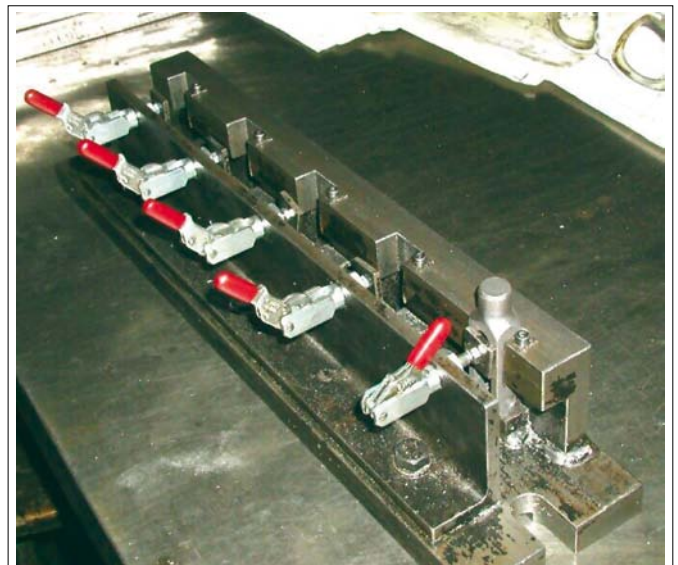
No. 6860,  
page 42



No. 6800NI,  
page 82

### Dimensions:

Size	A	B min.	B max.	D	E	H	H1	Stroke	HW min.	HW max.	K	L1	L2	L3	M	M2	N	P
0	6,5	17	33	4,5	13	12	49,3	16	12	20	6,5	66,5	10	54	16,0	M10x1,0	25	16
3	12,0	37	69	6,5	30	25	110,0	32	22	35	13,0	140,0	22	132	29,5-42,5	M20x1,5	60	30



Subject to technical alterations.

## No. 6844NI

### Push-pull type toggle clamp with red handle

**short version.** For push and pull-clamping. Stainless steel, polished. Long rod-guide with attaching thread and nut. Shoulder screws pasted into thread. Bearings are pre-lubricated. Ergonomic, oil-resistant handle with large grip surface and soft components.

**Supplied complete with stainless clamping screw no. 6880NI.**

Also suitable for use in the food industry.



Order no.	Size	F1 [kN]	F2 [kN]	Clamping screw	Weight [g]
95349	2	1,0	1,0	M6x25	130
95364	3	2,5	2,5	M8x35	320
95380	5	4,0	4,0	M12x50	1200

### Application:

Toggle for direct fit up in metal plates or fixtures, using its front attaching thread or by means of solid base angle no. 6843NI.

## No. 6844NIY

### Push-pull type toggle clamp with yellow handle



Order no.	Size	F1 [kN]	F2 [kN]	Clamping screw	Weight [g]
557289	2	1,0	1,0	M6x25	130
557290	3	2,5	2,5	M8x35	320
557291	5	4,0	4,0	M12x50	1200

## No. 6844NIJ

### Push-pull type toggle clamp with orange handle



Order no.	Size	F1 [kN]	F2 [kN]	Clamping screw	Weight [g]
557454	2	1,0	1,0	M6x25	130
557455	3	2,5	2,5	M8x35	320
557456	5	4,0	4,0	M12x50	1200

## No. 6844NIE

### Push-pull type toggle clamp with blue handle



Order no.	Size	F1 [kN]	F2 [kN]	Clamping screw	Weight [g]
557775	2	1,0	1,0	M6x25	130
557776	3	2,5	2,5	M8x35	320
557777	5	4,0	4,0	M12x50	1200

## No. 6844NIG

Push-pull type toggle clamp with green handle



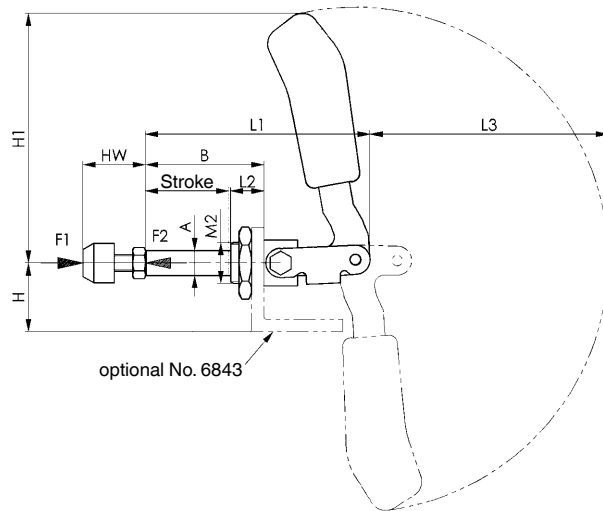
Order no.	Size	F1 [kN]	F2 [kN]	Clamping screw	Weight [g]
557611	2	1,0	1,0	M6x25	130
557612	3	2,5	2,5	M8x35	320
557613	5	4,0	4,0	M12x50	1200

## No. 6844NIT

Push-pull type toggle clamp with black handle



Order no.	Size	F1 [kN]	F2 [kN]	Clamping screw	Weight [g]
558186	2	1,0	1,0	M6x25	130
558187	3	2,5	2,5	M8x35	320
558188	5	4,0	4,0	M12x50	1200



### Recommendations



No. 6841NI, page 90



No. 6847NI, page 94

### Dimensions:

Size	A	B	E	H	H1	Stroke	HW min.	HW max.	L1	L2	L3	M	M2	N
2	10	36	15	24	73,0	21,5	17	27,0	68,5	13	69	M6	M16x1,5	30,5
3	12	57	25	33	120,5	40,0	22	37,5	108,0	16	115	M8	M20x1,5	33,0
5	16	92	45	37	149,0	67,0	30	50,0	175,0	24	139	M12	M24x1,5	49,0

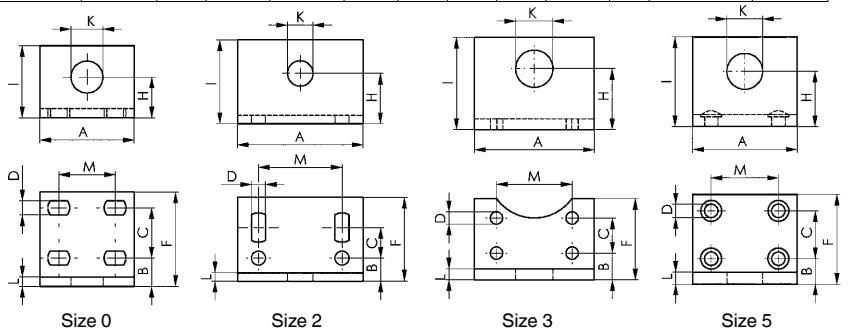
## No. 6843NI

Angle base, solid

for no. 6841NI and no. 6844NI.  
Stainless steel, polished. Increased range of application due to enlarged height of center line. Fastening by means of 4 screws.



Order no.	Size	A	B	C	D	F	H	I	K	L	M	Weight [g]
95091	0	30	9,0	16	4,5	30	13	23	10,2	3	15,5-20,5	35
95158	2	60	11,0	11-18	6,7	40	24	40	16,2	5	40	170
95174	3	65	14,5	19	6,7	44	33	50	20,2	6	41	260
95190	5	70	17,0	32	9,0	60	37	60	24,0	8	45	480



Subject to technical alterations.

## No. 6847NI

### Hook type toggle clamp

Stainless steel, polished. Rivets running in greased bushes. Handle of red high quality oil-resistant plastic. Ergonomic, oil-resistant handle with large grip surface and soft components for size 1. Suitable for use in food industry.

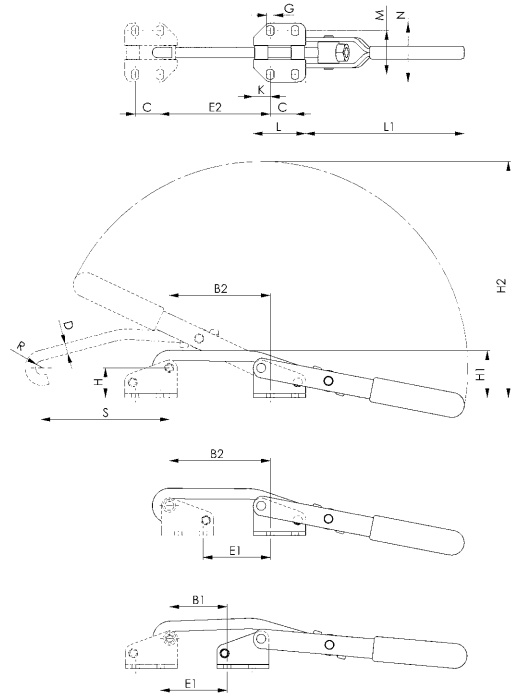


CAD

Order no.	Size	F1	Adjustm. distance	Weight [g]
		[kN]	[mm]	
95406	1	1,0	8	100
95422	3	1,5	12	270
95448	5	2,5	14	850



INOX STAINLESS STEEL



### Recommendations



No. 6848HNI, page 96



No. 6841NI, page 90

### Dimensions:

Order no.	Size	B1	B2	C	D	E1	E2	G	H	H1	H2	K	L	L1	M	N	R	S
95406	1	15-23	34-42	19	6	15-24	34-42	4,5	22,7	35,0	111	6	31	63	26,0-30,0	40	4,5	45
95422	3	32-44	65-77	19	8	39-51	72-84	5,6	22,7	36,0	181	13	40	121	31,5-35,5	45	5,5	97
95448	5	26-40	57-71	29	12	27-42	58-73	11,2	49,0	70,5	281	13	55	188	56,5-64,0	86	8,0	146

## No. 6847GNI

### Counter catch

For hook type toggle clamp no. 6847NI. Stainless steel, polished.

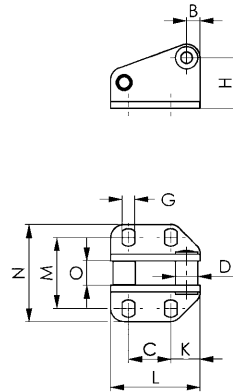


CAD

Order no.	Size	Height	Length	Weight [g]
		[mm]	[mm]	
95463	1	29	31	40
95489	3	29	40	70
95505	5	61	55	320



INOX STAINLESS STEEL



### Dimensions:

Order no.	Size	B	C	D	G	H	K	L	M	N	O
95463	1	6	19	8	4,5	22,7	6	31	26,0-30,0	40	6,9
95489	3	6	19	10	5,6	22,7	13	40	31,3-35,8	45	10,9
95505	5	12	29	15	11,2	49,1	13	55	56,5-64,0	86	13,8

Subject to technical alterations.

## No. 6847KNI

### Hook type toggle clamp

for cylindrical mounting surfaces.  
Stainless steel, polished. Rivets running in greased, continuous bearing bushes. Handle made of red, oil-resistant plastic. Use socket cap screws to ISO 4762 (DIN 912) for mounting.  
Also suitable for use in the food industry.

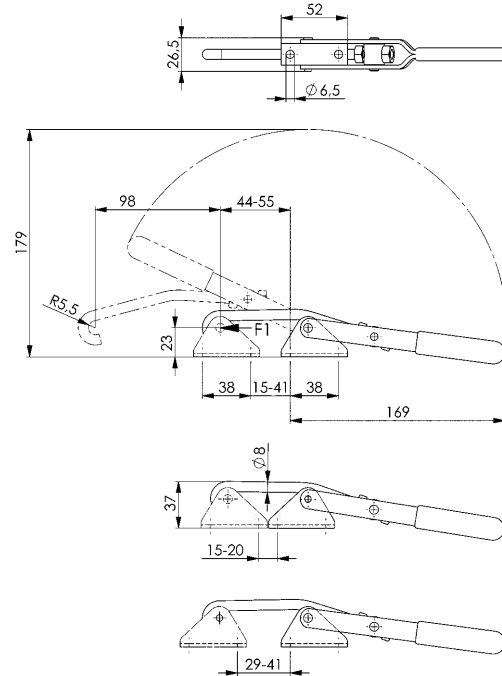


CAD

Order no.	Size	F1 [kN]	Adjustm. distance [mm]	Weight [g]
95455	3	1,5	22	270

#### Note:

The range of movement can be adjusted by swiveling the base and repositioning the catch.



#### Recommendations



No. 6847NI,  
page 94



No. 6847GNI,  
page 94

## No. 6847GKNI

### Counter catch

for cylindrical mounting surfaces.  
For hook-type toggle clamp no. 6847KNI. Stainless steel, polished. Continuous bush. Use socket cap screws to ISO 4762 (DIN 912) for mounting.

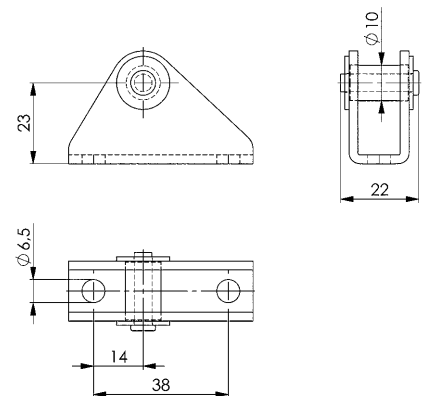


CAD

Order no.	Size	Height [mm]	Length [mm]	Weight [g]
95596	3	32	52	65

#### Note:

The adjustment range of the clamp can be increased by turning the counter catch.



## No. 6848HNI

### Horizontal hook-type toggle clamp with red handle

Stainless steel, polished. Rivets running in greased bushes. Ergonomic, oil-resistant handle with large grip surface and soft components.

**Supplied complete with counter catch.**

Also suitable for use in the food industry.



Order no.	Size	F1 [kN]	Weight [g]
95521	2	1,6	120
95547	3	3,2	330
95562	4	7,0	810

## No. 6848HNIY

### Horizontal hook-type toggle clamp with yellow handle



Order no.	Size	F1 [kN]	Weight [g]
557281	2	1,6	120
557282	3	3,2	330
557283	4	7,0	810

## No. 6848HNIJ

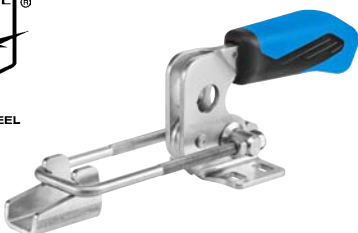
### Horizontal hook-type toggle clamp with orange handle



Order no.	Size	F1 [kN]	Weight [g]
557446	2	1,6	120
557447	3	3,2	330
557448	4	7,0	810

## No. 6848HNIE

### Horizontal hook-type toggle clamp with blue handle



Order no.	Size	F1 [kN]	Weight [g]
557767	2	1,6	120
557768	3	3,2	330
557769	4	7,0	810

Subject to technical alterations.



## No. 6848HNIG

Horizontal hook-type toggle clamp with green handle



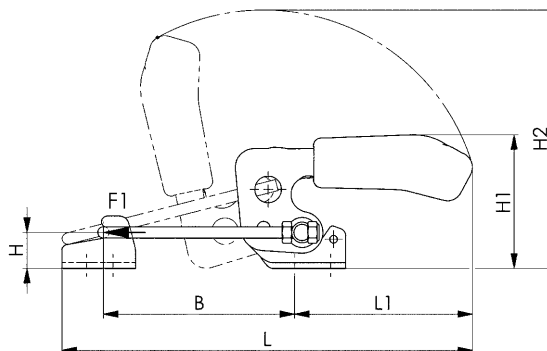
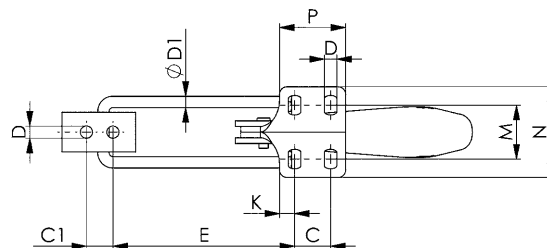
Order no.	Size	F1 [kN]	Weight [g]
557603	2	1,6	120
557604	3	3,2	330
557605	4	7,0	810

## No. 6848HNIT

Horizontal hook-type toggle clamp with black handle



Order no.	Size	F1 [kN]	Weight [g]
558178	2	1,6	120
558179	3	3,2	330
558180	4	7,0	810



CAD

### Recommendations



No. 6848VNI, page 100



No. 6847NI, page 94

### Dimensions:

Size	B min.	B max.	C	C1	D	dia. D1	E min.	E max.	H	H1	H2	K	L min.	L max.	L1	M	N	P
2	42,0	76	13	11	5,2	4	38,0	72	12	47,0	99	6,4	125	159	69	19,5-23,5	38,0	26,0
3	53,5	101	19	14	6,5	6	48,6	96	19	70,0	137	8,0	169	217	94	24,5-32,5	48,0	35,0
4	72,0	127	32	19	8,5	8	65,0	120	26	94,5	168	9,5	214	270	111	35,0-46,0	64,5	53,5

Subject to technical alterations.

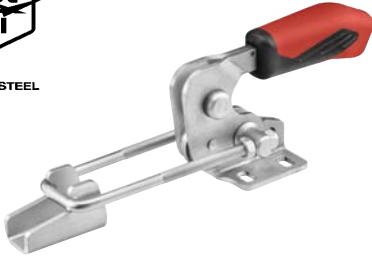
## No. 6848HSNI

### Horizontal hook-type toggle clamp with red handle and safety latch

Stainless steel, polished. Rivets running in greased bushes. Ergonomic, oil-resistant handle with large grip surface and soft components.

**Supplied complete with counter catch.**

Also suitable for use in the food industry.



Order no.	Size	F1	Weight
		[kN]	[g]
93658	4	7,0	850

## No. 6848HSNIY

### Horizontal hook-type toggle clamp with yellow handle and safety latch



Order no.	Size	F1	Weight
		[kN]	[g]
557284	4	7,0	850

## No. 6848HSNIJ

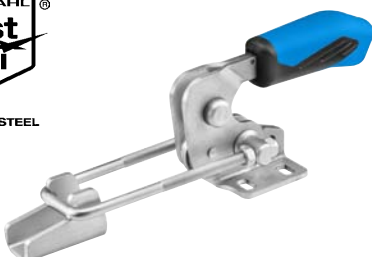
### Horizontal hook-type toggle clamp with orange handle and safety latch



Order no.	Size	F1	Weight
		[kN]	[g]
557449	4	7,0	850

## No. 6848HSNIE

### Horizontal hook-type toggle clamp with blue handle and safety latch

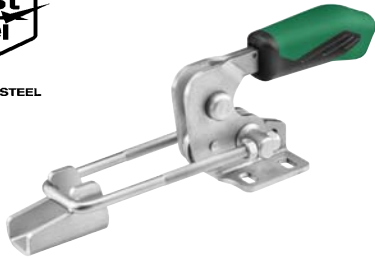


Order no.	Size	F1	Weight
		[kN]	[g]
557770	4	7,0	850

Subject to technical alterations.

## No. 6848HSNIG

Horizontal hook-type toggle clamp with green handle and safety latch



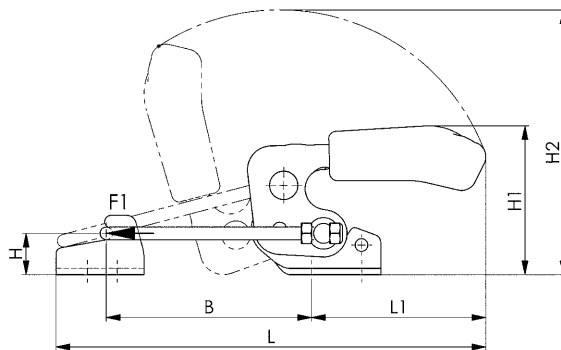
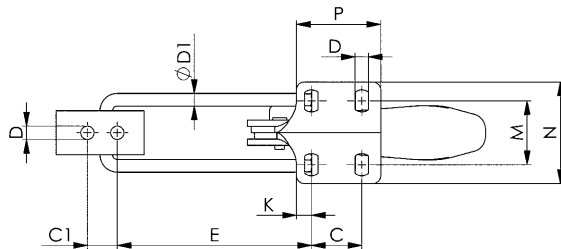
Order no.	Size	F1	Weight
		[kN]	[g]
557606	4	7,0	850

## No. 6848HSNIT

Horizontal hook-type toggle clamp with black handle and safety latch



Order no.	Size	F1	Weight
		[kN]	[g]
558181	4	7,0	850



CAD

### Recommendations



No. 6848VNI,  
page 100



No. 6848GHNI,  
page 155

### Dimensions:

Size	B min.	B max.	C	C1	D	dia. D1	E min.	E max.	H	H1	H2	K	L min.	L max.	L1	M	N	P
4	72	130	32	19	8,5	8	65	123	26	94	168	9,5	215	273	111	35-46	64,5	53,5

Subject to technical alterations.

## No. 6848VNI

### Vertical hook-type toggle clamp with red handle

Stainless steel, polished. Rivets running in greased bushes. Ergonomic, oil-resistant handle with large grip surface and soft components.

**Supplied complete with counter catch.**

Also suitable for use in the food industry.



Order no.	Size	F1 [kN]	Weight [g]
95588	2	1,6	130
95604	3	3,2	340
95620	4	7,0	810

## No. 6848VNIY

### Vertical hook-type toggle clamp with yellow handle



Order no.	Size	F1 [kN]	Weight [g]
557285	2	1,6	130
557286	3	3,2	340
557287	4	7,0	810

## No. 6848VNIJ

### Vertical hook-type toggle clamp with orange handle



Order no.	Size	F1 [kN]	Weight [g]
557450	2	1,6	130
557451	3	3,2	340
557452	4	7,0	810

## No. 6848VNIE

### Vertical hook-type toggle clamp with blue handle



Order no.	Size	F1 [kN]	Weight [g]
557771	2	1,6	130
557772	3	3,2	340
557773	4	7,0	810

Subject to technical alterations.

## No. 6848VNIG

Vertical hook-type toggle clamp with green handle



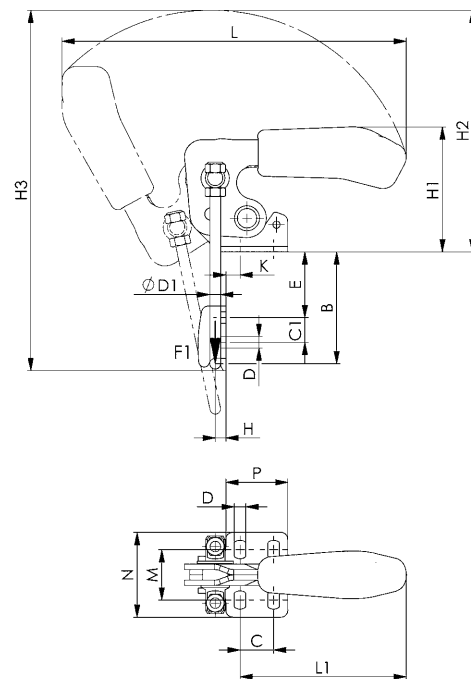
Order no.	Size	F1 [kN]	Weight [g]
557607	2	1,6	130
557608	3	3,2	340
557609	4	7,0	810

## No. 6848VNIT

Vertical hook-type toggle clamp with black handle



Order no.	Size	F1 [kN]	Weight [g]
558182	2	1,6	130
558183	3	3,2	340
558184	4	7,0	810



### Recommendations



No. 6848GVNI, page 155



No. 6844NI, page 92

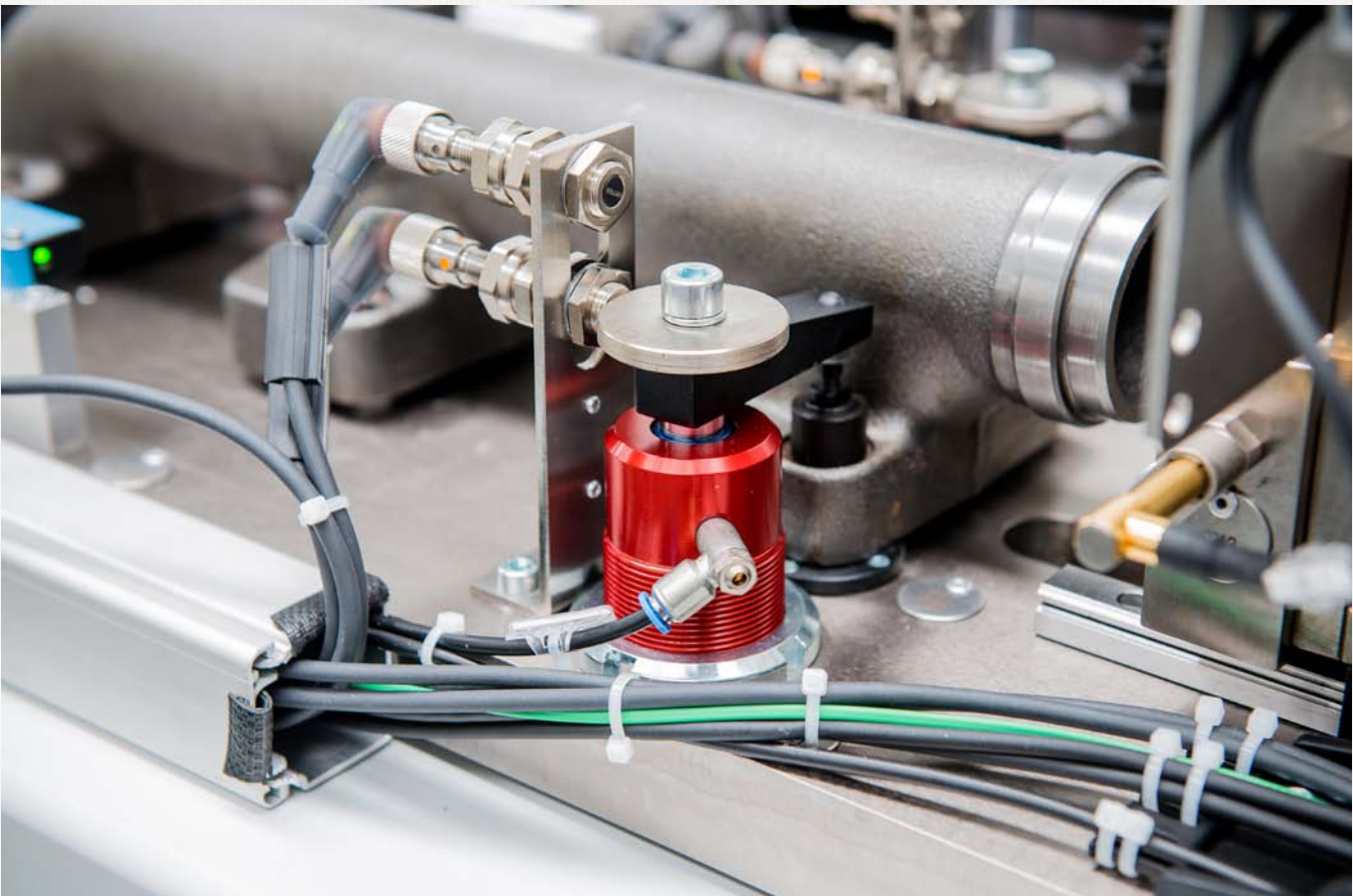
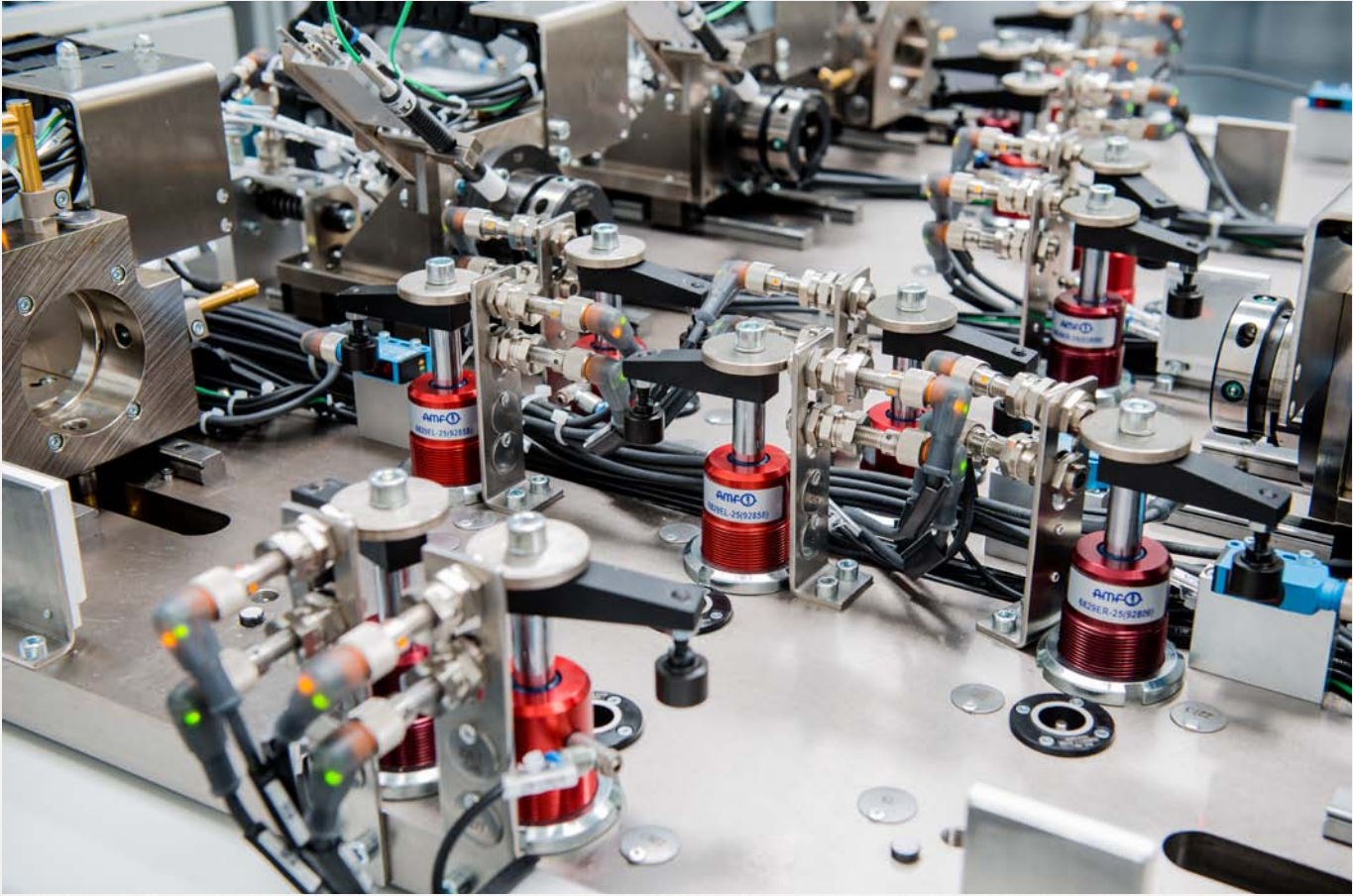


No. 6803NI, page 84

### Dimensions:

Size	B min.	B max.	C	C1	D	dia. D1	E min.	E max.	H	H1	H2	H3	K	L	L1	M	N	P
2	24	47	13	11	5,2	4	5,0	28	4,5	47,0	99	150	6,8	158	69	19,5-23,5	38,0	26,0
3	33	63	19	14	6,5	6	6,5	36	6,0	70,0	137	172	8,0	195	93	24,5-32,5	48,0	35,0
4	43	81	32	19	8,5	8	9,0	47	8,0	94,5	168	254	9,5	239	111	35,0-46,0	64,5	53,5

Subject to technical alterations.

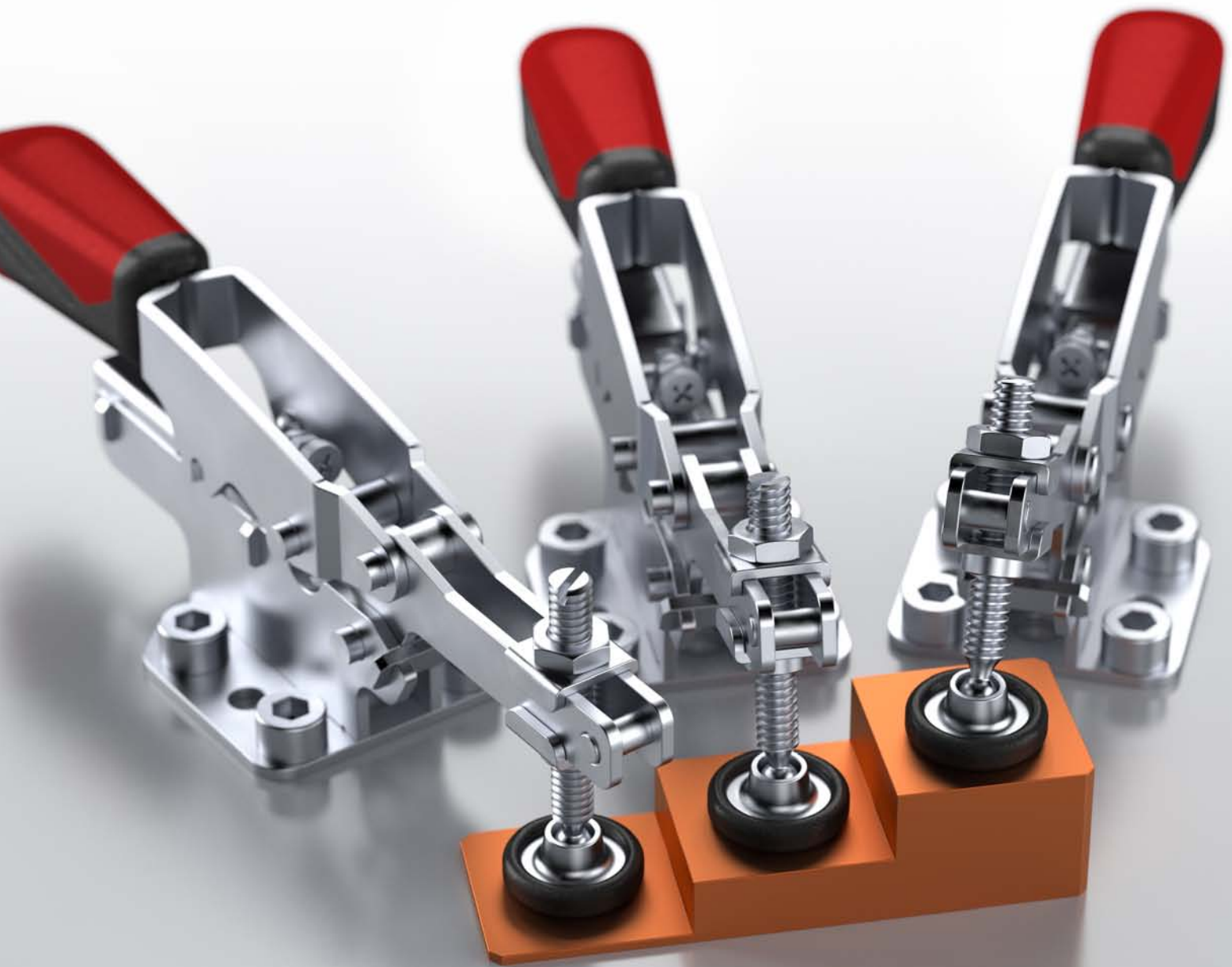


Subject to technical alterations.

## AUTO-ADJUST TOGGLE CLAMPS

### The benefits at a glance:

- > Auto-adjust clamping height
- > Clamps different workpiece types
- > Ideal for small batch sizes
- > Adjustable clamping force
- > Ergonomic 2-component handle
- > Retained on the clamp arm



## No. 6870

### Horizontal toggle clamp with auto-adjust clamping height

with open clamping arm and horizontal base.

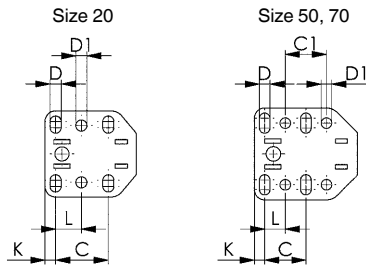
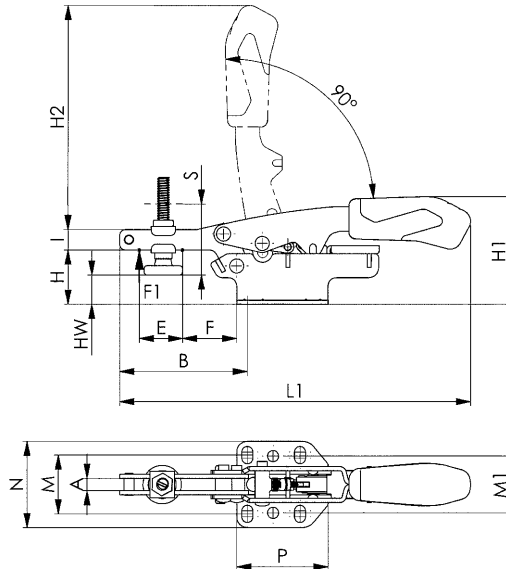
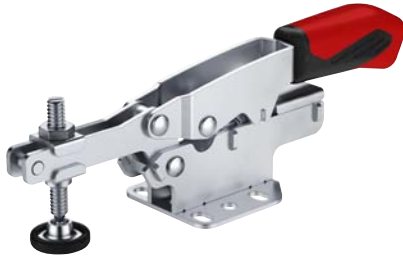
Toggle clamp with continuous counterbalance function for workpieces with different clamping heights.

Galvanised and passivated. Ergonomic, oil-resistant handle with large grip surface and soft components. Retainer for the clamping screw at the end of the clamp arm.

Complete with galvanised clamping screw.



Order no.	Size	F1 [kN]	Automatic height compensation S [mm]	Maximum height compensation [mm]	Clamping screw	Weight [g]
554878	20	2	20	35	M6 x 40	272
554879	50	3	35	40	M8 x 39	499
554880	70	3	35	60	M8 x 55	544



### Recommendations



No. 6860, page 42

No. 68300, page 32

### Dimensions:

Order no.	Size	A	B	C	C1	D	D1	E	F	H	H1	H2	HW min.	HW max.	I	K	L	L1	M	M1	N	P
554878	20	6,0	63	26,0	-	5,5	5,5	22	26	27,0	53,0	111	-6,5	14	10	5,3	12,7	173	26 - 32	28	42,5	45,0
554879	50	8,4	104	25,4	25,4	6,5	6,5	35	22	23,0	58,5	158	-8,5	6	13	6,3	12,7	244	32 - 44	38	57,0	63,5
554880	70	8,4	104	25,4	25,4	6,5	6,5	35	50	40,5	76,5	158	-6,5	24	13	6,3	12,7	243	32 - 44	38	57,0	63,5



## No. 6871

### Horizontal toggle clamp with auto-adjust clamping height

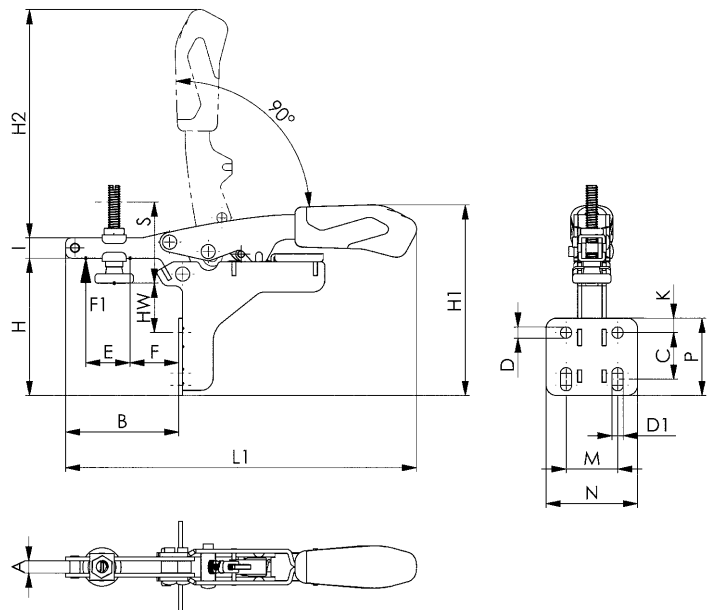
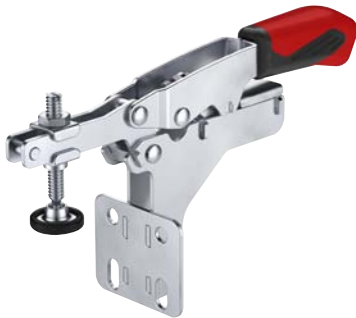
#### with open clamping arm and angle base.

Toggle clamp with continuous counterbalance function for workpieces with different clamping heights. Galvanised and passivated. Ergonomic, oil-resistant handle with large grip surface and soft components. Retainer for the clamping screw at the end of the clamp arm. **Complete with galvanised clamping screw.**



CAD

Order no.	Size	F1 [kN]	Automatic height compensation S [mm]	Maximum height compensation [mm]	Clamping screw	Weight [g]
554881	20	2	20	35	M6 x 40	272
554882	50	3	35	40	M8 x 55	544



### Dimensions:

Order no.	Size	A	B	C	D	D1	E	F	H	H1	H2	HW min.	HW max.	I	K	L1	M	N	P
554881	20	6,0	56	20 - 26	5,6	5,6	22	24	68	94	113	-3	24	10	7,1	173	25,4	45	38
554882	50	8,4	85	22 - 32	6,5	6,5	35	37	88	124	158	1	31	13	10,6	244	38,1	57	51

## No. 6872

### Horizontal toggle clamp with auto-adjust clamping height

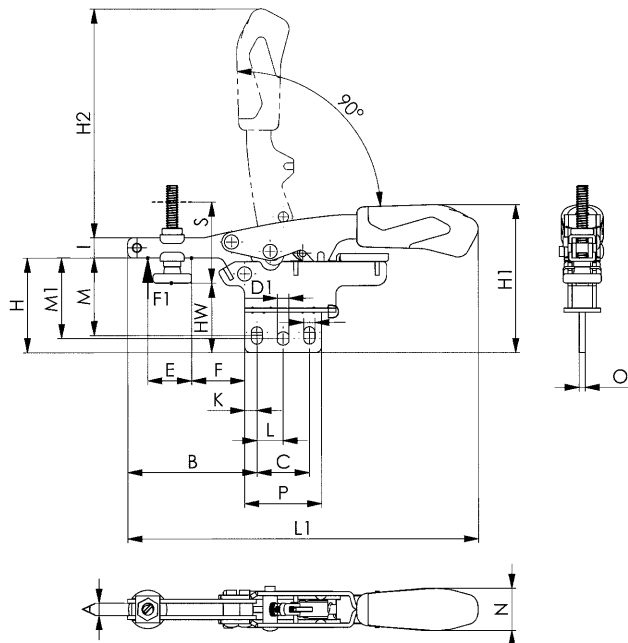
#### with open clamping arm and vertical base.

Toggle clamp with continuous counterbalance function for workpieces with different clamping heights. Galvanised and passivated. Ergonomic, oil-resistant handle with large grip surface and soft components. Retainer for the clamping screw at the end of the clamp arm. **Complete with galvanised clamping screw.**



CAD

Order no.	Size	F1 [kN]	Automatic height compensation S [mm]	Maximum height compensation [mm]	Clamping screw	Weight [g]
554883	20	2	20	35	M6 x 40	272
554884	50	3	35	40	M8 x 39	544



### Recommendations



No. 6860, page 42



No. 68300, page 32

### Dimensions:

Order no.	Size	A	B	C	D	D1	E	F	H	H1	H2	HW min.	HW max.	I	K	L	L1	M	M1	N	O	P
554883	20	6,0	64,0	25,9	5,6	5,6	22	26	47	73	113	13,0	34	10	6,0	12,9	173	37 - 40	39,8	21,0	3	38
554884	50	8,4	106,5	38,0	6,5	6,5	35	50	59	94,5	158	27,5	42	13	8,5	19,0	243	45 - 49	49,0	26,5	4	55

Subject to technical alterations.

## No. 6873

### Push-pull type toggle clamp with auto-adjust clamping width

#### with angle base.

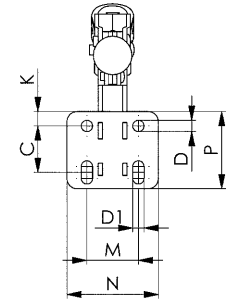
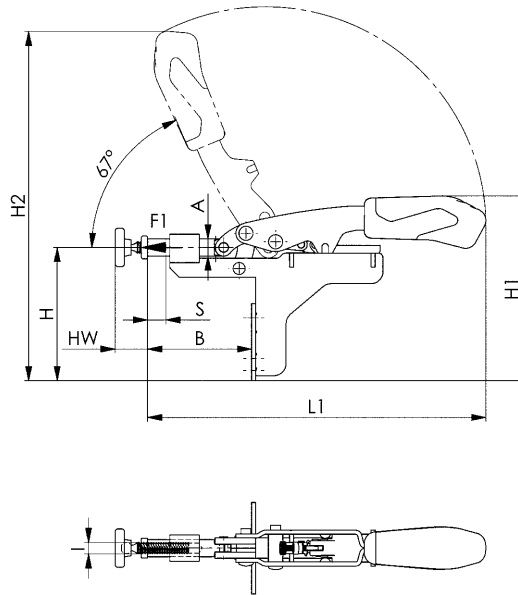
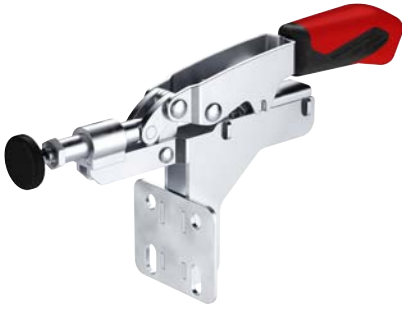
Toggle clamp with continuous counterbalance function for workpieces with different clamping widths. Galvanised and passivated. Ergonomic, oil-resistant handle with large grip surface and soft components. Retainer for the clamping screw at the end of the clamp arm.

**Complete with galvanised clamping screw.**



CAD

Order no.	Size	F1 [kN]	automatic stroke compensation S [mm]	maximum stroke compensation [mm]	Clamping screw	Weight [g]
554885	15	2	8	25	M6 x 29	272
554886	25	3	13	35	M8 x 38	544



#### Dimensions:

Order no.	Size	A	B	C	D	D1	H	H1	H2	HW min.	HW max.	I	K	L1	M	N	P
554885	15	8,5	42 - 51	20 - 26	5,6	5,6	66	91	173	12	29	M6	7,1	167	25,4	45	38
554886	25	11,8	58 - 83	22 - 32	6,5	6,5	84	119	244	17	39	M8	10,6	236	38,1	57	51

## No. 6874

### Push-pull type toggle clamp with auto-adjust clamping width

#### with horizontal base.

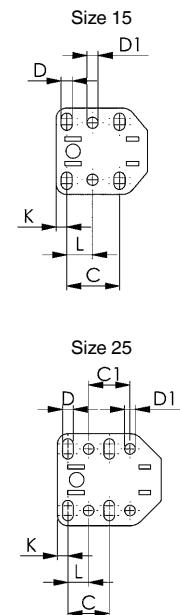
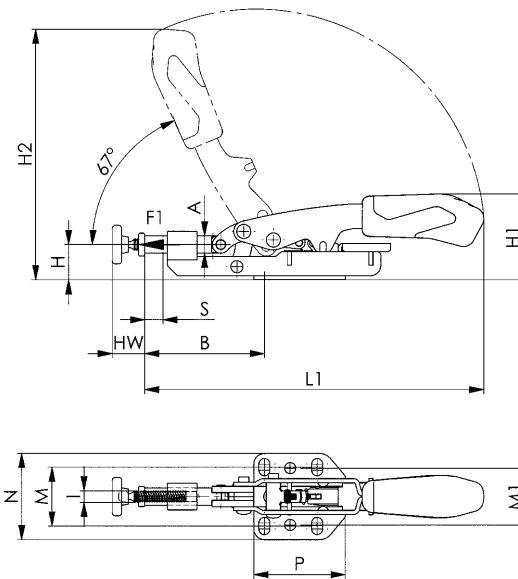
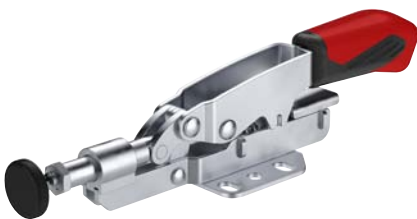
Toggle clamp with continuous counterbalance function for workpieces with different clamping heights. Galvanised and passivated. Ergonomic, oil-resistant handle with large grip surface and soft components. Retainer for the clamping screw at the end of the clamp arm.

**Complete with galvanised clamping screw.**



CAD

Order no.	Size	F1 [kN]	automatic stroke compensation S [mm]	maximum stroke compensation [mm]	Clamping screw	Weight [g]
554887	15	2	8	25	M6 x 29	272
554888	25	3	13	35	M8 x 38	499



#### Recommendations



No. 6842, page 52



No. 6841, page 44

#### Dimensions:

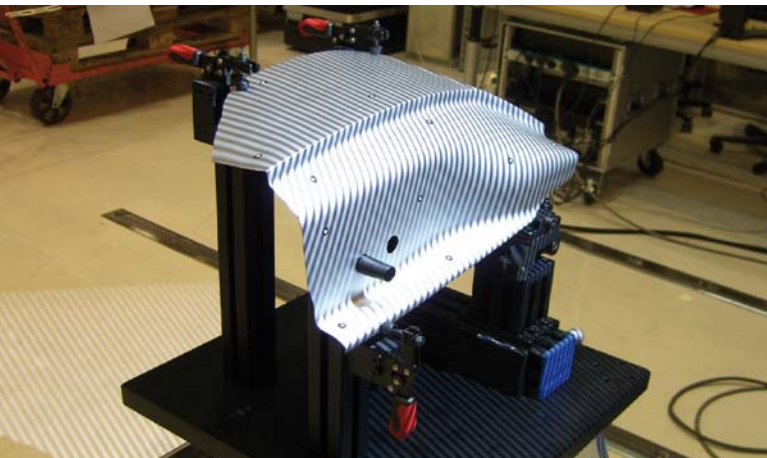
Order no.	Size	A	B	C	C1	D	D1	H	H1	H2	HW min.	HW max.	I	K	L	L1	M	M1	N	P
554887	15	8,5	50 - 59	26,0	-	5,5	5,5	17,5	42	124	12	29	M6	5,3	12,7	167	26 - 32	28	42,5	45,0
554888	25	11,8	67 - 92	25,4	25,4	6,5	6,5	23,0	59	170	17	39	M8	6,3	12,7	236	32 - 44	38	57,0	63,5

Subject to technical alterations.

# AMF TOGGLE CLAMPS FOR OPTICAL MEASUREMENT TECHNOLOGY

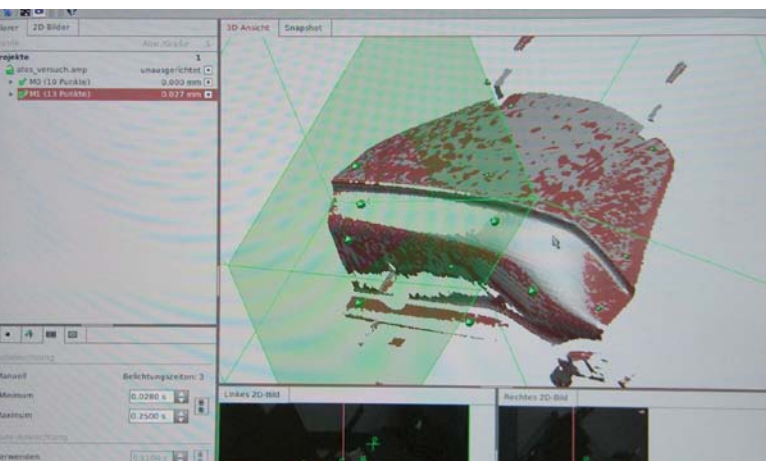
The new black toggle clamps are especially suited for the optical measurement of workpieces. The complete matte-black surface of the clamps prevents reflections. As a result, in the later evaluation of the measurement results on the PC, all unneeded clamp parts can be suppressed and only the actual workpiece is visible.

All black toggle clamps are blackened using a special process. This offers effective protection against corrosion and film rust formation. In addition, environmentally damaging emissions are not created with this process.



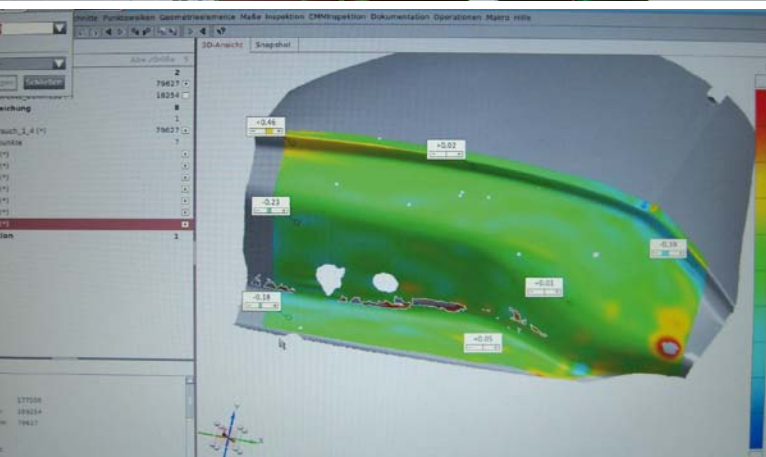
## MARKING AND MEASURING OF THE WORKPIECE

For overlaying of several pictures, circular markings are attached to the object. A stripe pattern is projected onto the object surface by a white-light projector and photographed by two cameras from different angles of view.



## EVALUATION

Within seconds, highly precise 3D coordinates of up to 4 million object points per measurement are calculated. For this, the black device with the black toggle clamps are „suppressed“.



## VISUALISATION AND RESULT

Variances from the CAD are calculated. The 3D coordinates of the measurement points can be measured exactly and visualised in colour.

The complete 3D data set and the comparison results can be exported into common formats for further processing.

## No. 6800B

### Vertical toggle clamp, black

**With open clamping arm and horizontal base.**

Matte black surface. Rivets made of stainless steel, which, for sizes 2 and 3, run in hardened bushings. Bearings are pre-lubricated.

Ergonomic, oil-resistant black handle with large grip surface and soft components. Safety clamping piece with finger protection. Lock washer for the thrust bolt at the end of the clamping arm.

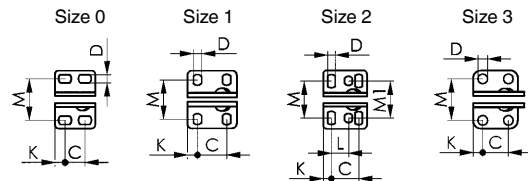
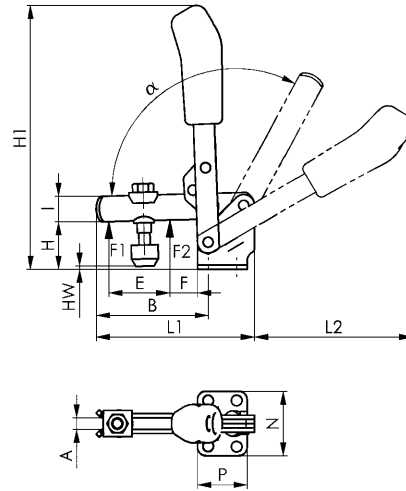
**Complete with tempered, matte-black clamping screw no. 6890B.**

Order no.	Size	F1 [kN]	F2 [kN]	Clamping screw	Weight [g]
90167	0	0,5	0,7	M4x34,5	60
90175	1	0,6	1,1	M5x38,0	105
90183	2	0,8	1,2	M6x46,0	175
90191	3	1,2	2,5	M8x63,0	410

#### Note:

These clamps are suitable for photogrammetric use. The matte-black surface of the clamps prevents reflection while photographing.

For suitable clamping arm extension see no. 6896.



#### Recommendations



No. 6890B,  
page 149



No. 6802B,  
page 109



No. 6800BS,  
page 115

#### Dimensions:

Order no.	Size	A	B	C	D	E	F	H	H1	HW min.	HW max.	I	K	L	L1	L2	M	M1	N	P	$\alpha$	$\alpha^*$
90167	0	4	32	8,5-13,5	4,5	14	5,5	18	81,0	-4,0	6,5	8	5,5	-	49,0	50,0	23,0	-	32	22	95°	-
90175	1	5	39	16	4,5	18	6,0	19	97,5	-3,7	1,6	10	5,5	-	61,0	58,0	22,5-26	-	34	27	95°	-
90183	2	6	52	20	5,5	25	11,0	23	130,0	-4,4	4,4	12	6,0	12,5	78,0	80,0	23,0-31	27	43	32	105°	60°
90191	3	8	79	20	7,5	36	19,0	33	188,0	-2,8	7,0	18	7,5	-	111,5	111,5	32,5	-	46	35	105°	60°

\* The opening angle can be changed by pressing in a stop pin.

CAD



Subject to technical alterations.

## No. 6802B

### Vertical toggle clamp, black

#### With open clamping arm and vertical base.

Matte black surface. Rivets made of stainless steel, which, for sizes 2 and 3, run in hardened bushings. Bearings are pre-lubricated.

Ergonomic, oil-resistant black handle with large grip surface and soft components. Safety clamping piece with finger protection. Lock washer for the thrust bolt at the end of the clamping arm.

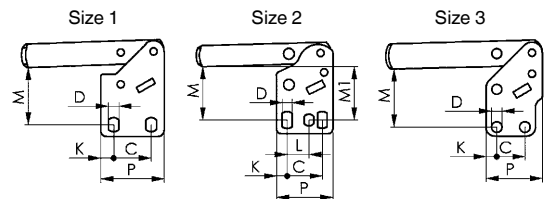
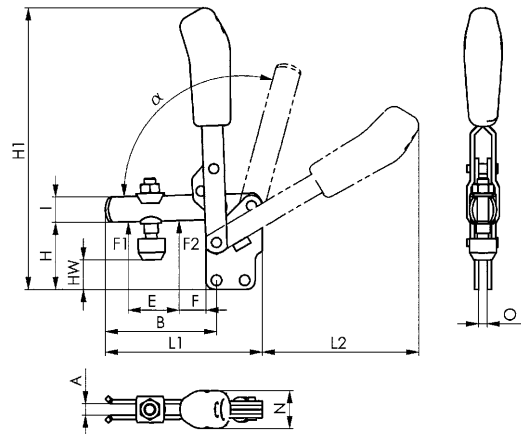
**Complete with tempered, matte-black clamping screw no. 6890B.**

Order no.	Size	F1 [kN]	F2 [kN]	Clamping screw	Weight [g]
90415	1	0,6	1,1	M5x38	105
90472	2	0,8	1,2	M6x46	175
90498	3	1,2	2,5	M8x63	410

#### Note:

These clamps are suitable for photogrammetric use. The matte-black surface of the clamps prevents reflection while photographing.

For suitable clamping arm extension see no. 6896.



#### Recommendations



No. 6890B,  
page 149



No. 6802BS,  
page 116



No. 6841B,  
page 114

#### Dimensions:

Order no.	Size	A	B	C	D	E	F	H	H1	HW min.	HW max.	I	K	L	L1	L2	M	M1	N	O	P	$\alpha$	$\alpha^*$
90415	1	5	39	16	4,5	18	6	29	110,5	6,8	12	10	5,5	-	61	58	23,5-25	-	19	5	27	95°	-
90472	2	6	52	20	5,5	25	11	38	144,5	10,5	19	12	6,0	12,5	78	80	28,5-32	30	21	5	32	105°	60°
90498	3	8	79	20	7,5	36	19	48	201,0	11,4	21	18	7,5	-	112	113	41	-	27	6	40	105°	60°

\* The opening angle can be changed by pressing in a stop pin.



## No. 6830B

### Horizontal toggle clamp, black

**With open clamping arm and horizontal base.**

Matte black surface. Rivets made of stainless steel, which, for sizes 2 and 3, run in hardened bushings. Bearings are pre-lubricated.

Ergonomic, oil-resistant black handle with large grip surface and soft components. Lock washer for the thrust bolt at the end of the clamping arm.

**Complete with tempered, matte-black clamping screw no. 6890B.**

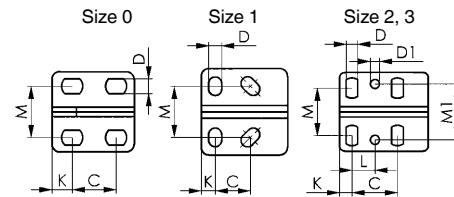
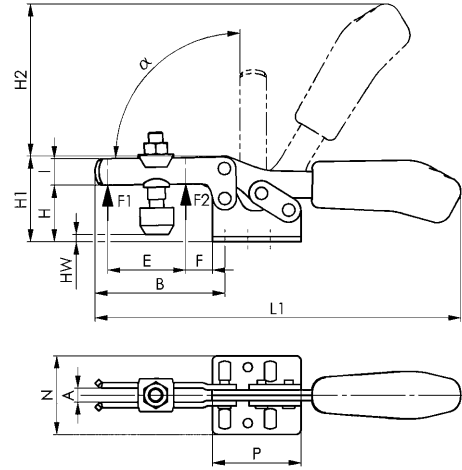
Order no.	Size	F1 [kN]	F2 [kN]	Clamping screw	Weight [g]
90423	0	0,3	0,4	M4x34,5	35
90480	1	0,8	1,1	M5x38	105
90506	2	1,0	1,2	M6x46	185
90522	3	1,8	2,5	M8x63	320

#### Note:

These clamps are suitable for photogrammetric use. The matte-black surface of the clamps prevents reflection while photographing.

For suitable clamping arm extension see no. 6896.

For suitable sensor monitor for size 3 see no. 6897S.



#### Recommendations



No. 6890B,  
page 149



No. 6832B,  
page 111



No. 6841B,  
page 114

#### Dimensions:

Order no.	Size	A	B	C	D	D1	E	F	H	H1	H2	HW min.	HW max.	I	K	L	L1	M	M1	N	P	$\alpha$
90423	0	4	28	11,5-15,5	4,6	-	9,0	5,5	14,5	23,0	34,0	-7,4	2,7	7,5	6,25	-	79	16,0	-	25,0	25,5	90°
90480	1	5	42	13,0-14,5	5,2	-	18,8	8,0	19,0	30,0	49,0	-3,6	1,8	10,0	5,50	-	120	18,0-21,5	-	34,0	34,0	90°
90506	2	6	64	26,0	5,6	5,6	32,0	16,0	24,0	45,0	66,3	-2,6	5,0	13,2	6,00	12,7	162	19,5-29,5	28,5	42,0	38,0	90°
90522	3	8	73	25,7	6,5	5,1	37,0	14,0	32,0	48,5	86,0	-7,4	5,0	15,0	7,00	-	206	22,0-31,8	31,6	45,5	50,0	90°

CAD



Subject to technical alterations.

## No. 6832B

### Horizontal toggle clamp, black

**With open clamping arm and vertical base.**

Matte black surface. Rivets made of stainless steel, which, for sizes 2 and 3, run in hardened bushings. Bearings are pre-lubricated.

Ergonomic, oil-resistant black handle with large grip surface and soft components. Lock washer for the thrust bolt at the end of the clamping arm.

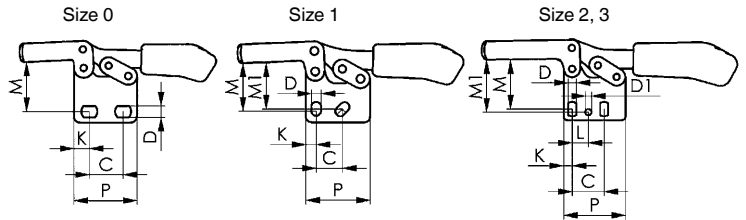
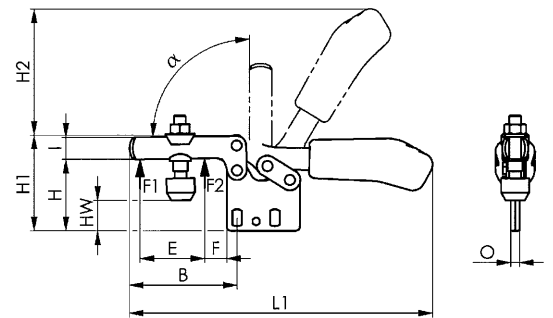
**Complete with tempered, matte-black clamping screw no. 6890B.**

Order no.	Size	F1 [kN]	F2 [kN]	Clamping screw	Weight [g]
90290	0	0,3	0,4	M4x34,5	35
90308	1	0,8	1,1	M5x38	105
482471	1	0,8	1,1	-	95
90530	2	1,0	1,2	M6x46	185
456400	2	1,0	1,2	-	170
90381	3	1,8	2,5	M8x63	320
482497	3	1,8	2,5	-	280

### Note:

These clamps are suitable for photogrammetric use. The matte-black surface of the clamps prevents reflection while photographing.

For suitable clamping arm extension see no. 6896.



### Recommendations



No. 6890B,  
page 149



No. 6830B,  
page 110



No. 6800B,  
page 108

### Dimensions:

Order no.	Size	A	B	C	D	D1	E	F	H	H1	H2	HW min.	HW max.	I	K	L	L1	M	M1	N	O	P	α
90290	0	4	28,0	11,5-15,5	4,6	-	9,0	5,5	24,5	33	34	2,2	13,7	7,5	6,25	-	79,0	20,0	-	12	3	25,5	90°
90308	1	5	41,7	13,0-15,5	5,2	-	18,5	8,0	31,5	43	49	8,9	14,8	10,0	5,50	-	119,7	23,5-25,5	24,5	18	5	34,0	90°
482471	1	5	41,7	13,0-15,5	5,5	-	18,5	8,0	31,5	43	49	-	-	10,0	5,50	-	119,7	23,5-25,5	24,5	18	5	34,0	90°
90530	2	6	64,0	26,0	5,6	5,6	32,0	16,0	40,0	61	68	14,0	22,0	13,2	6,00	12,7	164,0	29,5-34,0	34,0	21	5	38,0	90°
456400	2	6	64,0	26,0	5,6	5,6	32,0	16,0	40,0	61	68	-	-	13,2	6,00	12,7	164,0	29,5-34,0	34,0	21	5	38,0	90°
90381	3	8	73,0	25,7	6,5	5,1	39,0	12,0	49,0	65	86	9,5	22,0	15,0	7,00	13,0	206,0	37,5-42,5	42,0	27	6	50,0	90°
482497	3	8	73,0	25,7	6,5	5,1	39,0	12,0	49,0	65	86	-	-	15,0	7,00	13,0	206,0	37,5-42,5	42,0	27	6	50,0	90°



CAD

## No. 6835B-2

### Horizontal toggle clamp, black

With open clamping arm and vertical, open base.

Matte black surface. Stainless steel rivets, which run in hardened bushes. Bearings are pre-lubricated.

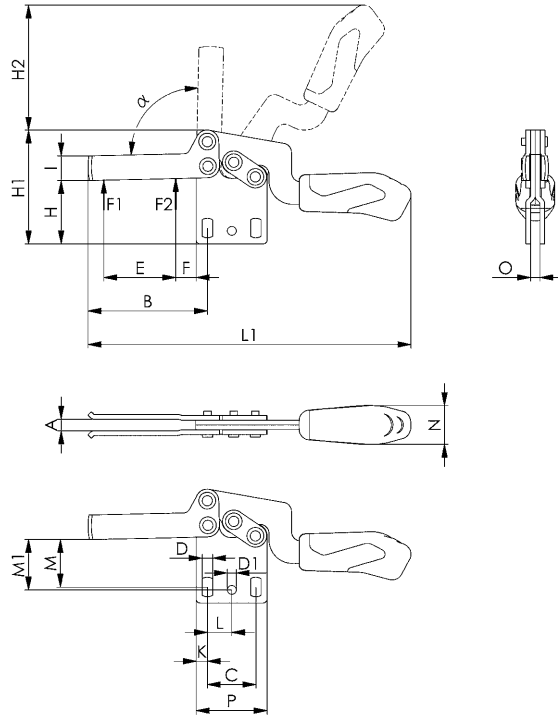
Ergonomic, oil-resistant black handle with large grip surface and soft components. Lock washer for the thrust bolt at the end of the clamping arm.

Order no.	Size	F1 [kN]	F2 [kN]	Weight [g]
90670	2	1,0	1,2	190

#### Note:

These clamps are suitable for photogrammetric use. The matte-black surface of the clamps prevents reflection while photographing.

For suitable clamping arm extension see no. 6896.



#### Recommendations



No. 6896,  
page 153



No. 6890B,  
page 149

#### Dimensions:

Order no.	Size	A	B	C	D	D1	E	F	H	H1	H2	I	K	L	L1	M	M1	N	O	P	$\alpha$
90670	2	6,2	64	26,0	5,6	4,8	38,6	11,0	34	61	67	13,2	6	13,1	173,5	23,0-28,0	27	21	5	38	90°

CAD



Subject to technical alterations.



## No. 6835B-3

### Horizontal toggle clamp, black

With open clamping arm and vertical, open base.

Matte black surface. Stainless steel rivets, which run in hardened bushes. Bearings are pre-lubricated.

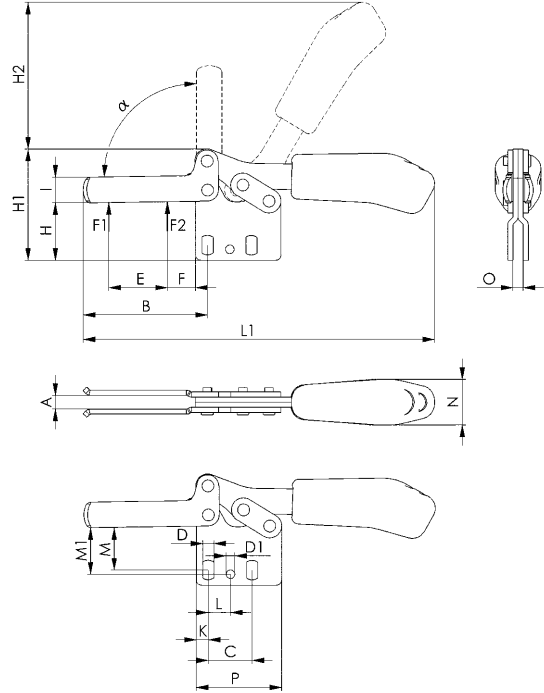
Ergonomic, oil-resistant black handle with large grip surface and soft components. Lock washer for the thrust bolt at the end of the clamping arm.

Order no.	Size	F1 [kN]	F2 [kN]	Weight [g]
90696	3	1,8	2,5	320

#### Note:

These clamps are suitable for photogrammetric use. The matte-black surface of the clamps prevents reflection while photographing.

For suitable clamping arm extension see no. 6896.



#### Recommendations



No. 6896,  
page 153



No. 6890B,  
page 149

#### Dimensions:

Order no.	Size	A	B	C	D	D1	E	F	H	H1	H2	I	K	L	L1	M	M1	N	O	P	$\alpha$
90696	3	8,0	73	25,7	6,5	5,1	34,5	16,5	34	65	86	15,0	7	13,0	206,0	22,5-27,5	27	27	6	50	90°



CAD

## No. 6841B

### Push-pull type toggle clamp, black

**With small angle base.** Push- and pull-clamping. (Equal operation of rod and lever). Long rod-guide with attaching thread and nut. Matte black surface. Stainless steel rivets. Lever-parts and rod of tempered steel. Bearings are pre-lubricated. Ergonomic, oil-resistant black handle with large grip surface and soft components. Lever can be set to any angle relative to base.

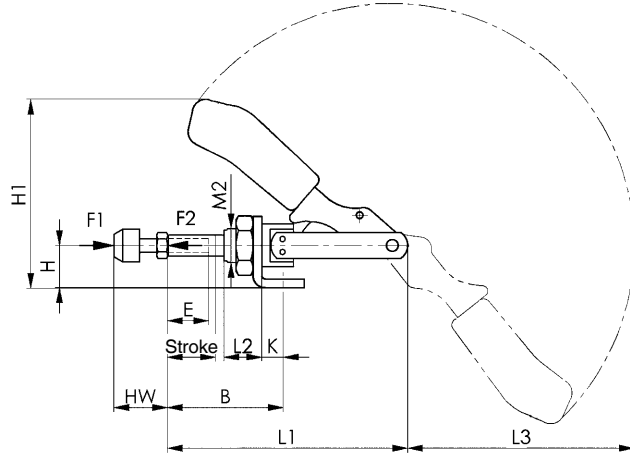
**Complete with tempered, matte-black clamping screw no. 6880B.**



Order no.	Size	F1 [kN]	F2 [kN]	Clamping screw	Weight [g]
90548	1	1,0	1,0	M4x20	125
91280	2	2,0	2,0	M6x25	245

#### Note:

These clamps are suitable for photogrammetric use. The matte-black surface of the clamps prevents reflection while photographing.



#### Recommendations



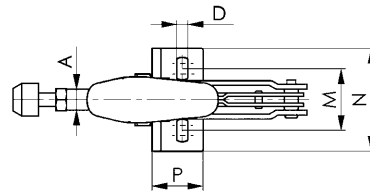
No. 6880B,  
page 150



No. 6800B,  
page 108



No. 6830B,  
page 110



#### Dimensions:

Order no.	Size	A	B min.	B max.	D	E	H	H1	Stroke	HW min.	HW max.	K	L1	L2	L3	M	M2	N	P
90548	1	8,0	24,5	44,5	4,5	20	15	60	20	12	20	7,0	91	16	72	16,0-19,5	M12x1,5	30	20
91280	2	10,0	32,5	57,5	5,6	25	20	95	26	17	25	12,5	114	19	105	31,8-36,0	M16x1,5	50	34

## No. 6845B

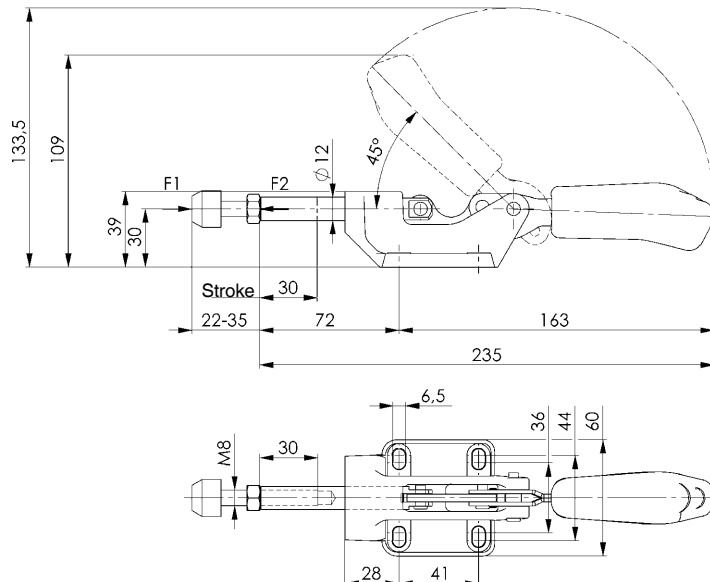
### Push-pull type toggle clamp, black

#### Push clamp.

(Opposed operation of rod and lever). Version with long rod guide. Basic body of malleable cast iron, matt black surface. Lever parts and rod of tempered steel, matte-black galvanised. Stainless steel rivets, which run in hardened bushes. Bearings are pre-lubricated. Ergonomic, oil-resistant handle with large grip surface and soft components.

**Complete with tempered, matte-black clamping screw no. 6880B-3.**

Order no.	Size	F1 [kN]	Clamping screw	Weight [g]
99663	3	4	M8 x 44	540



Subject to technical alterations.

## No. 6800BS

### Vertical toggle clamp with safety latch, black

For open and clamped positions. With open clamping arm and horizontal base.

Matte black surface. Stainless steel rivets, which run in hardened bushes. Bearings are pre-lubricated.

Ergonomic, oil-resistant black handle with large grip surface and soft components. Safety clamping piece with finger protection.

Lock washer for the thrust bolt at the end of the clamping arm.

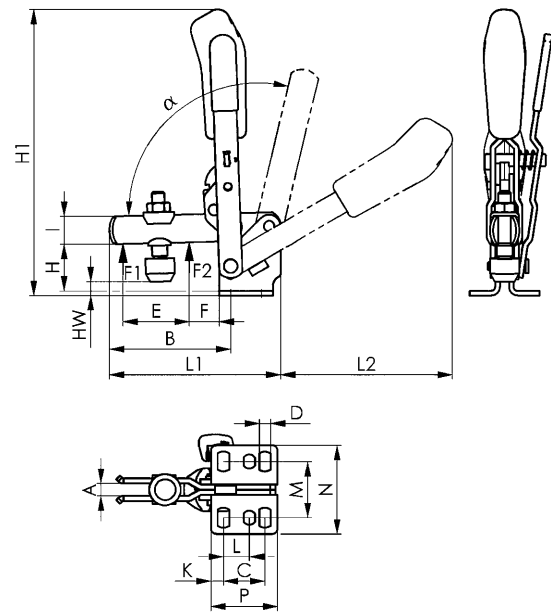
Complete with tempered, matte-black clamping screw no. 6890B.

Order no.	Size	F1 [kN]	F2 [kN]	Clamping screw	Weight [g]
91348	2	1,0	1,2	M6x46	260

#### Note:

These clamps are suitable for photogrammetric use. The matte-black surface of the clamps prevents reflection while photographing.

For suitable clamping arm extension see no. 6896.



#### Recommendations



No. 6890B,  
page 149



No. 6800B,  
page 108



No. 6802B,  
page 109

#### Dimensions:

Order no.	Size	A	B	C	D	E	F	H	H1	HW min.	HW max.	I	K	L	L1	L2	M	N	P	$\alpha$	$\alpha^*$
91348	2	6	52	20	5,5	26	11	23	139	-4,4	4,4	12	6	12,5	78	88	23-31	43	32	105°	60°

\* The opening angle can be changed by pressing in a stop pin.



## No. 6802BS

### Vertical toggle clamp with safety latch, black

For open and clamped positions. With open clamping arm and vertical base.

Matte black surface. Stainless steel rivets, which run in hardened bushes. Bearings are pre-lubricated.

Ergonomic, oil-resistant black handle with large grip surface and soft components. Safety clamping piece with finger protection. Lock washer for the thrust bolt at the end of the clamping arm.

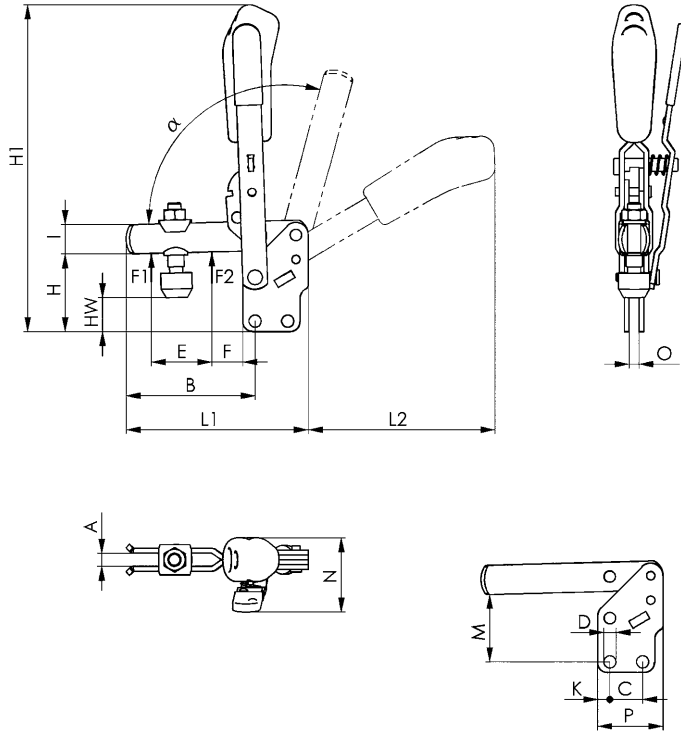
Complete with tempered, matte-black clamping screw no. 6890B.

Order no.	Size	F1 [kN]	F2 [kN]	Clamping screw	Weight [g]
99689	3	1,4	2,5	M8x63	470

#### Note:

These clamps are suitable for photogrammetric use. The matte-black surface of the clamps prevents reflection while photographing.

For suitable clamping arm extension see no. 6896.



#### Recommendations



No. 6890B,  
page 149



No. 6802B,  
page 109



No. 6800B,  
page 108

#### Dimensions:

Order no.	Size	A	B	C	D	E	F	H	H1	HW min.	HW max.	I	K	L1	L2	M	N	O	P	$\alpha$	$\alpha^*$
99689	3	8	79	20	7,5	37	19	48	200	16,5	25	18	7,5	112	114	41	45,5	6	40	105°	60°

CAD



Subject to technical alterations.

## No. 6832BS

### Horizontal toggle clamp with safety latch, black

For open and clamped positions. With open clamping arm and vertical base.

Matte black surface. Stainless steel rivets, which run in hardened bushes. Bearings are pre-lubricated.

Ergonomic, oil-resistant black handle with large grip surface and soft components. Lock washer for the thrust bolt at the end of the clamping arm.

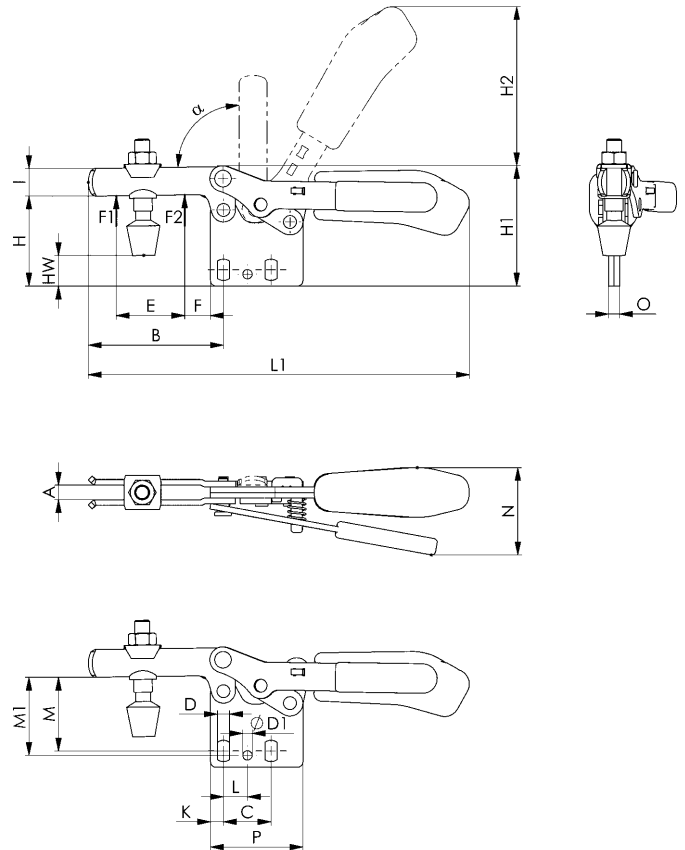
Complete with tempered, matte-black clamping screw no. 6890B.

Order no.	Size	F1 [kN]	F2 [kN]	Clamping screw	Weight [g]
99648	3	1,8	2,5	M8x63	390

#### Note:

These clamps are suitable for photogrammetric use. The matte-black surface of the clamps prevents reflection while photographing.

For suitable clamping arm extension see no. 6896.



#### Recommendations



No. 6896,  
page 153



No. 6890B,  
page 149



No. 6835BS-2,  
page 118

#### Dimensions:

Order no.	Size	A	B	C	D	D1	E	F	H	H1	H2	HW min.	HW max.	I	K	L	L1	M	M1	N	O	P	$\alpha$
99648	3	8	73	25,7	6,5	5,1	37	14	49	65	86	9	22	15	7	13	206	38-42	42	47	6	50	90°



## No. 6835BS-2

### Horizontal toggle clamp with safety latch, black

For open and clamped positions. With open clamping arm and vertical, open base.

Matte black surface. Stainless steel rivets, which run in hardened bushings. Bearings are pre-lubricated.

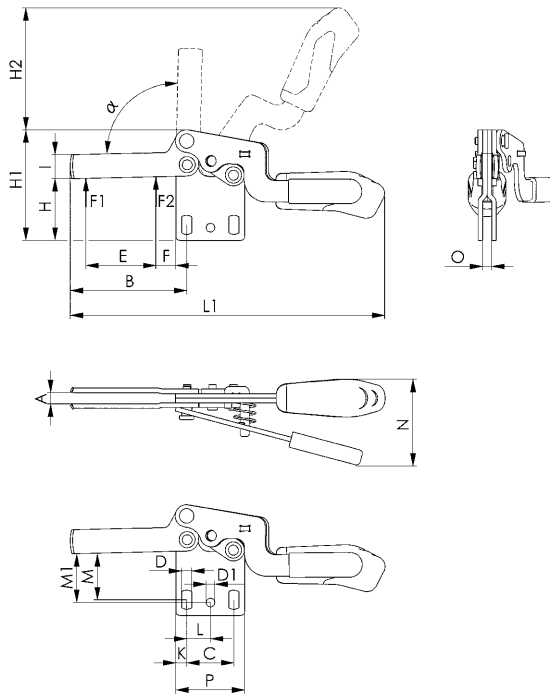
Ergonomic, oil-resistant black handle with large grip surface and soft components. Lock washer for the thrust bolt at the end of the clamping arm.

Order no.	Size	F1 [kN]	F2 [kN]	Weight [g]
90712	2	1,0	1,2	230

#### Note:

These clamps are suitable for photogrammetric use. The matte-black surface of the clamps prevents reflection while photographing.

For suitable clamping arm extension see no. 6896.



#### Recommendations



No. 6896,  
page 153



No. 6890B,  
page 149



No. 6832BS,  
page 117

#### Dimensions:

Order no.	Size	A	B	C	D	D1	E	F	H	H1	H2	I	K	L	L1	M	M1	N	O	P	$\alpha$
90712	2	6,2	64	26,0	5,6	4,8	38,6	11,0	34	61	67	13,2	6	13,1	173,5	23,0-28,0	27	48,0	5	38	90°

CAD



Subject to technical alterations.

## No. 6835BS-3

### Horizontal toggle clamp with safety latch, black

For open and clamped positions. With open clamping arm and vertical, open base.

Matte black surface. Stainless steel rivets, which run in hardened bushes. Bearings are pre-lubricated.

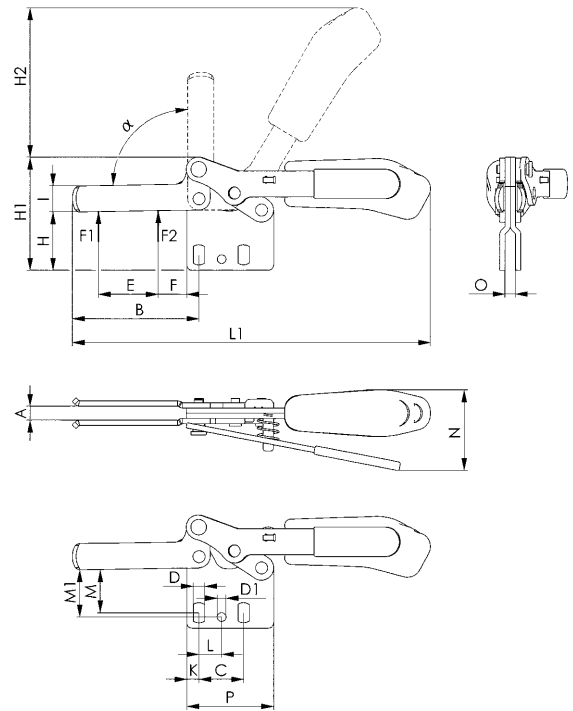
Ergonomic, oil-resistant black handle with large grip surface and soft components. Lock washer for the thrust bolt at the end of the clamping arm.

Order no.	Size	F1 [kN]	F2 [kN]	Weight [g]
90662	3	1,8	2,5	350

#### Note:

These clamps are suitable for photogrammetric use. The matte-black surface of the clamps prevents reflection while photographing.

For suitable clamping arm extension see no. 6896.



#### Recommendations



No. 6896,  
page 153



No. 6890B,  
page 149

#### Dimensions:

Order no.	Size	A	B	C	D	D1	E	F	H	H1	H2	I	K	L	L1	M	M1	N	O	P	$\alpha$
90662	3	8,0	73	25,7	6,5	5,1	34,5	16,5	34	65	86	15,0	7	13,0	206,0	22,5-27,5	27	46,5	6	50	90°



## > AMF PNEUMATIC TOGGLE CLAMPS

have definite advantages over the manual toggle clamps:

- > relieve operator of strenuous clamping movement
- > a number of clamps can be used simultaneously
- > a number of clamps can be operated with different sequences
- > one or more clamps can be controlled from the machine panel
- > one or more clamps can be operated from different positions.

## > ADVANTAGES OF THE TOGGLE ACTION...

- > in the event of air failure, clamp stays locked
- > low air consumption with maximum leverage
- > large opening angle, clearing the component for easy removal
- > assures maximum power-to movement ratio.

## > SELECTION GUIDE

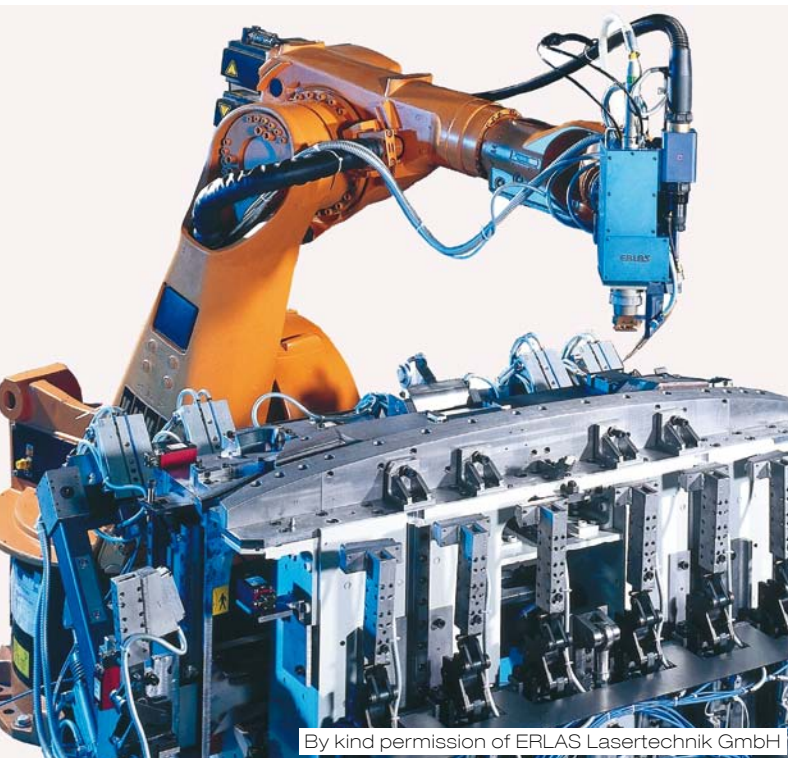
The pneumatic toggle clamp no. 6820 correspond in design and dimensions to the mechanical toggle clamp no. 6800. Therefore hand operated clamps can be replaced with pneumatic toggle clamps - if required.

Heavy duty pneumatic toggle clamps no. 6825A/CE and no. 6826A are recommended to be incorporated in special and transfer machines. Tempered and ground bolts guarantee long life. The push type pneumatic toggle clamp no. 6850A corresponds in design and dimensions to the mechanical toggle clamp no. 6842 when pushed/closed, maximum forces of 2.5 - 10 kN can be reached.

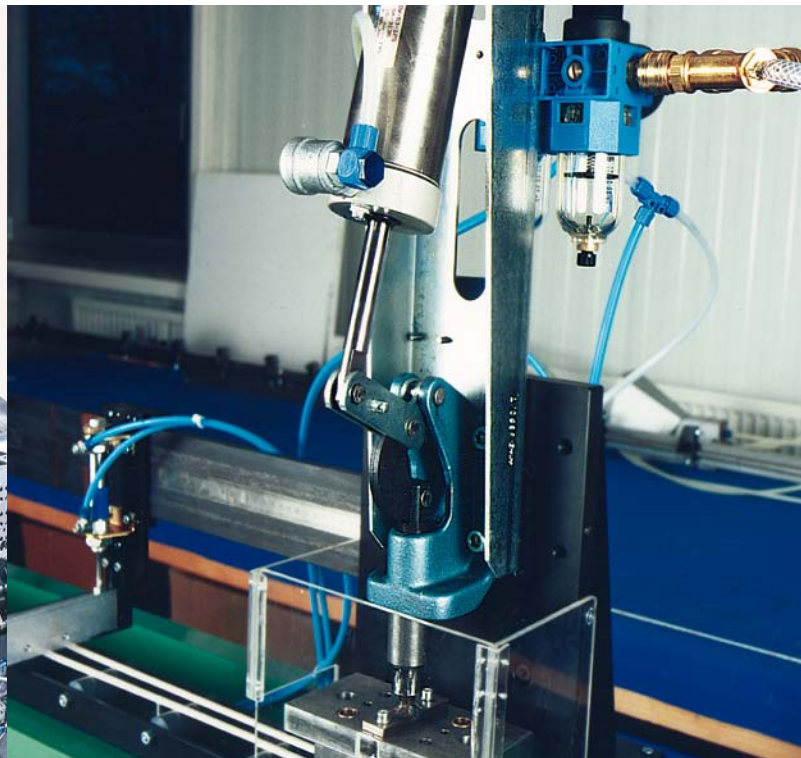
## > CLAMPING AND HOLDING FORCES

As already explained for the hand operated toggle clamps, the selection of the correct clamp is of utmost importance. To select the correct size of pneumatic clamp, apart from the holding force, the possible clamping force at 6 bar air pressure (other pressure media may also be used at pressures up to max. 10 bar) is indicated in the tables

- > F3 is the possible clamping force at the end of the arm.
- > F4 is the force applied at the fulcum.
- > F5 is the piston force 6 bar air pressure.



By kind permission of ERLAS Lasertechnik GmbH





## No. 6850A

### Push type pneumatic toggle clamp

Push-type clamp.  
Heavy version for long working life. Pneumatic cylinder with magnetic piston for end-position monitoring. Console galvanized and passivated, clamp body made of malleable iron casting, painted. Lever parts and push rod made of tempered steel, galvanized and passivated. Stainless steel rivets. Bearing positions are greased.

**Complete with tempered, galvanised clamping screw no. 6880.**



CAD

Order no.	Size	F1 [kN]	F3 [kN]	F5 [kN]	Vn [dm <sup>3</sup> ]	Clamping screw	Weight [g]
560007	3	4	2,5	0,75	0,8	M8 x 35	2610
560008	5	10	5,0	1,00	2,2	M12 x 50	5265
560009	7	25	10,0	1,80	4,5	M12 x 50	6120

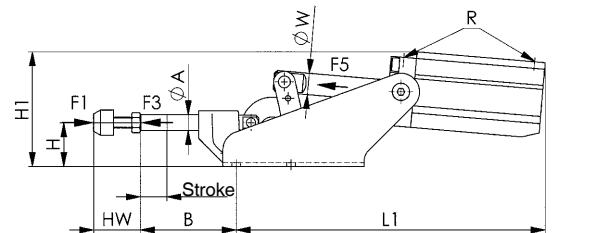
#### Note:

Sizes 5 and 7 are not to design, and have long consoles.  
Suitable proximity switches for end-position monitoring are available using order no. 392241.  
0.3 m PUR cable with M8 connector and rotatable knurled nuts.  
Switching function: NOC. Output: PNP.

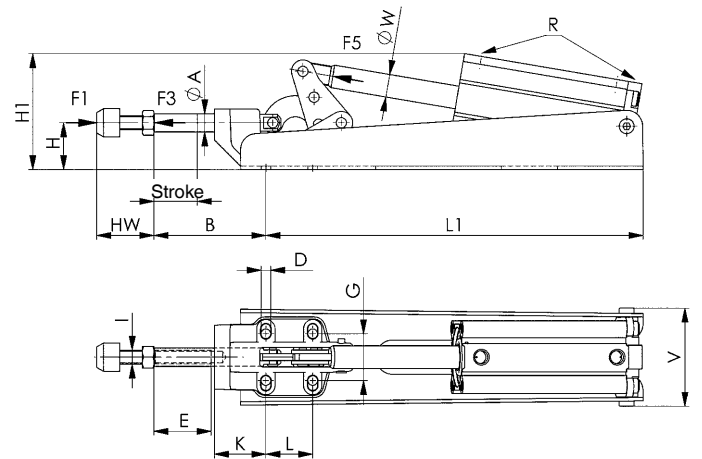
**NEW!**



Size 3



Size 5, 7



#### Dimensions:

Order no.	Size	dia. A	B	D	E	G	H	H1	Stroke	HW min.	HW max.	I	K	L	L1	R	V	dia. W	Piston dia.
560007	3	12	72	6,5	30	41	33	86	20	21,5	35	M8	28	41	232	G1/8	83	16	40
560008	5	16	98	8,5	50	41	41	102	29	30,0	50	M12	45	41	316	G1/4	86	20	50
560009	7	22	105	11,0	50	57	59	131	38	30,0	50	M12	45	70	422	G1/4	114	20	63

## No. 6860P

### Combi-clamp, pneumatic

Galvanized and passivated. Stainless steel rivets which run in case-hardened bearing bushes. Bearing points greased. Equipped with pneumatic cylinder, double-acting, red anodised.

With magnetic piston for limit position query.



CAD

Order no.	Size	F1 [kN]	F2 [kN]	F3 [kN]	F4 [kN]	F5 [kN]	Vn [dm³]	Weight [g]
90787	1	1,0	1,0	0,3	0,12	0,26	0,26	770
91488	2	2,0	2,0	0,5	0,25	0,35	0,35	1450
92163	3	3,0	3,0	0,7	0,35	0,80	0,80	3050

F3 or F4 = max. achievable clamping force at 6 bar.

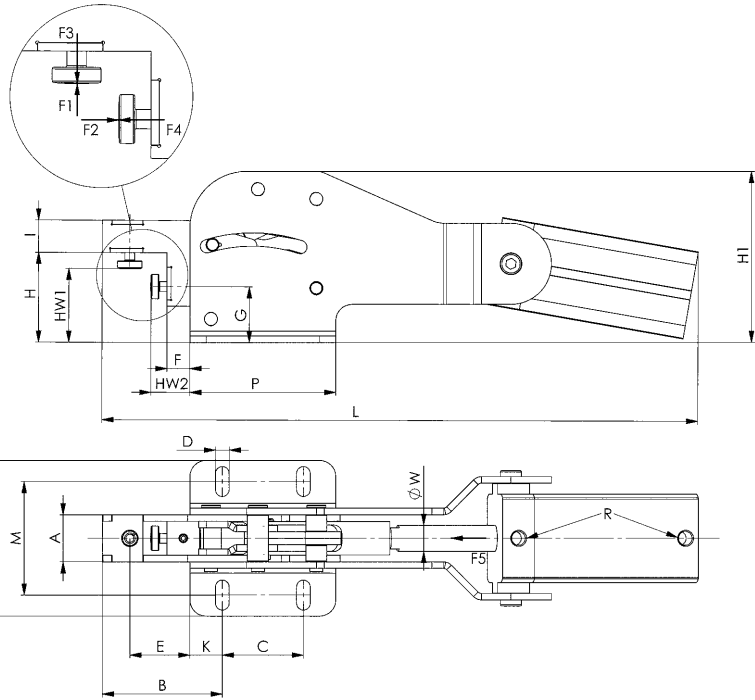
Vn = air consumption per double stroke in dm³ at 6 bar.

#### Note:

Suitable proximity switches for end-position monitoring are available using order no. 392241.

0.3 m PUR cable with M8 connector and rotatable knurled nuts.

Switching function: NOC. Output: PNP.



#### Recommendations



No. 6860,  
page 42

#### Dimensions:

Order no.	Size	A	B	C	D	E	F	G	H	H1	HW1 min.	HW1 max.	HW2 min.	HW2 max.	I	K
90787	1	17,0	33	40	5,5	15	0,5	22	36,0	68	25	32	5	10	12	7,5
91488	2	19,5	56	50	6,5	32	10,5	28	46,0	88	30	40	10	20	16	12,5
92163	3	29,0	74	50	8,5	37	14,0	34	55,5	106	40	50	20	30	20	20,0

Order no.	Size	L	M	N	P	R	dia. W	Piston dia.
90787	1	225	34,5-39,5	53	55	M5	10	25
91488	2	305	55	75	75	G1/8	12	32
92163	3	370	70	96	90	G1/8	16	40

## No. 6820P

### Pneumatic toggle clamp

With horizontal cylinder attachment.

Plastic pneumatic cylinder, double-acting and ready to connect. Clamps galvanized and passivated, rivets made of stainless steel, which, for sizes 2 and 3, run in hardened bearing bushes. Bearing positions are greased.

**Complete with tempered, galvanised clamping screw no. 6890.** The console is self-supporting and must be clear of other surfaces.



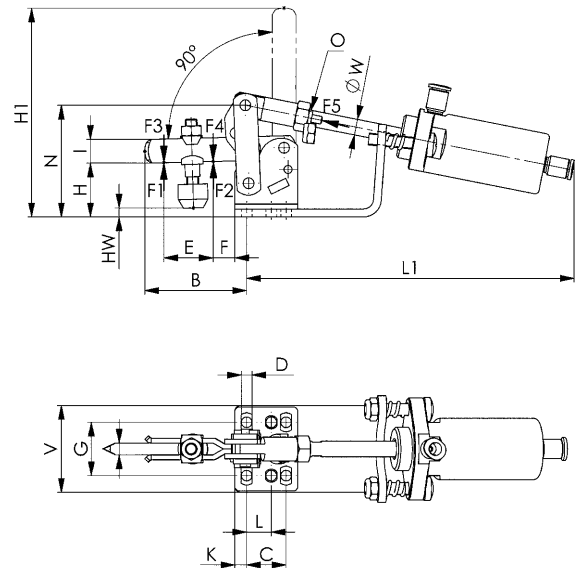
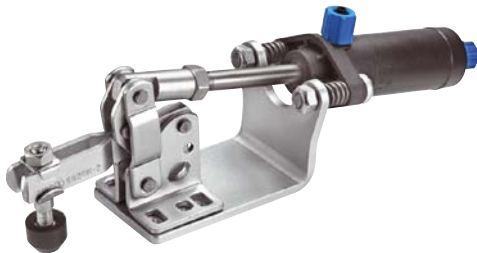
CAD

Order no.	Size	F1 [kN]	F2 [kN]	F3 [kN]	F4 [kN]	F5 [N]	Vn [dm <sup>3</sup> ]	Clamping screw	Weight [g]
559791	0	0,5	0,7	0,07	0,09	38	0,03	M4 x 25	125
559792	1	0,8	1,1	0,13	0,18	60	0,06	M5 x 30	400
559793	2	1,0	1,2	0,35	0,50	170	0,17	M6 x 35	600
559794	3	1,4	2,5	0,55	1,00	265	0,30	M8 x 45	800

F3 or F4 = max. achievable clamping force at 6 bar.

Vn = air consumption per double stroke in dm<sup>3</sup> at 6 bar.

**NEW!**



### Dimensions:

Order no.	Size	A	B	C	D	E	F	G	H	H1	HW min.	HW max.	I	K
559791	0	4	31	13,5	4,5	14	5,5	23	20	70	-1	6	8	5,0
559792	1	5	39	16,0	4,5	18	6,0	24	22	85	-2	5	10	6,0
559793	2	6	52	20,0	5,4	25	11,0	27	27	106	1	8	12	6,0
559794	3	8	78	20,0	7,1	37	19,0	32	38	152	7	16	18	7,5

Order no.	Size	L	L1	N	O	V	dia. W	Piston dia.	Outside-Ø for compressed air tubing
559791	0	-	132	41	M4	33	4	10	4
559792	1	-	145	45	M6	34	6	12	6
559793	2	12,5	163	56	M8	44	8	20	6
559794	3	-	205	76	M10 x 1,25	50	10	25	6

Subject to technical alterations.

## No. 6820A

### Pneumatic clamp

with horizontal cylinder attachment.  
Fitted with pneumatic cylinder, double-acting. **With magnetic piston for end-position monitoring.** With throttle bores for reduced speed. Clamps are galvanised and passivated. Stainless steel rivets which, for sizes 2 to 4, run in hardened bearing bushes. Bearings positioned are lubricated.

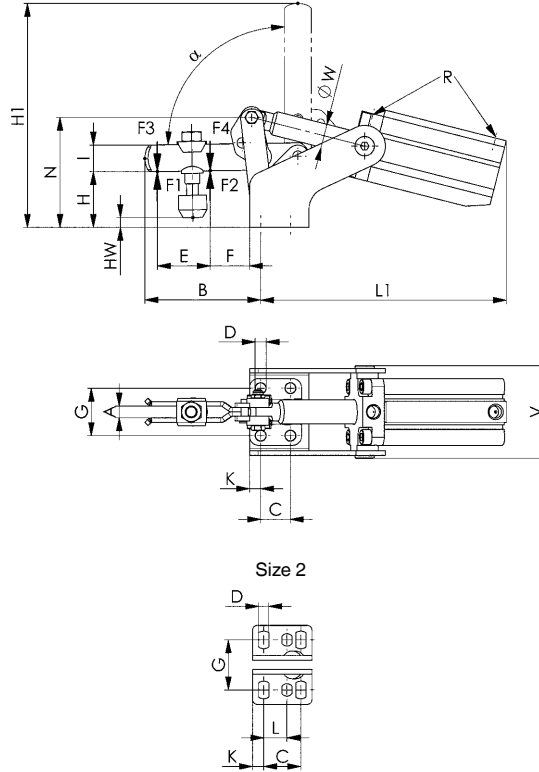
**Complete with tempered, galvanised clamping screw no. 6890.**



Order no.	Size	F1 [kN]	F2 [kN]	F3 [kN]	F4 [kN]	Vn [dm <sup>3</sup> ]	Clamping screw	Weight [g]
555061	1	0,8	1,1	0,20	0,3	0,08	M5 x 30	320
555062	2	1,0	1,2	0,70	1,0	0,26	M6 x 35	600
555063	3	1,0	2,5	0,65	1,1	0,35	M8 x 45	1005
555064	4	2,0	3,0	1,50	2,2	0,80	M8 x 65	1520

#### Note:

Suitable proximity switches for end-position monitoring are available using order no. 392241. 0.3 m PUR cable with M8 connector and rotatable knurled nuts.  
Switching function: NOC. Output: PNP.



#### Recommendations



No. 6895,  
page 154



No. 6821A,  
page 125

#### Dimensions:

Order no.	Size	A	B	C	D	E	F	G	H	H1	HW min.	HW max.	I	K	L	L1	N	R	V	dia. W	Piston dia.	Opening angle $\alpha$
555061	1	5	39,0	16	4,5	18	6	24	21,0	84	-2,0	4,5	10	6,0	-	126,0	45,5	M5	50,0	8	16	92,0°
555062	2	6	51,5	20	5,5	25	11	27	26,0	104	-1,0	7,0	12	6,0	12,5	145,0	55,0	M5	54,5	12	25	91,5°
555063	3	8	78,0	20	7,5	36	19	32	36,5	151	5,4	14,0	18	7,5	-	165,5	74,5	G1/8	62,5	16	32	90,0°
555064	4	10	101,0	32	8,6	45	25	45	45,0	191	-3,0	25,5	20	13,0	-	196,0	90,0	G1/8	77,5	16	40	90,5°

## No. 6821A

### Pneumatic clamp

with vertical cylinder structure.

Space-saving angled form. Vertical or horizontal mounting. Fitted with pneumatic cylinder, double-acting.

**With magnetic piston for end-position monitoring.**

With throttle bores for reduced speed. Clamps are galvanised and passivated. Stainless steel rivets, which run in hardened bearing bushes. Bearings positioned are lubricated.

**Complete with tempered, galvanised clamping screw no. 6890.**



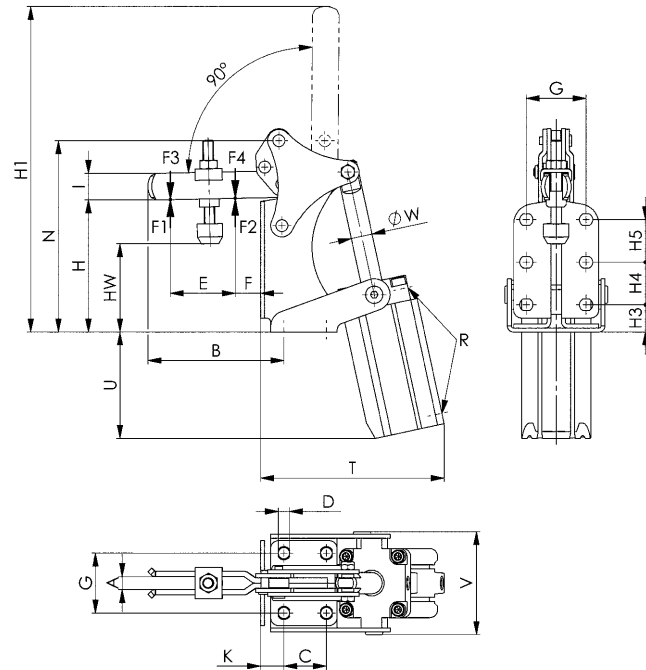
CAD

Order no.	Size	F1 [kN]	F2 [kN]	F3 [kN]	F4 [kN]	Vn [dm <sup>3</sup> ]	Clamping screw	Weight [g]
555065	2	1	1,2	0,70	1,0	0,26	M6 x 35	625
555066	3	1	2,5	0,65	1,1	0,35	M8 x 45	1025
555067	4	2	3,0	1,50	2,2	0,80	M8 x 65	1700

### Note:

Suitable proximity switches for end-position monitoring are available using order no. 392241. 0.3 m PUR cable with M8 connector and rotatable knurled nuts.

Switching function: NOC. Output: PNP.



### Recommendations



No. 6895,  
page 154



No. 6829V,  
page 129



No. 6826A,  
page 128

### Dimensions:

Order no.	Size	A	B	C	D	E	F	G	H	H1	H3	H4	H5	HW min.	HW max.	I	K	N	R	T	U	V	dia. W	Piston dia.
555065	2	6	56,5	12,5	5,6	25	6,5	27	65,0	143,5	15,8	12,5	12,5	38,4	45,0	12	15,3	94	M5	93,0	67,5	54,5	12	25
555066	3	8	80,5	16,0	6,5	36	12,5	25	68,7	184,0	17,5	16,0	-	38,0	46,5	18	16,5	107	G1/8	112,5	78,0	62,5	16	32
555067	4	10	102,0	32,0	8,5	49	19,0	45	100,0	245,0	20,5	32,0	32,0	51,0	80,0	20	17,5	144	G1/4	139,0	80,0	77,5	16	40

No. 6825A

## Heavy pneumatic toggle clamp

With horizontal cylinder attachment.  
Tempered steel, burnished. The bearing bolts running in bearing bushes are tempered, ground and locked with circlips.  
With magnetic piston for end-position monitoring.  
Ready to connect, comprising:  
- mechanical element  
- double acting pneumatic cylinder



Order no.	Size	F1 [kN]	F2 [kN]	F3 [kN]	F4 [kN]	F5 [kN]	Vn [dm <sup>3</sup> ]	Weight [g]
559769	4	6	9	1,5	2,2	0,75	1,0	4800
559770	6	12	18	2,5	3,5	1,00	1,8	6965
559771	8	20	30	4,0	6,0	1,80	4,3	12785

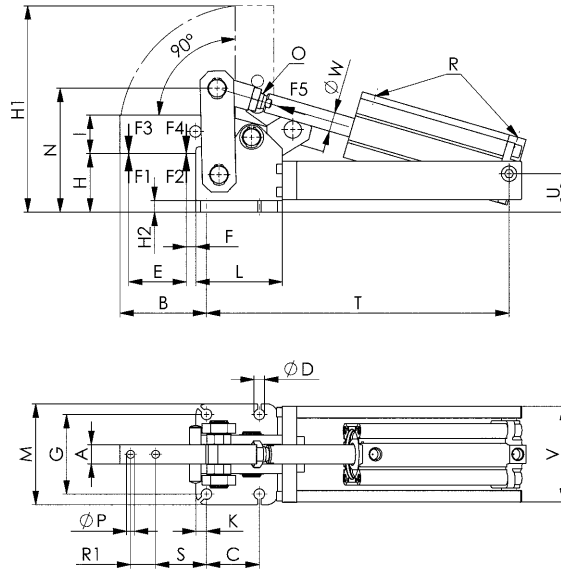
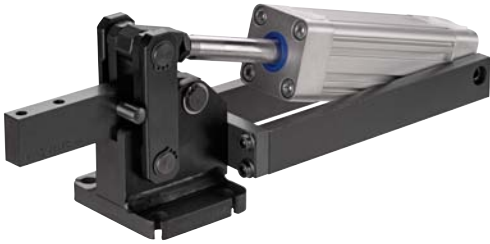
### Application:

These pneumatic toggle clamps are of machine tool quality and can be installed in machines such as material handling lines and special machines. Opening and clamping position of the clamp can be controlled electrically and can be integrated into automated manufacturing.

### Note:

This heavy pneumatic toggle clamp is also available in a hydraulicdrive version (article no. 6960C). In case of interest, please ask for our catalogue „Hydraulic Clamping Systems“. Suitable proximity switches for end-position monitoring are available using order no. 392241. Design: PUR cable 0.3 m with M8 plug connection and rotating knurled nuts. Switching function: NOC. Output: PNP.

**NEW!**



### Dimensions:

Order no.	Size	A	B	C	dia. D	E	F	G	H	H1	H2	I	K	L
559769	4	15	82	52	11	54	10,0	70	57	197	12	30	10,0	82
559770	6	20	90	55	11	60	10,0	83	61	215	12	40	11,0	90
559771	8	30	128	80	13	95	9,5	111	86	306	12	60	12,5	120

Order no.	Size	M	N	O	dia. P	R	R1	S	T	U	V	dia. W	Piston dia.
559769	4	90	109	M12 x 1,25	6,2	G1/8	27	47,0	277	35,5	82	16	40
559770	6	105	129	M16 x 1,50	8,2	G1/4	26	53,0	315	40,0	100	20	50
559771	8	135	176	M16 x 1,50	13,0	G1/4	40	69,5	383	54,0	123	20	63

Subject to technical alterations.

## No. 6825CE

### Heavy pneumatic toggle clamp

with horizontal cylinder attachment.

With adjustable end position cushioning.

**Magnetic piston for end-position monitoring.** Tempered steel, blued. The axle bolts running in bronze bushes are tempered, ground and locked with circlips.

Clamp is ready for installation and consists of:

- toggle clamp element
- double acting FESTO pneumatic cylinder
- bearing block

These cylinders are made to DIN ISO 6432.



Order no.	Size	F1 [kN]	F2 [kN]	F3 [kN]	F4 [kN]	F5 [kN]	Vn [dm <sup>3</sup> ]	Weight [g]
92106	0	0,6	1,0	0,2	0,4	0,10	0,10	260
92122	1	0,8	1,2	0,6	0,8	0,19	0,15	500

F3 or. F4 = max. achievable clamping force at 6 bar.

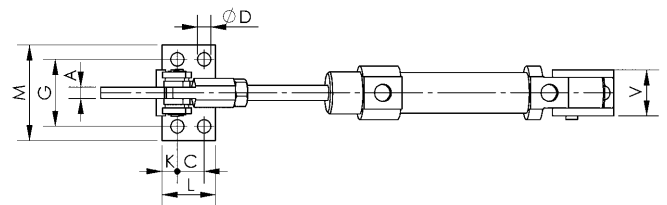
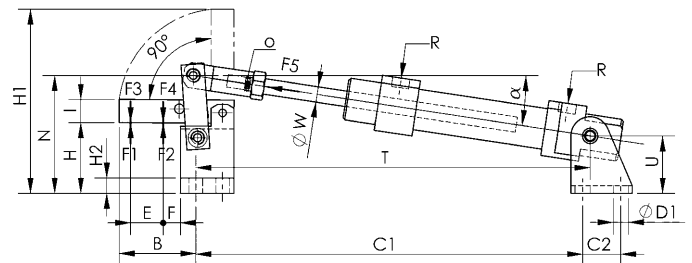
Vn = air consumption per double stroke in dm<sup>3</sup> at 6 bar.

### Application:

These pneumatic toggle clamps are of machine tool quality and can be installed in machines such as material handling lines and special machines. Opening and clamping position of the clamp can be controlled electrically and can be intergrated into automated manufacturing.

### Note:

Please enquire separately for suitable fastening kits and proximity switches for end position monitoring.



### Recommendations



No. 6825A,  
page 126



No. 6828V,  
page 136

### Dimensions:

Order no.	Size	A	B	C	C1	C2	dia. D	dia. D1	E	F	G	H	H1	H2	I
92106	0	5	34	11	175	15	4,5	5,5	14	7	27	26	76	6	10
92122	1	6	41	14	200	20	7,0	6,5	17	9	35	37	96	8	12

Order no.	Size	K	L	M	N	O	R	T	U	V	dia. W	α	Piston dia.	Piston stroke
92106	0	5,5	22	35	47,5	M6	M5	177	27	18	6	6,6°	16	40
92122	1	8,0	28	50	62,0	M8	G1/8	204	30	24	8	9,0°	20	40

Piston dia. = Cylinder dia. required for piston force F5 at 6 bar air pressure.

No. 6826A

## Heavy pneumatic toggle clamp

with vertical cylinder attachment.  
 Tempered steel, burnished. The bearing bolts running in bearing bushes are tempered, ground and locked with circlips.  
 With magnetic piston for end-position monitoring.  
 Ready to connect, comprising:  
 - mechanical element  
 - double acting pneumatic cylinder



Order no.	Size	F1 [kN]	F2 [kN]	F3 [kN]	F4 [kN]	F5 [kN]	Vn [dm³]	Weight [g]
559772	4	6	9	1,5	2,2	0,75	1,0	3850
559773	6	12	18	2,5	3,5	1,00	1,6	6950
559774	8	20	30	4,0	6,0	1,80	1,8	13160

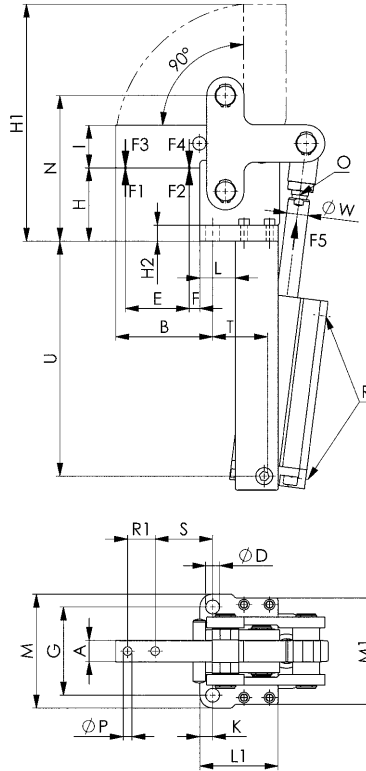
### Application:

These pneumatic toggle clamps are of machine tool quality and can be installed in machines such as material handling lines and special machines. Opening and clamping position of the clamp can be controlled electrically and can be integrated into automated manufacturing.

### Note:

Suitable proximity switches for end-position monitoring are available using order no. 392241.  
 Design: PUR cable 0.3 m with M8 plug connection and rotating knurled nuts.  
 Switching function: NOC.  
 Output: PNP.

**NEW!**



### Dimensions:

Order no.	Size	A	B	dia. D	E	F	G	H	H1	H2	I	K	L	L1
559772	4	15	82	11	54	10,0	70	65	205	12	30	10	37,0	67,0
559773	6	20	91	13	60	10,0	83	69	223	15	40	12	33,5	73,5
559774	8	30	125	17	95	9,5	115	94	314	20	60	15	49,0	109,0

Order no.	Size	M	M1	N	O	dia. P	R	R1	S	T	U	dia. W	Piston dia.
559772	4	90	82	117	M12 x 1,25	6,2	G1/8	27	47	45,5	193	16	40
559773	6	107	100	137	M16 x 1,50	8,2	G1/4	26	54	48,5	221	20	50
559774	8	145	115	184	M16 x 1,50	13,0	G1/4	40	67	77,0	255	20	63

Subject to technical alterations.



## No. 6829V

### Link Clamp, pneumatic, flange-mounting version

#### dual acting.

Parts of mechanism are made of steel and blued. Piston rod non-rusting, polished. Body is made of aluminium, red anodised. HART-COAT® surface for wear-resistance.  
**Complete with clamping screw.**



CAD

Order no.	Size	F3 [kN]	Clamping screw	Weight [g]
93609	25	0,23	M 6x25	580
93617	32	0,37	M 8x35	950
93625	40	0,56	M 8x35	1200
93633	50	0,76	M12x50	1900
93641	63	1,35	M12x50	2300

#### Attachment options:

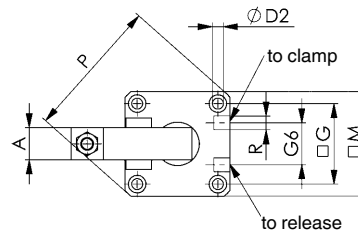
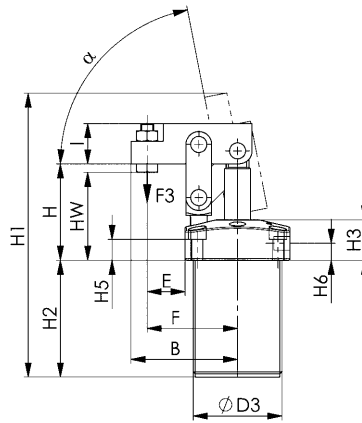
- from above by cylinder screws through the flange
- screwed in using the threads and secured with lock nut
- both ends secured with lock nuts

#### Accessories (not supplied as standard):

- lock nut no. 6829N
- threaded flange bi. 6829GF
- clamping screw no. 6880

#### Note:

The lever mechanism can be dismantled so that it can be individually modified. The mounting holes in the flange are similar to those in threaded flange No. 6829GF.  
 Operate only with lubricated air.



#### Recommendations



No. 6828M,  
page 130



No. 6829BR/BL,  
page 140

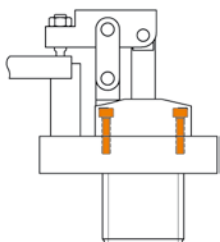


No. 6829ER/EL,  
page 142

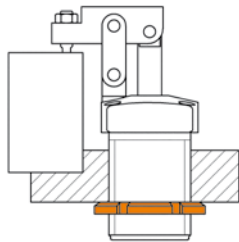
#### Dimensions:

Order no.	Size	A	B	dia. D2	dia. D3	E	F	G	G6	H	H1	H2	H3	H5	H6	HW	I	M	P	R	Piston dia.	$\alpha$
93609	25	16	48,0	5,5	M40x1,5	16,0	41,0	37	23	51,0	144	62	25	15	12,0	37-47	17	50	66	M5	25	79°
93617	32	16	60,0	6,5	M50x1,5	22,0	52,0	45	23	57,0	170	73	25	13	10,5	50-56	20	60	80	G1/8	32	80°
93625	40	20	66,0	6,8	M55x1,5	23,5	56,0	50	26	60,0	178	73	25	13	10,5	50-54,5	25	65	87	G1/8	40	79°
93633	50	22	77,5	8,5	M65x1,5	26,0	63,5	58	32	65,0	200	79	25	11	10,5	47-57	30	75	100	G1/8	50	72°
93641	63	22	88,0	8,5	M80x1,5	29,5	74,0	70	35	71,5	211	80	25	11	9,0	54-64	30	89	118	G1/8	63	63°

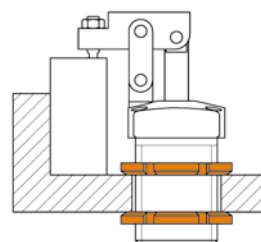
#### Examples of mountings



From above with 4 socket cap screws through the flange.



By screwing the body into a tapped hole and locking with a grooved nut.



By inserting the body into a plain hole and locking with two grooved nuts.

No. 6828M

## Pneumatic toggle clamp

double-acting.

Max. operating pressure 6 bar.

Mini design in block version for clamping and grasping uses.

High-strength aluminium, red anodised. **Magnetic piston for end-position monitoring.** Clamping arm made of steel, burnished, with three holes.



CAD

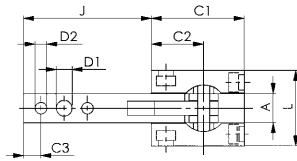
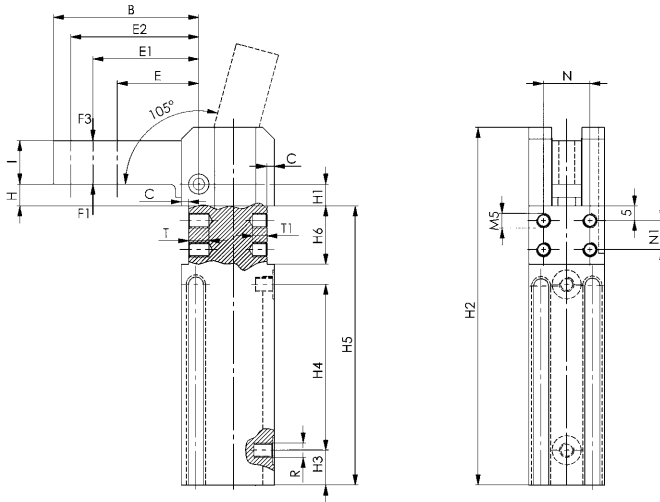
Order no.	Size	Clamping moment at 5 bar	Holding moment max.	Weight
		[Nm]	[Nm]	[g]
91843	16	8	25	300
91868	20	15	54	550
91884	25	25	75	850

### Note:

Suitable proximity switches for end-position monitoring are available using order no. 392241.

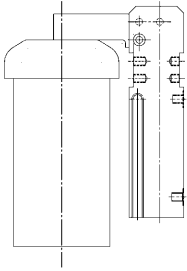
0.3 m PUR cable with M8 connector and rotatable knurled nuts.

Switching function: NOC. Output: PNP.



### Application example:

Mini clamp, e.g. as „cover close device“. Defined, locked close position through toggle lever mechanism.



### Recommendations



No. 6829V,  
page 129



No. 6828V,  
page 136

### Dimensions:

Order no.	Size	A	B	C	C1	C2	C3	D1	D2 H7	E	E1	E2	H	H1	H2
91843	16	10	50	2,5	32	18	6	5,5	4	28	36,0	44	7,5	7,5	123
91868	20	12	60	3,0	39	22	8	6,5	5	32	42,0	52	15,0	14,0	158
91884	25	16	75	4,0	45	25	10	8,5	6	40	52,5	65	19,0	17,0	182

Order no.	Size	H3	H4	H5	H6 +0.1	I	J	L	N ±0.1	N1 ±0.1	R	T	T1	Piston dia.
91843	16	12,0	57	96	20	15	44	26	16	10	M5	7	5	16
91868	20	15,0	69	120	25	18	53	30	20	15	G1/8	8	6	20
91884	25	17,5	80	136	28	22	68	35	25	18	G1/8	8	6	25

Subject to technical alterations.

## No. 6828H

### Pneumatic clamp with lever

double-acting and with additional lever for manual opening and/or closing.

Max. operating pressure 6 bar.

Mini design in block version for clamping and gripping technology. High-strength aluminium, red anodised. **Magnetic piston for end-position monitoring.** Clamp arm made from steel, bronzed, with three bores.



CAD

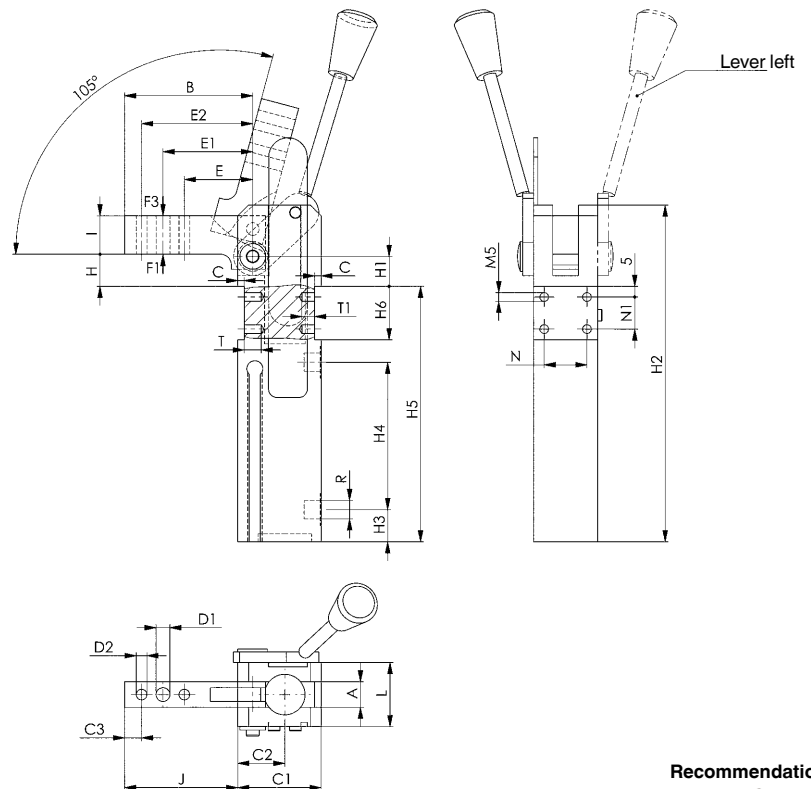
Order no.	Size	Clamping moment at 5 bar [Nm]	Lever left	Lever right	Holding moment max. [Nm]	Weight [g]
555083	16	8	-	●	25	320
555170	16	8	●	-	25	320
555084	20	15	-	●	54	700
555171	20	15	●	-	54	700
555085	25	25	-	●	75	920
555172	25	25	●	-	75	920

### Note:

Suitable proximity switches for end-position monitoring are available using order no. 392241.

0.3 m PUR cable with M8 connector and rotatable knurled nuts.

Switching function: NOC. Output: PNP.



### Recommendations



No. 6829V,  
page 129



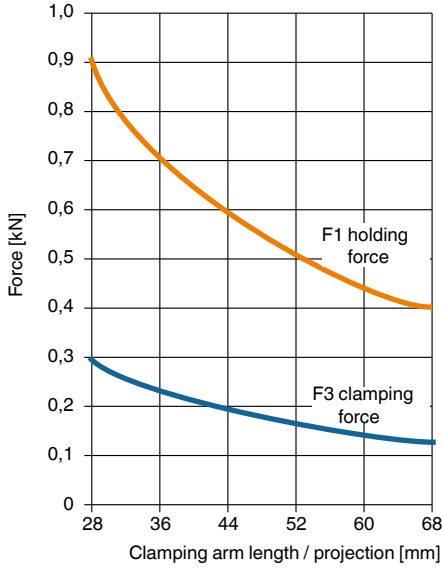
No. 6828V,  
page 136

### Dimensions:

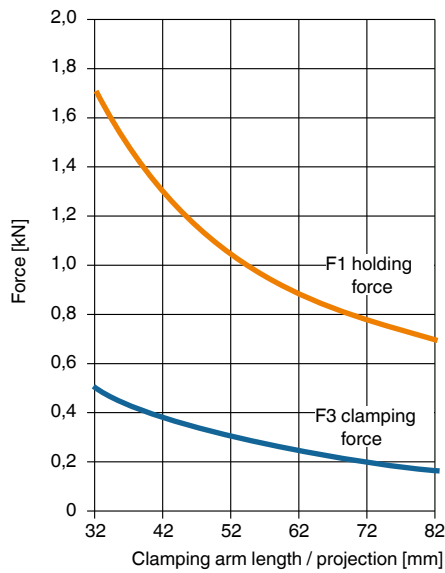
Order no.	Size	A	B	C	C1	C2	C3	D1	D2	H7	E	E1	E2	H	H1	H2	H3	H4	H5	H6 +0.1	I	J	L	N ±0.1	N1 ±0.1	R	T	T1	Piston dia.
555083	16	10	50	2,5	32	18	6	5,5	4	28	36,0	44	7,5	7,5	123	12,0	57	96	20	15	44	26	10	10	M5	7	5	16	
555170	16	10	50	2,5	32	18	6	5,5	4	28	36,0	44	7,5	7,5	123	12,0	57	96	20	15	44	26	10	10	M5	7	5	16	
555084	20	12	60	3,0	39	22	8	6,5	5	32	42,0	52	15,0	14,0	158	15,0	69	120	25	18	53	30	15	15	G1/8	8	6	20	
555171	20	12	60	3,0	39	22	8	6,5	5	32	42,0	52	15,0	14,0	158	15,0	69	120	25	18	53	30	15	15	G1/8	8	6	20	
555085	25	16	75	4,0	45	25	10	8,5	6	40	52,5	65	19,0	17,0	182	17,5	80	136	28	22	68	35	18	18	G1/8	8	6	25	
555172	25	16	75	4,0	45	25	10	8,5	6	40	52,5	65	19,0	17,0	182	17,5	80	136	28	22	68	35	18	18	G1/8	8	6	25	

## Force diagrams No. 6828M and No. 6828H

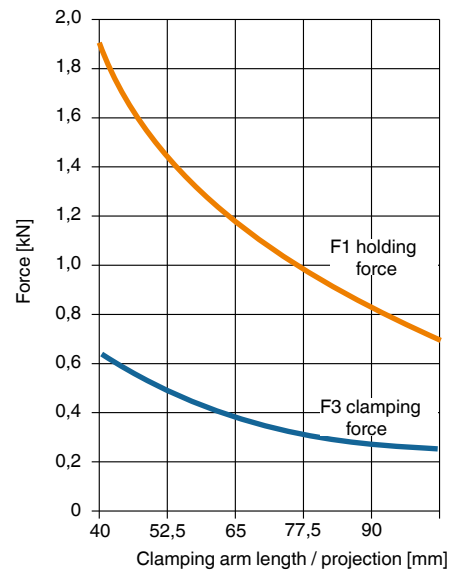
### Size 16



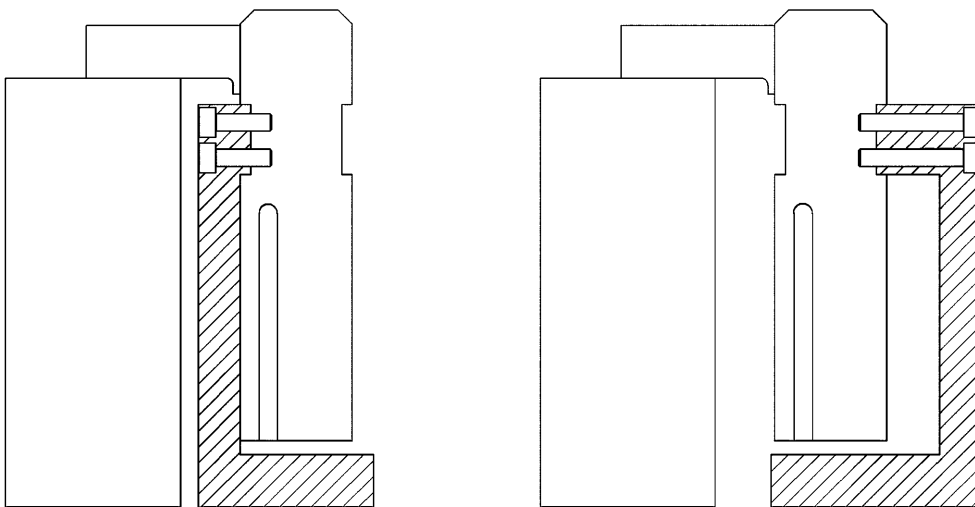
### Size 20

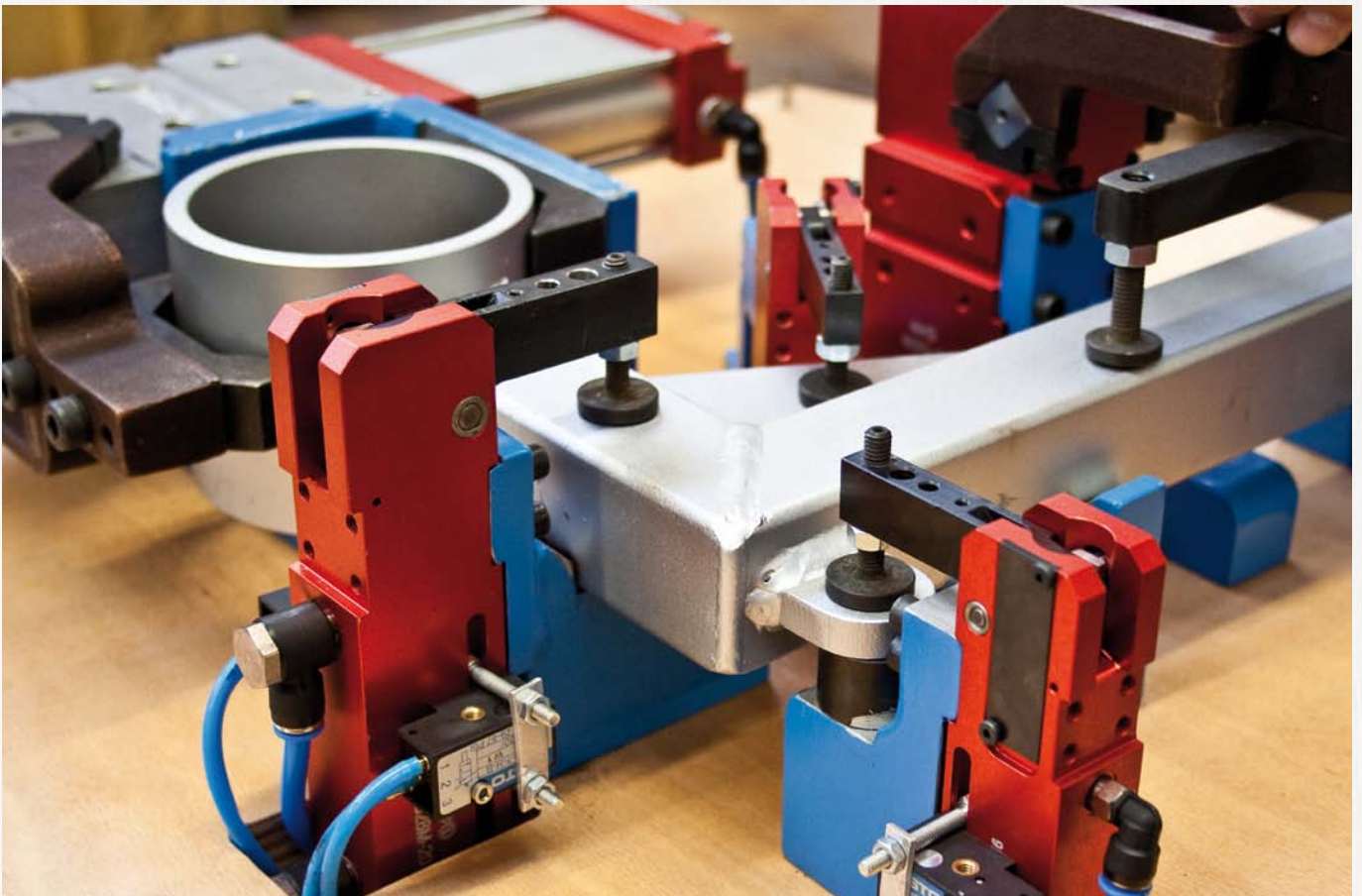
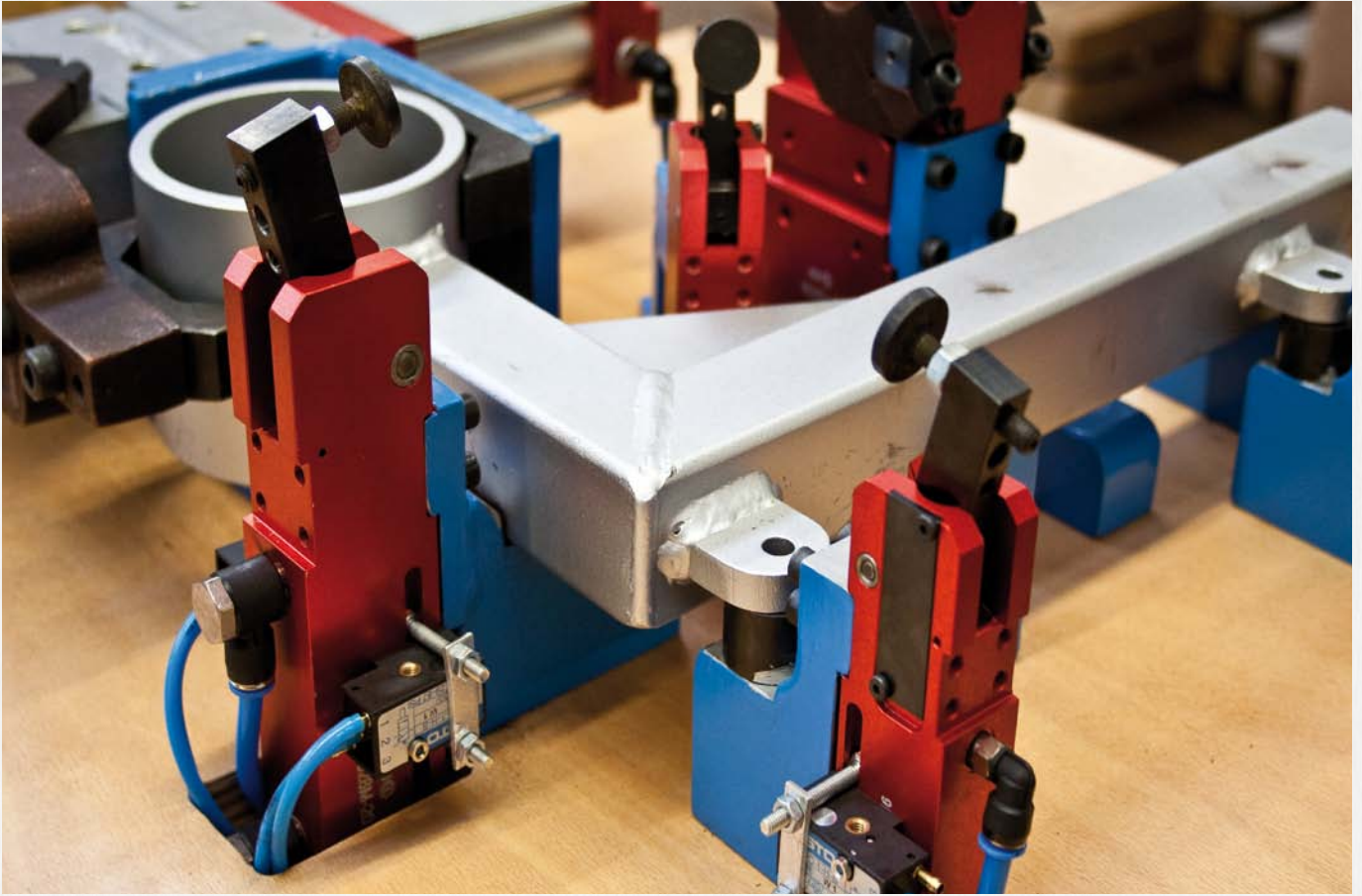


### Size 25



## Examples of mountings:





Subject to technical alterations.

No. 6828V

## Heavy pneumatic toggle clamp

dual acting.

Max. operating pressure 6 bar.

With continuously adjustable opening angle in the range 10° to 135°. Aluminium case. With pneumatic end position cushioning and self-locking. With inductive query 24V as standard.

Supplied without clamp arm.

Accessories (not included in the standard scope of delivery):

- Clamping arm no. 6828SP centre, right and left
- Connecting plug for inductive query

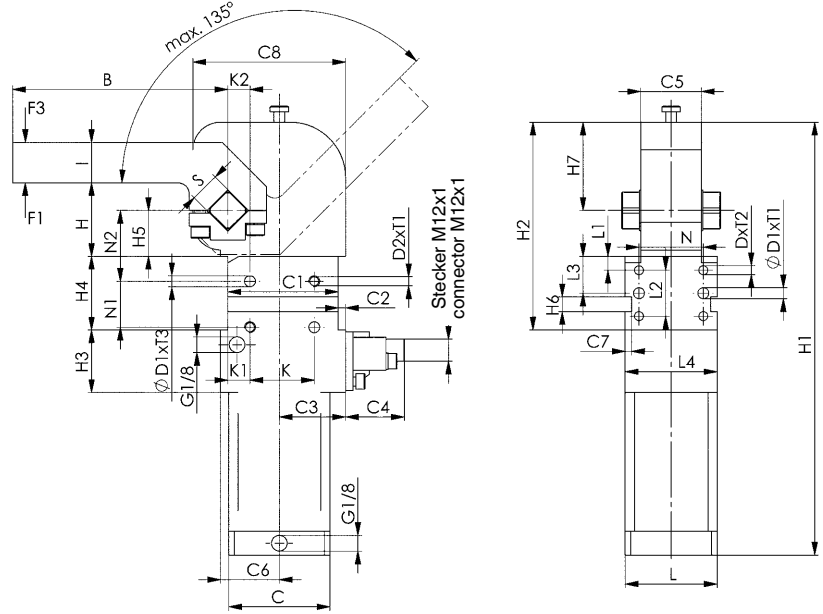


CAD

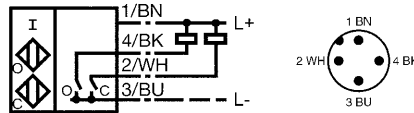
Order no.	Size	Clamping moment at 5 bar	Holding moment max.	Weight
		[Nm]	[Nm]	[Kg]
91835	40	120	380	1,4

### Application:

These pneumatic toggle clamps are suitable for use in material handling lines and special machines. Opening and clamping position of the clamp can be controlled electrically, allowing intergration into automated manufacturing processes.



Connection sketch:



O ... open  
C ... close

### Recommendations



No. 6828SP,  
page 135



No. 6829V,  
page 129



No. 6828V,  
page 136

### Dimensions:

Order no.	Size	B	C	C1 *	C2	C3	C4	C5-0.5	C6	C7	C8	D	dia. D1 H7	D2	H ±0.2	H1	H2	H3	H4 +0.1	H5
91835	40	117	55	60	4	36	34	33	32	3,5	83	M6	6	M6	40	235,5	113	34	40	25

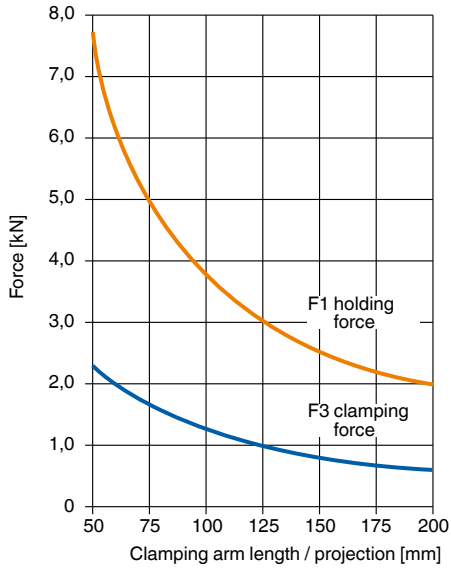
  

Order no.	Size	H6 N9	H7	I ±0,1	K*	K1 ±0.05	K2 ±0.05	L	L1 ±0,1	L2*	L3 ±0.05	L4	N*	N1*	N2 ±0.05	S h9	T1	T2	T3	Piston dia.
91835	40	8	48	22	35	12	12	50	7,5	25	20	50	35	25	38,5	16	8	12	6	40

\* Tolerance for peg holes ±0.02 mm; for threaded holes ±0.1 mm.

Subject to technical alterations.

## Force diagram No. 6828V-40



## No. 6828SP

### Clamp arm

made of steel, for heavy pneumatic toggle clamp no. 6828V, size 40.

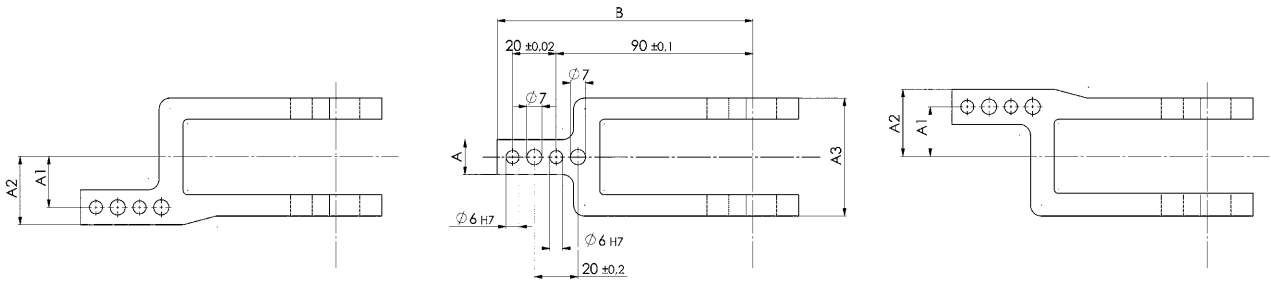


### Clamp arm variants:

SPL (Clamp arm left)

SPM (Clamp arm in the middle)

SPR (Clamp arm right)

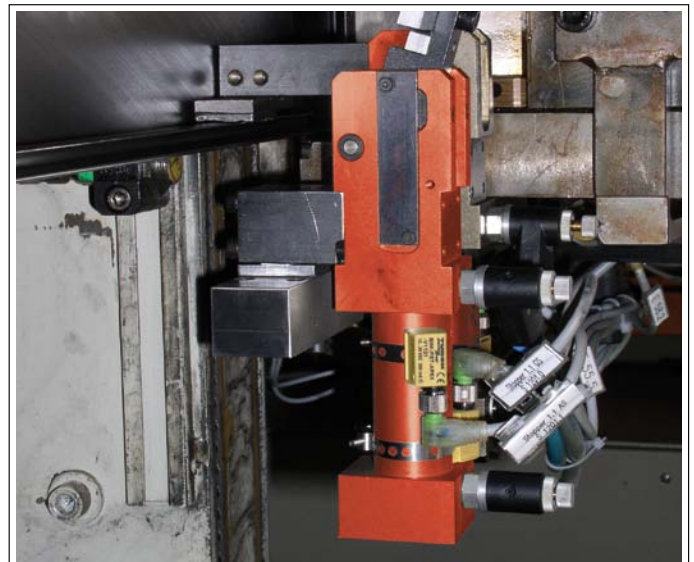


Order no.	Size	Article no.	A -0.1	A1 ±0.1	A2	A3	B	Weight [g]
92080	40	6828SPL-40	16	23	31	54	117	520
91900	40	6828SPM-40	16	23	31	54	117	520
92007	40	6828SPR-40	16	23	31	54	117	520

### Recommendations



No. 6828V, page 134



Subject to technical alterations.

No. 6828V

## Heavy pneumatic toggle clamp

dual acting.

Max. operating pressure 6 bar.

With continuously adjustable opening angle in the range 5° to 135°. Aluminium case. With pneumatic end position cushioning and self-locking. With inductive query 24V as standard.

**Clamp arm not included.**

Accessories (not included in the standard scope of delivery):

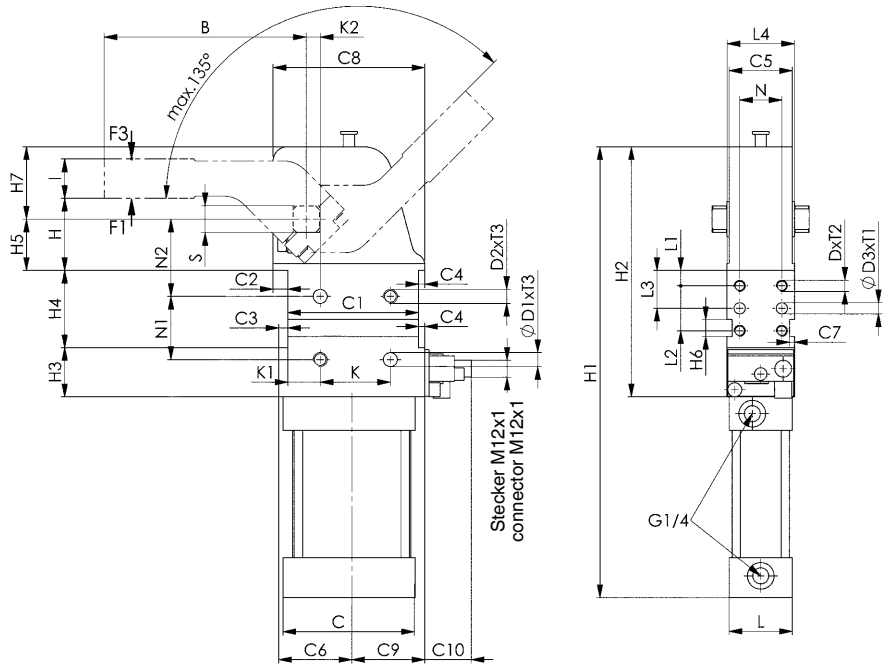
- Clamping arm no. 6828SP centre, right and left
- Connecting plug for inductive query



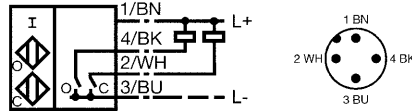
Order no.	Size	Clamping moment at 5 bar	Holding moment max.	Weight [Kg]
		[Nm]	[Nm]	
91850	50	160	800	3,5
91876	63	380	1500	4,6
91892	80	800	2500	15,6

### Application:

These pneumatic toggle clamps are suitable for use in material handling lines and special machines. Opening and clamping position of the clamp can be controlled electrically, allowing intergration into automated manufacturing processes.



Connection sketch:



O ... open  
C ... close

### Recommendations



No. 6828SP,  
page 137



No. 6828M,  
page 130

### Dimensions:

Order no.	Size	B	C	C1*	C2	C3	C4	C5	C6	C7	C8	C9	C10	D	D1	H7	D2	ØD3	H7	H ±0.2	H1	H2	H3	H4 +0.1	H5 ±0.05	H6	H7	l ±0.1
91850	50	144	94	93	10,5	6,5	4,5	45	52	3,5	108,0	52	33	M8	10	M10	8	51,5	321	178	35	55	36,5	12	51,5	28		
91876	63	144	106	93	12,0	7,5	7,5	52	54	3,5	112,5	54	34	M8	10	M10	8	51,5	335	185	35	55	36,5	12	58,5	28		
91892	80	179	140	134	20,0	8,0	8,0	74	81	3,5	162,0	72	33	M10	12	M12	8	70,0	488	270	55	80	50,0	12	88,0	35		

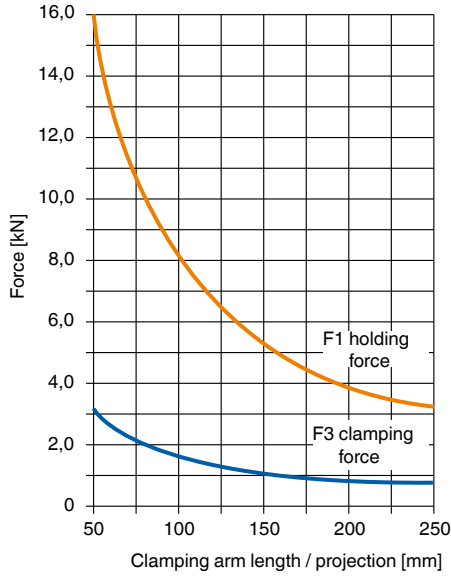
Order no.	Size	K*	K1 ±0.1	K2 ±0.05	L	L1 ±0,1	L2 ±0,1	L3 ±0.05	L4	N*	N1*	N2 ±0.05	S	T1	T2	T3	Piston dia.
91850	50	50	23	10	45	11	32	27	48	30	45	55	19	12	12	12	50
91876	63	50	23	10	52	11	32	27	54	30	45	55	22	12	12	12	63
91892	80	70	36	15	62	15	50	40	76	50	75	65	30	12	15	13	80

\* Tolerance for peg holes ±0.02 mm; for threaded holes ±0.1 mm.

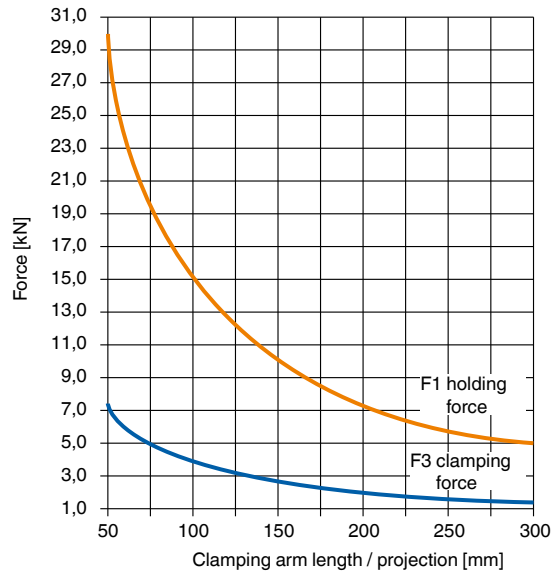
Subject to technical alterations.



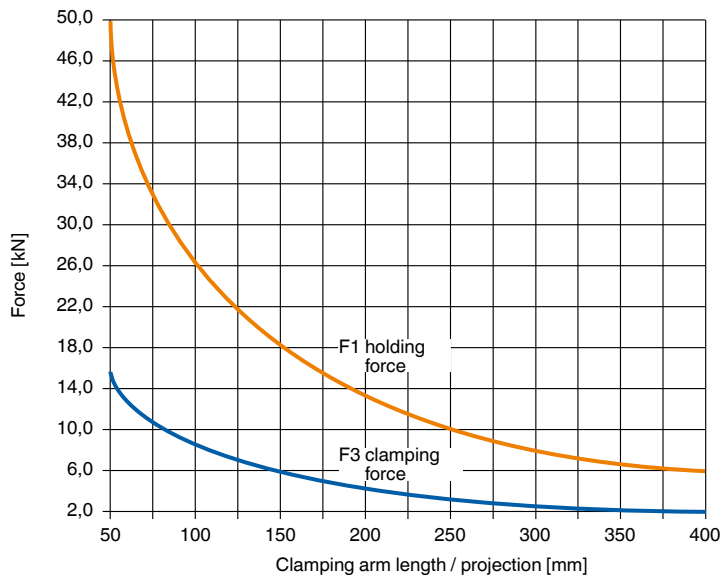
## Force diagrams No. 6828V-50



## No. 6828V-63



## No. 6828V-80



## No. 6828SP

### Clamp arm

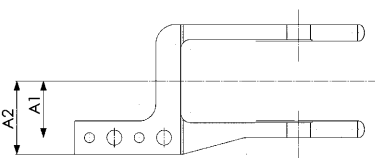
made of steel, for heavy pneumatic toggle clamp no. 6828V, size 50, 63, 80.



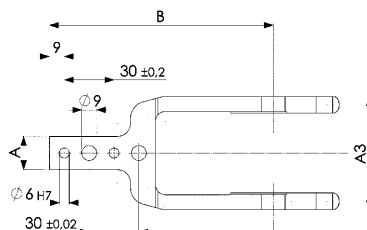
Order no.	Size	Article no.	A -0.1	A1 ±0.1	A2	A3	B	Weight [g]
92072	50	6828SPL-50	20	34,0	44	68	144	855
91959	50	6828SPM-50	20	34,0	44	68	144	855
92056	50	6828SPR-50	20	34,0	44	68	144	855
92130	63	6828SPL-63	20	37,0	47	78	144	1150
92098	63	6828SPM-63	20	37,0	47	78	144	1150
92114	63	6828SPR-63	20	37,0	47	78	144	1150
92395	80	6828SPL-80	25	50,5	63	108	179	1450
92353	80	6828SPM-80	25	50,5	63	108	179	1450
92379	80	6828SPR-80	25	50,5	63	108	179	1450

### Clamp arm variants:

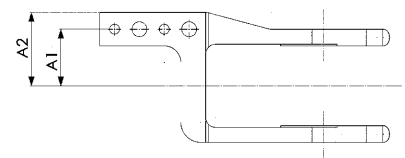
SPL (Clamp arm left)



SPM (Clamp arm in the middle)



SPR (Clamp arm right)



Subject to technical alterations.

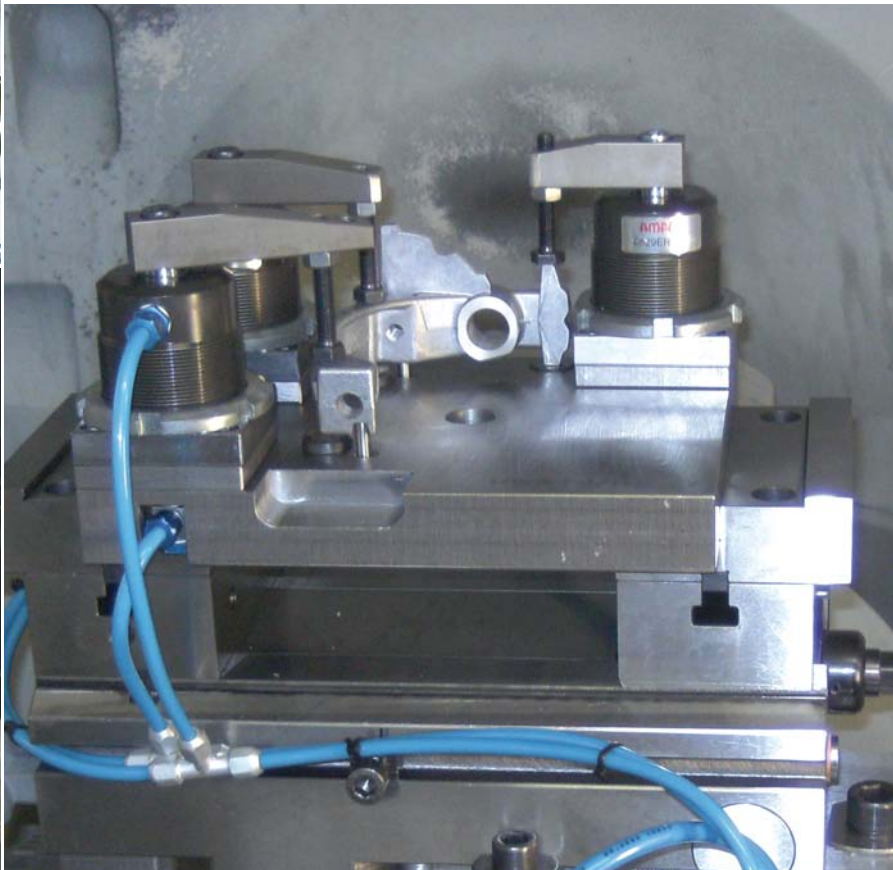
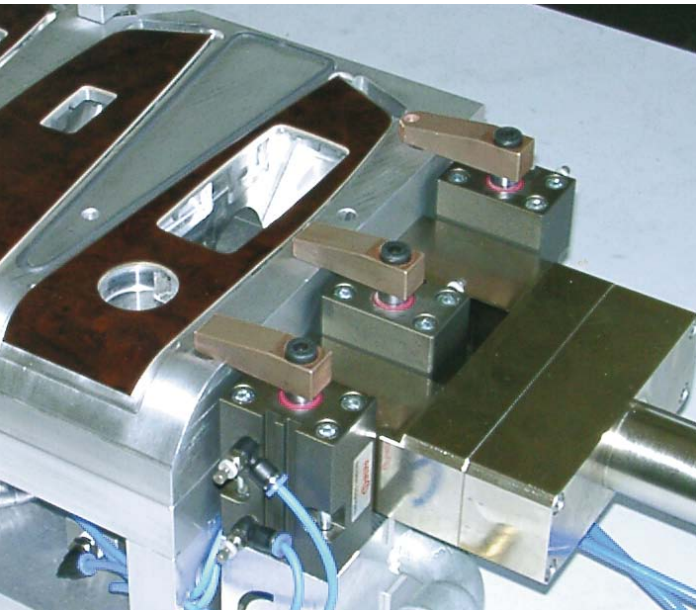
# PNEUMATIC SWING CLAMPS

## > APPLICATIONS

Pneumatic swing clamps are used where low clamping forces are needed (e.g. for welding), and where workpieces must be easily positioned from above.

## > POINTS TO REMEMBER!

The swing action of toggle clamps must not be hindered. They can only clamp on their vertical stroke, not while swinging.



## No. 6829KR/KL

### Swing clamp, pneumatic, flange-mounting version

#### double-acting

For recessed installation in fixtures. Both compressed-air connections are in the flange. Piston rod non-rusting, polished. Body is made of aluminium, anodised. HART-COAT® surface for wear-resistance. Including screw and spring washer for simple setting of the clamp arm position.

#### Mounting:

- from above with cap screws through the flange
- from below in a bore in the fixture using grooved nuts and clamping against the flange
- from above with grooved nuts against the fixture

#### Accessories (not included in pack):

- Clamping arm 6829SP
- Grooved nut 6829N
- Clamping screw 6880



CAD



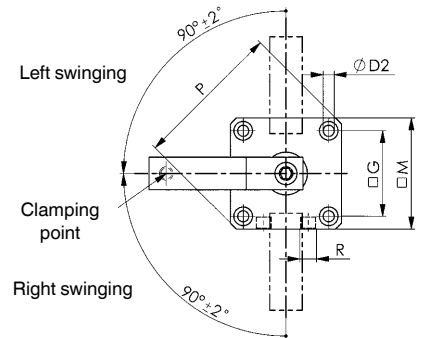
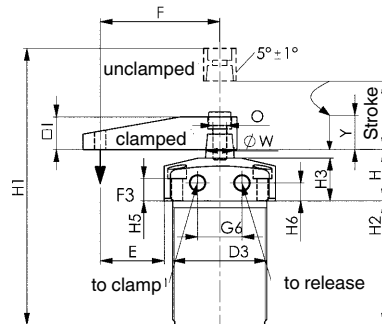
**NEW!**  
**NEW!**  
**NEW!**  
**NEW!**  
**NEW!**  
**NEW!**

Order no.	Size	right swinging	left swinging	F3 [kN]	Connecting thread for clamping screws	Weight [g]
560012	12	●	-	0,03	M4	130
560018	12	-	●	0,03	M4	130
560011	16	●	-	0,06	M4	180
560019	16	-	●	0,06	M4	180
560010	20	●	-	0,08	M6	300
560020	20	-	●	0,08	M6	300
93484	25	●	-	0,17	M6	500
93559	25	-	●	0,17	M6	500
93492	32	●	-	0,27	M8	650
93567	32	-	●	0,27	M8	650
93500	40	●	-	0,45	M8	800
93575	40	-	●	0,45	M8	800
93518	50	●	-	0,70	M12	920
93583	50	-	●	0,70	M12	920
93526	63	●	-	1,10	M12	1080
93591	63	-	●	1,10	M12	1080

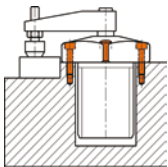
F3 = at 6 bar max. air pressure

#### Note:

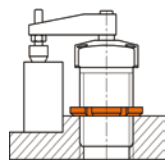
The mounting holes in the flange are the same as in threaded flange no. 6828GF. Operate only with lubricated air.



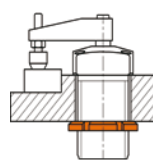
#### Examples of mountings:



with 4 cap screws from above



with grooved nut from above



with grooved nut from below

#### Recommendations



No. 6829SP,  
page 143



No. 6829N,  
page 144



No. 6829GF,  
page 144

#### Dimensions:

Order no.	Size	dia. D2	D3	E	F	G	G6	H	H1	H2	H3	H5	H6	I	M	O	P	R	dia. W	Piston dia.	Y Clamping stroke*	Stroke
560012	12	4,5	M25x1,5	18,7	35	23,0	10	25	105	50	20	11	9,0	12,0	33	M5	43	M5	8	12	8,6	17,6
560018	12	4,5	M25x1,5	18,7	35	23,0	10	25	105	50	20	11	9,0	12,0	33	M5	43	M5	8	12	8,6	17,6
560011	16	4,5	M30x1,5	23,0	41	26,5	12	25	105	50	20	11	9,0	12,0	36	M5	47	M5	8	16	8,5	17,5
560019	16	4,5	M30x1,5	23,0	41	26,5	12	25	105	50	20	11	9,0	12,0	36	M5	47	M5	8	16	8,5	17,5
560010	20	4,5	M35x1,5	27,5	48	30,5	14	26	107	65	20	10	9,0	16,0	41	M8	54	M5	12	20	15,0	27,0
560020	20	4,5	M35x1,5	27,5	48	30,5	14	26	107	65	20	10	9,0	16,0	41	M8	54	M5	12	20	15,0	27,0
93484	25	5,5	M40x1,5	25,0	50	37,0	23	30	135	62	25	15	11,5	16,0	50	M8	66	M5	14	25	13,0	26,0
93559	25	5,5	M40x1,5	25,0	50	37,0	23	30	135	62	25	15	11,5	16,0	50	M8	66	M5	14	25	13,0	26,0
93492	32	6,5	M50x1,5	30,0	60	45,0	23	30	152	73	25	13	10,5	19,0	60	M8	80	G1/8	16	32	14,0	28,0
93567	32	6,5	M50x1,5	30,0	60	45,0	23	30	152	73	25	13	10,5	19,0	60	M8	80	G1/8	16	32	14,0	28,0
93500	40	6,5	M55x1,5	37,5	70	50,0	26	30	152	73	25	13	10,5	19,0	65	M8	87	G1/8	16	40	16,0	30,0
93575	40	6,5	M55x1,5	37,5	70	50,0	26	30	152	73	25	13	10,5	19,0	65	M8	87	G1/8	16	40	16,0	30,0
93518	50	8,5	M65x1,5	42,5	80	58,0	32	30	164	80	25	11	10,5	25,5	75	M10	100	G1/8	20	50	16,0	32,0
93583	50	8,5	M65x1,5	42,5	80	58,0	32	30	164	80	25	11	10,5	25,5	75	M10	100	G1/8	20	50	16,0	32,0
93526	63	8,5	M80x1,5	45,0	90	70,0	35	30	164	80	25	11	10,5	25,5	90	M10	118	G1/8	20	63	14,0	30,0
93591	63	8,5	M80x1,5	45,0	90	70,0	35	30	164	80	25	11	10,5	25,5	90	M10	118	G1/8	20	63	14,0	30,0

\* Swing clamps may only be loaded during the clamping stroke Y.

Subject to technical alterations.

## No. 6829BR/BL

### Swing clamp, pneumatic, block version

#### double-acting

Piston rod non-rusting, polished. Body is made of aluminium, anodised. HART-COAT® surface for wear-resistance. **Magnetic piston to signal end positions.** Including screw and spring washer for simple setting of the clamp arm position.

#### Mounting:

- on front or rear faces, using through holes
- from above with long socket bolts ISO 4762 (DIN 912)
- from below using tapped holes in base

#### Accessories (not included in pack):

- Clamping arm 6829SP
- Clamping screw 6880

Order no.	Size	right swinging	left swinging	F3 [kN]	Connecting thread for clamping screws	Weight [g]
91496	12	●	-	0,03	M 4	200
91397	12	-	●	0,03	M 4	200
91504	16	●	-	0,06	M 4	300
91405	16	-	●	0,06	M 4	300
91512	20	●	-	0,08	M 6	400
91413	20	-	●	0,08	M 6	400
91520	25	●	-	0,17	M 6	600
91421	25	-	●	0,17	M 6	600
91538	32	●	-	0,27	M 8	800
91439	32	-	●	0,27	M 8	800
91546	40	●	-	0,45	M 8	920
91447	40	-	●	0,45	M 8	920
91553	50	●	-	0,70	M12	1000
91454	50	-	●	0,70	M12	1000
91561	63	●	-	1,10	M12	1150
91462	63	-	●	1,10	M12	1150

F3 = at 6 bar max. air pressure

#### Note:

Suitable proximity switches for end-position monitoring are available using order no. 392241.  
Design: PUR cable 0,3 m with M8 plug connection and rotating knurled nuts.  
Switching function: NOC. Output: PNP.  
Operate only with lubricated air.



#### Recommendations



No. 6880,  
page 149

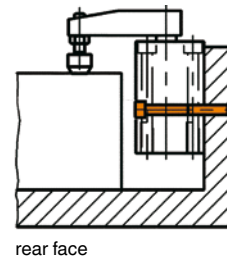
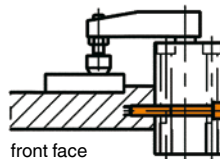
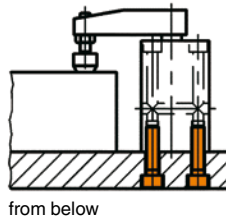
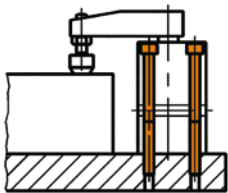


No. 6829SP,  
page 143



No. 6829ER/EL,  
page 142

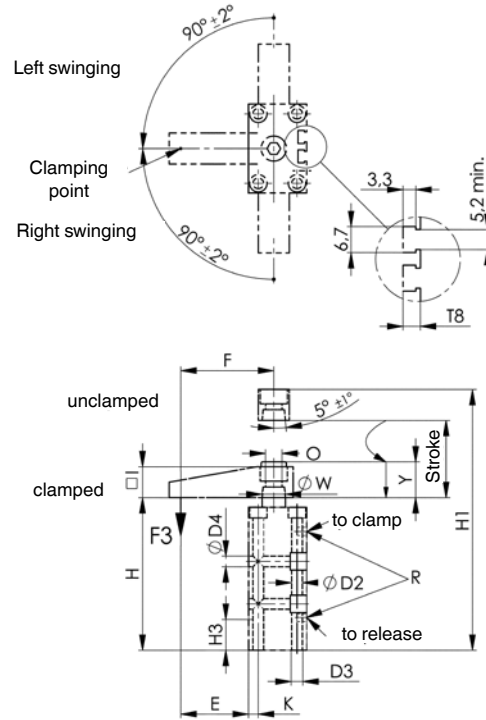
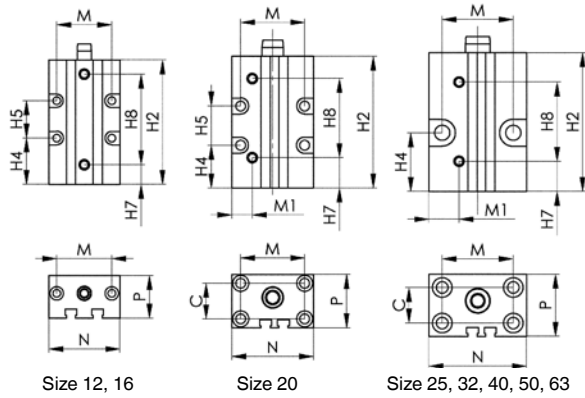
#### Examples of mountings:



CAD



Subject to technical alterations.



## Dimensions:

Order no.	Size	C	dia. D2	D3	dia. D4	E	F	H	H1	H2	H3	H4	H5	H7	H8
91496	12	-	4,3	M 5	4,3	25,0	35	76	105	70	15	26	21	11	51,0
91397	12	-	4,3	M 5	4,3	25,0	35	76	105	70	15	26	21	11	51,0
91504	16	-	4,3	M 5	4,3	30,0	41	76	105	70	15	26	21	11	51,0
91405	16	-	4,3	M 5	4,3	30,0	41	76	105	70	15	26	21	11	51,0
91512	20	20	5,5	M 6	5,5	35,0	48	80	125	74	20	24	22	17	44,5
91413	20	20	5,5	M 6	5,5	35,0	48	80	125	74	20	24	22	17	44,5
91520	25	20	6,5	M 8	8,5	35,0	50	83	125	78	20	32	-	17	44,5
91421	25	20	6,5	M 8	8,5	35,0	50	83	125	78	20	32	-	17	44,5
91538	32	30	6,5	M 8	8,5	40,0	60	96	145	90	20	43	-	22	50,0
91439	32	30	6,5	M 8	8,5	40,0	60	96	145	90	20	43	-	22	50,0
91546	40	37	8,5	M10	8,5	45,5	70	96	145	90	25	40	-	20	52,0
91447	40	37	8,5	M10	8,5	45,5	70	96	145	90	25	40	-	20	52,0
91553	50	46	8,5	M10	10,5	49,0	80	106	162	100	30	45	-	25	53,5
91454	50	46	8,5	M10	10,5	49,0	80	106	162	100	30	45	-	25	53,5
91561	63	60	10,5	M12	10,5	52,5	90	106	162	100	30	36	-	28	53,0
91462	63	60	10,5	M12	10,5	52,5	90	106	162	100	30	36	-	28	53,0

Order no.	Size	I	K	M	M1	N	O	P	R	T8	dia. W	Piston dia.	Y Clamping stroke*	Stroke
91496	12	12	10,0	31	20,0	40	M 5	24	M 5	5,0	8	12	8,5	17,5
91397	12	12	10,0	31	20,0	40	M 5	24	M 5	5,0	8	12	8,5	17,5
91504	16	12	13,0	31	21,0	42	M 5	28	M 5	4,5	8	16	8,5	17,5
91405	16	12	13,0	31	21,0	42	M 5	28	M 5	4,5	8	16	8,5	17,5
91512	20	16	5,0	36	11,5	46	M 8	30	M 5	4,5	12	20	14,0	27,0
91413	20	16	5,0	36	11,5	46	M 8	30	M 5	4,5	12	20	14,0	27,0
91520	25	16	7,5	40	17,0	55	M 8	35	M 5	5,0	14	25	14,0	27,0
91421	25	16	7,5	40	17,0	55	M 8	35	M 5	5,0	14	25	14,0	27,0
91538	32	19	7,5	45	18,0	60	M 8	45	G1/8	6,5	16	32	15,5	30,0
91439	32	19	7,5	45	18,0	60	M 8	45	G1/8	6,5	16	32	15,5	30,0
91546	40	19	9,0	52	22,0	70	M 8	55	G1/8	8,0	16	40	15,5	30,0
91447	40	19	9,0	52	22,0	70	M 8	55	G1/8	8,0	16	40	15,5	30,0
91553	50	25	9,5	66	25,0	85	M10	65	G1/8	6,5	20	50	15,0	31,0
91454	50	25	9,5	66	25,0	85	M10	65	G1/8	6,5	20	50	15,0	31,0
91561	63	25	10,0	80	30,0	100	M10	80	G1/8	8,5	20	63	15,0	31,0
91462	63	25	10,0	80	30,0	100	M10	80	G1/8	8,5	20	63	15,0	31,0

\* Swing clamps may only be loaded during the clamping stroke Y.

## No. 6829ER/EL

### Swing clamp, pneumatic, screw-in version

#### double-acting

Piston rod non-rusting, polished. Body is made of aluminium, anodised. HART-COAT® surface for wear-resistance. Including screw and spring washer for simple setting of the clamp arm position.

#### Mounting:

- with grooved nut 6829N (DIN 70852)
- with threaded flange 6829GF

#### Accessories (not included in pack):

- Clamping arm 6829SP
- Grooved nut 6829N
- Thread flange 6829GF
- Clamping screw 6880



#### Recommendations



No. 6829SP, page 143



No. 6829N, page 144



No. 6829GF, page 144

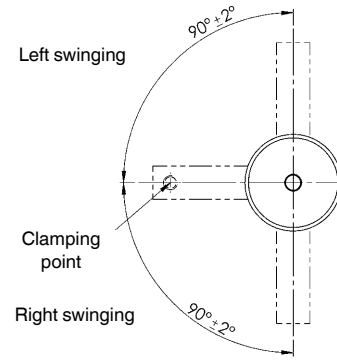
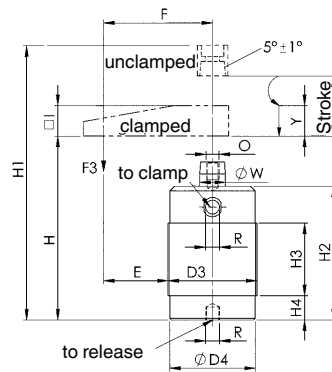
NEW!  
NEW!  
NEW!  
NEW!  
NEW!

Order no.	Size	right swinging	left swinging	F3 [kN]	Connecting thread for clamping screws	Weight [g]
560062	12	●	-	0,03	M4	100
560027	12	-	●	0,03	M4	100
560063	16	●	-	0,06	M4	150
560028	16	-	●	0,06	M4	150
560064	20	●	-	0,08	M6	270
560029	20	-	●	0,08	M6	270
92809	25	●	-	0,17	M 6	450
92858	25	-	●	0,17	M 6	450
92817	32	●	-	0,27	M 8	550
92866	32	-	●	0,27	M 8	550
92825	40	●	-	0,45	M 8	700
92874	40	-	●	0,45	M 8	700
92833	50	●	-	0,70	M12	850
92882	50	-	●	0,70	M12	850
92841	63	●	-	1,10	M12	1000
92890	63	-	●	1,10	M12	1000

F3 = at 6 bar max. air pressure

#### Note:

Operate only with lubricated air.



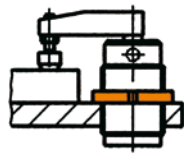
Order no.	Size	D3	dia. D4	E	F	H	H1	H2	H3	H4	I	O	R	dia. W	Piston dia.	Y Clamping stroke*	Stroke
560062	12	M25x1,5	23	22,5	35	75	105	70	48	2	12,0	M5	M5	8	12	8,6	17,6
560027	12	M25x1,5	23	22,5	35	75	105	70	48	2	12,0	M5	M5	8	12	8,6	17,6
560063	16	M30x1,5	28	26,0	41	75	105	70	48	2	12,0	M5	M5	8	16	8,5	17,5
560028	16	M30x1,5	28	26,0	41	75	105	70	48	2	12,0	M5	M5	8	16	8,5	17,5
560064	20	M35x1,5	33	30,5	48	91	134	85	64	2	16,0	M8	M5	12	20	15,0	27,0
560029	20	M35x1,5	33	30,5	48	91	134	85	64	2	16,0	M8	M5	12	20	15,0	27,0
92809	25	M40x1,5	38	30,0	50	73	118	70	35	10	16,0	M 8	M 5	14	25	13,0	26,0
92858	25	M40x1,5	38	30,0	50	73	118	70	35	10	16,0	M 8	M 5	14	25	13,0	26,0
92817	32	M50x1,5	48	35,0	60	83	132	79	40	15	19,0	M 8	G1/8	16	32	15,5	29,5
92866	32	M50x1,5	48	35,0	60	83	132	79	40	15	19,0	M 8	G1/8	16	32	15,5	29,5
92825	40	M55x1,5	53	42,5	70	87	136	83	45	15	19,0	M 8	G1/8	16	40	16,5	30,5
92874	40	M55x1,5	53	42,5	70	87	136	83	45	15	19,0	M 8	G1/8	16	40	16,5	30,5
92833	50	M65x1,5	62	47,5	80	92	148	87	50	15	25,5	M10	G1/8	20	50	14,0	30,0
92882	50	M65x1,5	62	47,5	80	92	148	87	50	15	25,5	M10	G1/8	20	50	14,0	30,0
92841	63	M80x1,5	77	50,0	90	98	153	92	56	15	25,5	M10	G1/8	20	63	13,5	29,5
92890	63	M80x1,5	77	50,0	90	98	153	92	56	15	25,5	M10	G1/8	20	63	13,5	29,5

\* Swing clamps may only be loaded during the clamping stroke Y.

#### Examples of mountings:



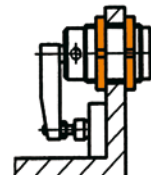
with grooved nut from below



with grooved nut from above



with threaded flange and grooved nut



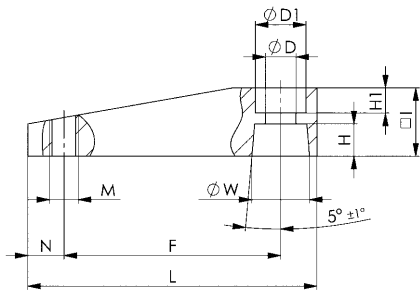
with two grooved nuts

Subject to technical alterations.

## No. 6829SP

### Clamping arm

High-strength aluminium alloy. HART-COAT® surface for wear-resistance and reduced adhesion of weld spatter. With thread for clamping screw No. 6880.



Order no.	Size	dia. D	dia. D1	F	H	H1	I	L	M	N	dia. W	Weight [g]
92486	12	5,5	9	35	5,0	5,0	12	45	M4	4	8	13
92494	16	5,5	9	41	5,0	4,0	12	51	M4	4	8	15
92502	20	8,5	14	48	5,5	7,5	16	64	M6	6	12	31
93674	25	8,5	14	50	6,5	6,0	16	66	M6	6	14	32
93682	32	8,5	14	60	9,0	7,0	19	80	M8	10	16	55
93690	40	8,5	14	70	9,0	7,0	19	90	M8	10	16	65
93708	50	10,5	17	80	10,0	9,0	25	105	M12	10	20	132
93716	63	10,5	17	90	10,0	9,0	25	115	M12	10	20	149

### Note:

Fitting clamping arm:

- 1) Set up clamping arm with spring washer and screw without play.
- 2) Turn clamping arm into position.
- 3) Hold clamping arm fixed with wrench and tighten screw.

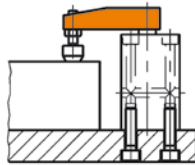
Clamping arm removal:

- 1) Hold clamping arm fixed with wrench and loosen screw.
  - 2) With light blows from below (plastic hammer), separate clamping arm from the piston rod.
- Caution! No side blows permitted!



### Application example:

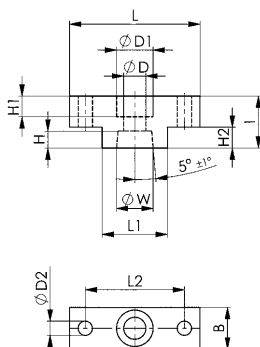
Clamping arm with clamping screw no. 6880.



## No. 6829AD

### Adapter

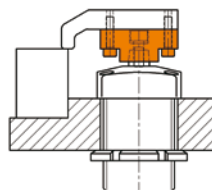
for mounting special clamping arms, with taper bore and mounting holes for arm. High-strength aluminium alloy. HART-COAT® surface for wear-resistance and reduced adhesion of weld spatter.



Order no.	Size	B	dia. D	dia. D1	dia. D2	H	H1	H2	I	L	L1	L2	dia. W	Weight [g]
92403	12/16	12	5,5	10	4,5	5,0	7,0	6	14	30	13	22	8	8
92411	20	16	8,5	14	5,5	5,5	10,5	8	20	40	18	30	12	20
92429	25	16	8,5	14	5,5	6,5	8,0	8	20	50	25	38	14	28
92437	32/40	19	8,5	14	7,0	9,0	11,0	10	25	60	30	45	16	50
92452	50/63	25	10,5	17	9,0	10,0	14,0	12	30	65	30	48	20	80

### Application example:

Adapter in use as a connecting element between an individual clamping arm and the piston rod of a pneumatic swing clamp no. 6829.



## No. 6829N

### Grooved nut (DIN 70852)

Steel, galvanized.  
Use hook spanner for tightening (see AMF catalogue „Hand Tools“).

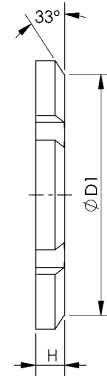
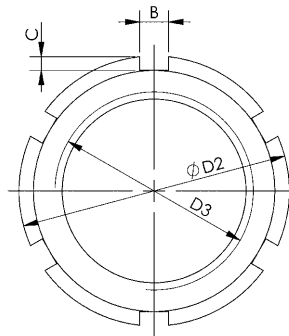
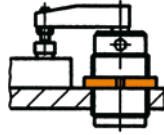
**NEW!**  
**NEW!**  
**NEW!**

Order no.	Size	B	C	dia. D1	dia. D2	D3	H	Weight [g]
560083	12 *	5,0	2,0	32	38	M25x1,5	7	32
560084	16	6,5	2,8	38	44	M30x1,5	7	36
560085	20	7,0	3,3	43	50	M35x1,5	8	51
92924	25	7,0	3,3	49	56	M40x1,5	8	63
92932	32	8,0	3,8	60	68	M50x1,5	8	84
92940	40	8,0	3,8	67	75	M55x1,5	8	106
92957	50	11,0	4,3	76	85	M65x1,5	9	132
92973	63	11,0	4,3	91	100	M80x1,5	10	180

\* according to DIN 981

### Application example:

Grooved nut from above for locking swing clamp in a fixture.



## No. 6829GF

### Threaded flange

Aluminium.  
With four counterbored mounting holes. Female screw-in thread for swing clamp. Use grooved nut to lock in desired.

**NEW!**  
**NEW!**  
**NEW!**

Order no.	Size	C	dia. D1	dia. D2	D3	H	H1	L	Weight [g]
560065	12	24	8	4,5	M25x1,5	8	5	35	15
560066	16	29	8	4,5	M30x1,5	8	5	40	18
560067	20	32	9	5,5	M35x1,5	9	6	45	25
93062	25	37	9	5,5	M40x1,5	9	6	50	30
93070	32	45	11	6,5	M50x1,5	12	7	60	50
93088	40	50	11	6,5	M55x1,5	12	7	65	55
93096	50	58	13	8,5	M65x1,5	15	9	75	85
93104	63	70	13	8,5	M80x1,5	15	9	88	102

### Advantage:

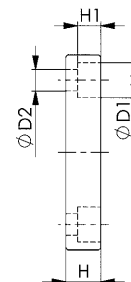
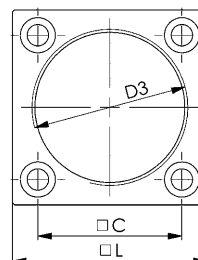
Avoids cutting a large thread in the fixture.

### Note:

The mounting holes in the flange are the same as in pneumatic clamp flange no. 6829K and 6829V.

### Application example:

Swing clamp screwed into threaded flange.



Subject to technical alterations.



## No. 6829W

### Swing Clamp with welding protection, pneumatic

#### double acting

Piston rod non-rusting, polished and protected against weld spatter. Body, welding protection and clamping arm made of aluminium. HART-COAT® surface for wear-resistance. **Magnetic piston for end-position monitoring.**  
**Clamp arm not included.**

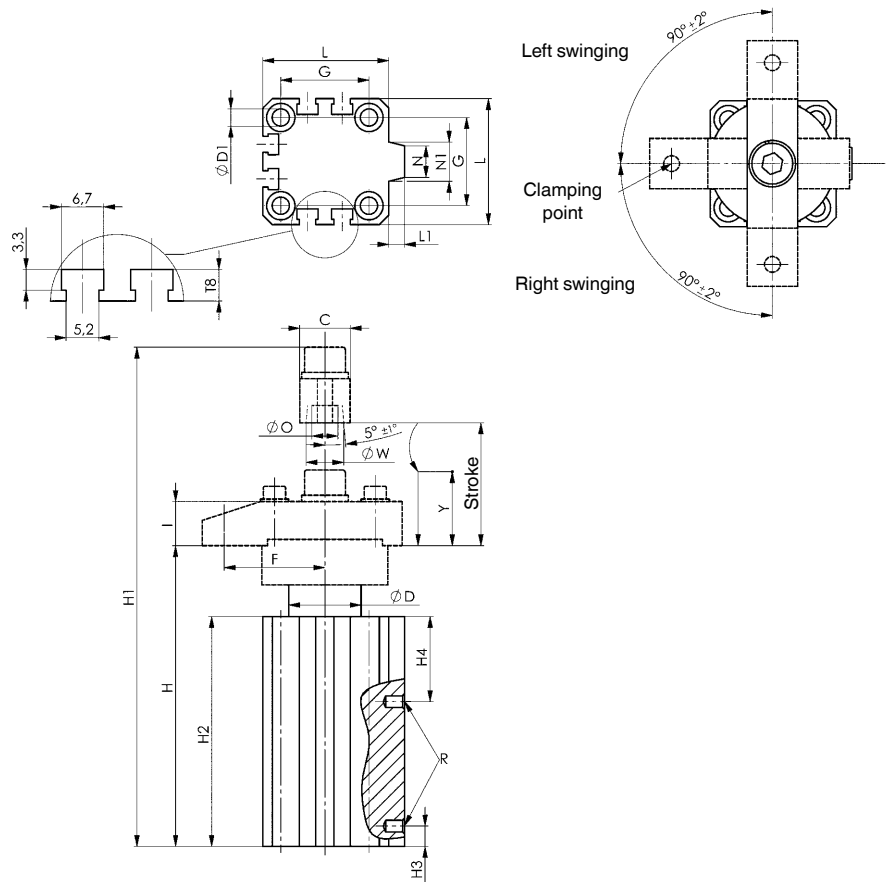
Accessories (not included in pack):

- Welding protection no. 6829WS
- Clamping arm no. 6829WSP

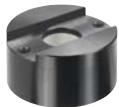
Order no.	Size	right swinging	left swinging	F3 [kN]	Weight [g]
91579	25	●	-	0,2	326
92361	25	-	●	0,2	326
91595	32	●	-	0,3	537
92387	32	-	●	0,3	537
91611	40	●	-	0,6	680
92445	40	-	●	0,6	680
91637	50	●	-	0,9	1160
92460	50	-	●	0,9	1160
91652	63	●	-	1,4	1520
92478	63	-	●	1,4	1520

#### Note:

Suitable proximity switches for end-position monitoring are available using order no. 392241. Design: PUR cable 0.3 m with M8 plug connection and rotating knurled nuts. Switching function: NOC. Output: PNP. Operate only with lubricated air.



#### Recommendations



No. 6829WS, page 146



No. 6829WSP, page 146

#### Dimensions:

Order no.	Size	C	dia. D	dia. D1	F	G	H	H1	H2	H3	H4	I	L	L1	N	N1	dia. O	R	T8	dia. W	Piston dia.	Y Clamping stroke*	Stroke
91579	25	16	23	5,5	32,0	29	95,5	139,0	73,0	6,5	27,0	14	40	5,0	10,0	12,5	8,3	M5	5,0	12	25	10	19,5
92361	25	16	23	5,5	32,0	29	95,5	139,0	73,0	6,5	27,0	14	40	5,0	10,0	12,5	8,3	M5	5,0	12	25	10	19,5
91595	32	22	30	5,5	45,0	34	113,0	168,0	80,0	9,0	34,5	18	45	4,5	14,5	16,5	10,5	G1/8	6,5	16	32	10	25,0
92387	32	22	30	5,5	45,0	34	113,0	168,0	80,0	9,0	34,5	18	45	4,5	14,5	16,5	10,5	G1/8	6,5	16	32	10	25,0
91611	40	22	30	5,5	45,0	40	114,0	173,0	80,0	9,0	34,5	22	52	5,0	17,5	22,0	10,5	G1/8	8,0	16	40	10	25,0
92445	40	22	30	5,5	45,0	40	114,0	173,0	80,0	9,0	34,5	22	52	5,0	17,5	22,0	10,5	G1/8	8,0	16	40	10	25,0
91637	50	25	37	6,6	65,0	50	149,4	227,9	101,5	11,0	39,0	25	64	6,0	20,0	23,0	12,5	G1/4	6,5	20	50	20	39,0
92460	50	25	37	6,6	65,0	50	149,4	227,9	101,5	11,0	39,0	25	64	6,0	20,0	23,0	12,5	G1/4	6,5	20	50	20	39,0
91652	63	25	47	6,6	72,5	60	152,9	231,4	104,0	9,0	35,0	25	77	7,0	28,0	33,0	12,5	G1/4	8,5	20	63	20	39,0
92478	63	25	47	6,6	72,5	60	152,9	231,4	104,0	9,0	35,0	25	77	7,0	28,0	33,0	12,5	G1/4	8,5	20	63	20	39,0

\* Swing clamps may only be loaded during the clamping stroke Y.



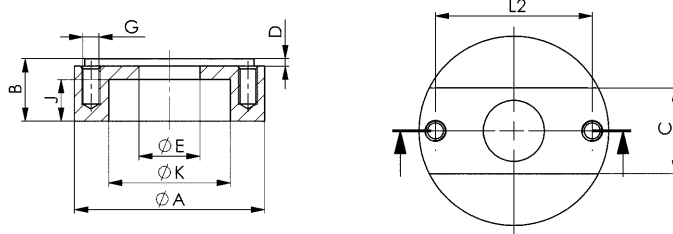
## No. 6829WS

### Welding protection

for piston rod  
for swing clamp with welding protection no. 6829W for protection of the piston rod against weld spatter. High-strength aluminium alloy, anodised.



Order no.	Size	dia. A	B	C	D	dia. E	G	J	dia. K	L2	Weight [g]
91645	25	40	14,5	16,4	2,0	12,1	M4	10,5	25	32,0	32
91660	32	50	16,5	22,6	3,0	16,1	M5	11,0	32	41,3	55
91686	40	50	17,9	22,6	3,8	16,1	M6	11,0	32	41,4	58
91702	50	59	33,0	25,8	5,1	20,1	M6	25,0	39	46,5	122
91793	63	69	33,0	25,8	5,1	20,1	M6	25,0	50	59,5	160



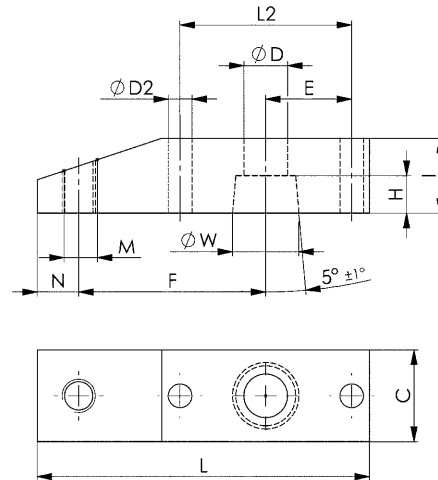
## No. 6829WSP

### Clamp arm

for swing clamp with welding protection no. 6829W.  
High-strength aluminium alloy, black. HART-COAT® surface for wear-resistance and reduced adhesion of weld spatter. Ready for mounting, with connection thread for clamping screw no. 6880.



Order no.	Size	C	dia. D	dia. D2	E	F	H	I	L	M	L2	N	dia. W	Weight [g]
91678	25	16	8,3	4,8	16,00	32,0	5,5	14	63,5	M6	32,0	7	12	36
91694	32	22	10,5	5,7	20,70	45,0	9,0	18	80,0	M8	41,3	10	16	83
91751	40	22	10,5	6,4	20,70	45,0	9,0	22	82,0	M8	41,4	10	16	84
91603	50	25	12,5	6,4	23,25	65,0	12,0	25	105,0	M10	46,5	10	20	144
91629	63	25	12,5	6,4	29,75	72,5	12,0	25	120,0	M10	59,5	10	20	168



## No. 6897S

### Sensor monitor

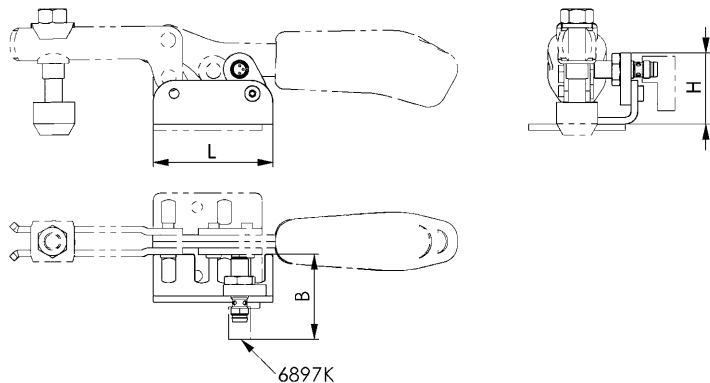
for manual clamps.  
For monitoring the closed position of the toggle clamp. Complete with inductive sensor M8x1 for ambient temperatures from 0° to 60° C. Matching plug connection no. 6897K.



Order no.	Size	L x W x H	Weight [g]
90597	3	55 x 40 x 35	60

### Note:

Sensor monitor size 3 can be used on both sides for horizontal toggle clamp no. 6830-3, 6834-3 and 6830B-3, only on one side for horizontal toggle clamp with safety latch no. 6830S-3.



Subject to technical alterations.

## No. 6897K

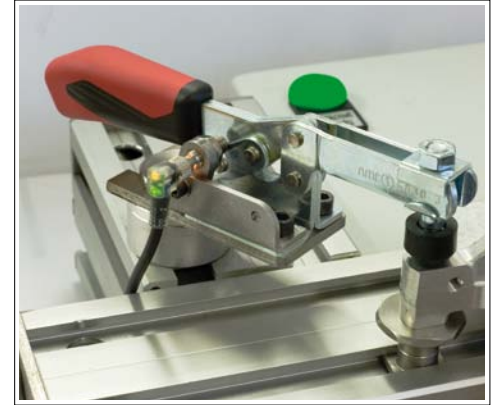
### Plug connection for sensor monitor

for sensor monitor no. 6897S.  
Angled plug connection, cable permanently injection-moulded on.

Order no.	Size	Cable length		Weight [g]
			[m]	
90613	1		2	75
90639	2		5	150

#### Note:

IP68 acc. to IEC 529, silicone-free, halogen-free, gold-plated contacts.



## No. 6898V

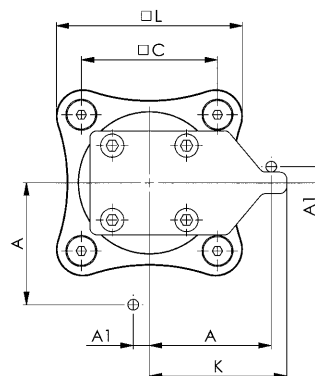
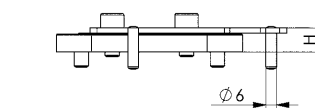
### Rotatable base unit

incl. stop pin for limiting the opening position of 90°

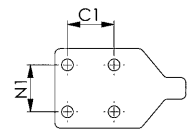
Order no.	Size	Weight	
			[g]
555182	1		430
555183	2		915
555184	3		430
555185	4		922

#### Note:

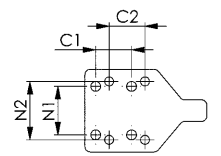
Order no. 555182 for toggle clamp 6830 Size 2 and 3  
Order no. 555183 for toggle clamp 6830 Size 4 and 5  
Order no. 555184 for toggle clamp 6800 Size 2 and 3  
Order no. 555185 for toggle clamp 6800 Size 4 and 5



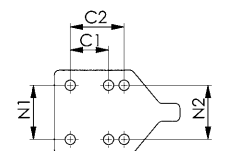
Size 1, 2



Size 3



Size 4



#### Dimensions:

Order no.	Size	A	A1	C	C1	C2	H	K	L	N1	N2
555182	1	41	9,0	54	26,0	-	11,4	47,0	76	26,0	-
555183	2	68	9,0	76	41,5	-	13,4	77,0	104	41,5	-
555184	3	41	9,0	54	20,0	20	11,4	45,0	76	27,0	32,5
555185	4	59	10,5	76	32,0	45	13,4	69,2	104	45,0	45,0

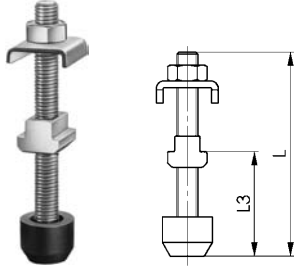
Subject to technical alterations.



## No. 6890

### Clamping screw

for open clamping arms,  
tempered, tensile strength class 8.8, galvanized and passivated,  
with removable rubber nose. Sizes 0-3 with washer/nut-element.  
Sizes 4-7 with nut.

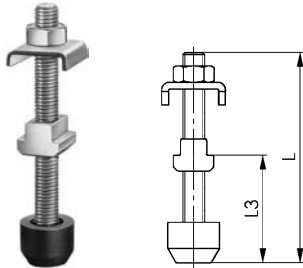


Order no.	Size	Screw DIN 933	T-Nut DIN 508	Washer size	L	L3	Weight [g]
99002	0	M 4x 25	-	0	32	13-20	5
99010	1	M 5x 30	-	1	38	17-24	10
99028	2	M 6x 35	-	2	45	19-28	22
99077	2	M 6x 50	-	2	60	19-43	30
99036	3	M 8x 45	-	3	58	22-34	40
99044	4	M 8x 65	M 8x10	4	78	21-50	62
99051	5	M 8x 65	M 8x10	5	78	21-45	62
99085	6	M12x 80	M12x14	6	97	28-58	160
99069	7	M12x110	M12x14	6	127	28-88	180

## No. 6890NI

### Clamping screw

for open clamping arms,  
stainless steel. Size 4 with 2 washers.

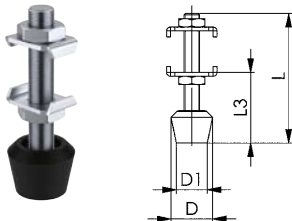


Order no.	Size	Screw DIN 933	Washer size	L	L3	Weight [g]
96040	0	M4x25	0	32	13-20	5
96057	1	M5x30	1	38	17-24	10
96065	2	M6x35	2	45	19-28	22
96073	3	M8x45	3	58	22-34	40
96081	4	M8x65	4	78	21-50	60

## No. 68301

### Clamping screw

For horizontal acting toggle clamp plus.  
complete with U-washers, hex nuts and screw with bonded  
pressure pad, made of oil-resistant neoprene to prevent damage to  
delicate workpieces. Hardness 85 Shore A, LABS-free  
(silicone-free). Strength class 8.8.

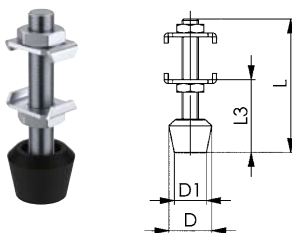


Order no.	Size	M x L	D	D1	L3	Weight [g]
552698	1	M5 x 35	11	10	9 - 18	15
551718	2	M6 x 50	16	12	17 - 29	20
551719	3	M8 x 58	21	16	21 - 34	36
551720	4	M10 x 76	26	20	28 - 44	95

## No. 68301NI

### Clamping screw

for horizontal toggle clamp plus,  
stainless steel.



**NEW!**

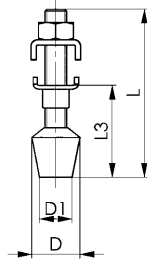
**NEW!**

Order no.	Size	M x L	D	D1	L3	Weight [g]
560014	1	M5 x 35	11	10	10 - 22	15
555177	2	M6 x 50	16	12	17 - 29	20
558996	3	M8 x 58	21	16	22 - 31	45
555178	4	M10 x 76	26	20	28 - 44	95

## No. 6890B

### Clamping screw, black

for open clamping arms,  
matte-black galvanized, complete with washer, nut element,  
washer, hex nut and screw with bonded pressure pad, made of  
oil-resistant neoprene to prevent damage to delicate workpieces.  
Hardness 85 Shore A, LABS-free (silicone-free).  
Strength class 8.8.

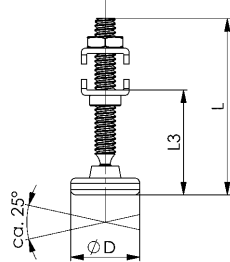


Order no.	Size	M x L	D	D1	L3	Weight [g]
99614	0	M4x34,5	10	-	11,5-22	6
99671	1	M5x38,0	13	10	17,0-24	11
99630	2	M6x46,0	16	10	20,0-27	17
92635	2	M6x60,0	16	10	20,0-40	22
92916	2	M6x110,0	16	10	20,0-90	60
99655	3	M8x63,0	18	13	27,0-37	39

## No. 6875

### Clamping screw

for open clamping arms,  
galvanized. For auto-adjust toggle clamps.

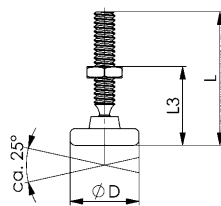


Order no.	Size	M x L	D	L3	Weight [g]
557079	1	M6 x 50	19	17 - 35	23
557080	2	M8 x 50	27	21 - 31	51
557081	3	M8 x 65	27	21 - 42	55

## No. 6876

### Clamping screw

for push-pull type toggle clamps,  
galvanized. For auto-adjust toggle clamps.

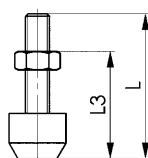


Order no.	Size	M x L	D	L3	Weight [g]
557086	1	M6 x 37	19	13 - 25	16
557087	2	M8 x 50	19	16 - 35	41

## No. 6880

### Clamping screw

for push-pull type clamps,  
tempered, tensile strength class 8.8, galvanized and passivated,  
with nut and removable rubber nose.

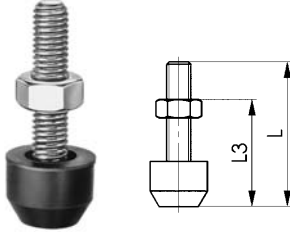


Order no.	Size	Screw DIN 933	L	L3	Weight [g]
98012	0+1	M 4x20	27	12-20	4
98038	2	M 6x25	35	17-25	15
98046	3	M 8x35	48	22-35	26
98053	5	M10x50	66	30-52	57
98061	7	M12x50	68	30-50	82
98475	8	M16x80	90	25-70	220

## No. 6880NI

### Clamping screw

for push-pull type clamps,  
stainless steel



Order no.	Size	Screw DIN 933	L	L3	Weight [g]
96008	0+1	M 4x20	27	12-20	4
96016	2	M 6x25	35	18-27	15
96024	3	M 8x35	48	22-35	26
96032	7	M12x50	68	30-50	82

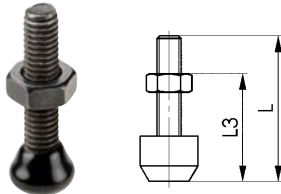
CAD



## No. 6880B

### Clamping screw, black

for push-pull type clamps,  
matte-black, with nut and bonded pressure pad,  
strength class 8.8.



Order no.	Size	Screw DIN 933	L	L3	Weight [g]
99622	1	M4 x 20	23	10-17	4
99705	2	M6 x 25	35	17-25	15
492058	3	M8 x 44	44	26 - 33	26

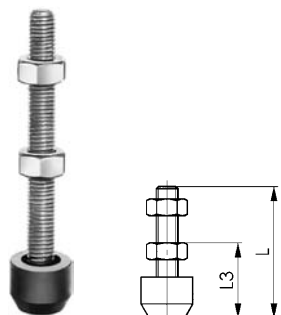
CAD



## No. 6885

### Clamping screw

for solid and fixed clamping arms,  
tempered, tensile strength class 8.8, galvanized and passivated,  
with 2 nuts and removable rubber nose.



Order no.	Size	Screw DIN 933	L	L3	Weight [g]
98517	1	M 5x 30	38	14-25	10
98525	2	M 6x 35	45	17-25	20
98533	3	M 8x 45	58	22-32	35
98541	4	M 8x 65	78	22-52	40
98558	5	M12x 80	98	30-60	130
98566	6	M12x110	128	30-88	160
98582	8	M16x120	130	25-84	280

CAD

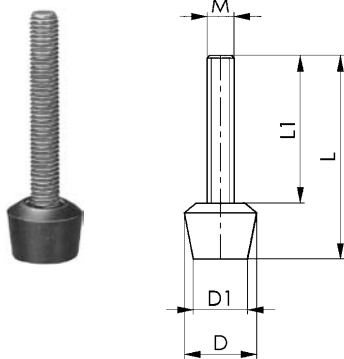


Subject to technical alterations.

## No. 6894

### Clamping screw

with a bonded pressure pad, made of oil resistant neoprene to prevent damage to delicate workpieces. Hardness 85 Shore A, LABS-free (silicone-free). Screw tempered, galvanized and passivated, strength class 8.8.



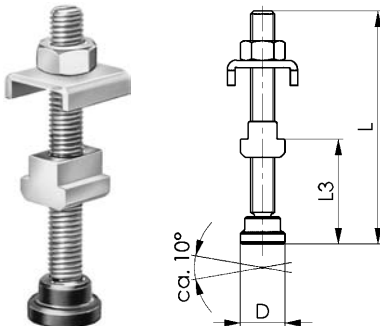
Order no.	M x L	D	D1	L1	Weight [g]
99408	M 4x 32	11	8	24	4
99416	M 5x 38	13	10	28	8
99390	M 6x 35	16	12	23	11
99424	M 6x 45	16	12	33	13
99556	M 6x 60	16	12	48	16
99432	M 8x 48	21	16	32	25
99499	M 8x 58	21	16	42	29
99440	M 8x 63	21	16	47	31
99457	M 8x 78	21	16	62	37
99580	M10x 66	26	20	46	53
99598	M10x 76	26	20	56	59
99606	M10x116	26	20	96	84
99465	M12x 70	31	24	46	78
99473	M12x100	31	24	76	105
99481	M12x130	31	24	106	131



## No. 6891

### Self-aligning clamping screw

for open clamping arms, tempered, galvanized and passivated. Sizes 1-3 with washer/nut-element. Sizes 4-6 with T-nut.



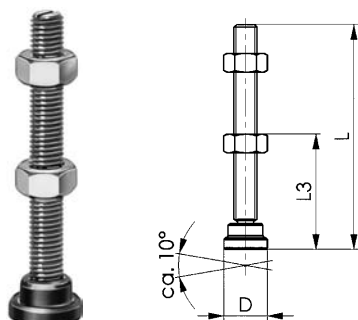
Order no.	Size	Screw DIN 6332	T-Nut DIN 508	Washer size	D	L	L3	Weight [g]
99119	1	M 5x 35	-	1	12	37	12-22	12
99127	2	M 6x 50	-	2	12	52	14-33	20
99135	3	M 8x 75	-	3	16	78	18-52	47
99143	4	M 8x 75	M 8x10	4	16	78	15-50	62
99168	6	M12x100	M12x14	6	25	105	25-62	183



## No. 6886

### Self-aligning clamping screw

for solid and closed clamping arms, tempered, galvanized and passivated.



Order no.	Size	Screw DIN 6332	D	L	L3	Weight [g]
98616	1	M 5x 35	12	37	8-23	9
98632	4	M 8x 75	16	78	16-52	42
98665	6	M12x100	25	105	30-61	138



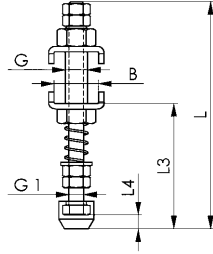
## No. 6892

### Spring loaded screw

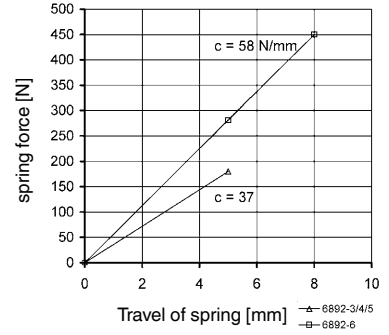
for open ended clamping arms, tempered, galvanized and passivated.



Order no.	Size	B	G	G1	Rubber nose	L	L3	L4	Weight [g]
99259	3	14,5	M 8	M5	6893-M5	90	39-52	5	55
99267	4	18,5	M 8	M5	6893-M5	90	40-53	5	63
99275	5	20,5	M 8	M5	6893-M5	90	40-48	5	64
99283	6	24,0	M12	M8	6893-M8	123	60-68	7	182



### Spring rate:



CAD



## No. 6893

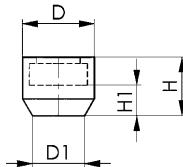
### Rubber nose

Made of oil resistant neoprene to prevent damage to delicate components. Hardness 70 Shore A. Fits the clamping screws no. 6880, no. 6885, no. 6890 and no. 6892, for placement on hexagon screw head ISO 272. Minimum order quantity is 10 pieces per size.

Order no.	Size	SW	D	D1	H	H1	Weight [g]
99309	M 4	7	11,0	7	8,5	4,2	1
99325	M 5	8	12,5	8	10,0	5,0	1
99333	M 6	10	15,0	10	12,0	6,0	2
99341	M 8	13	19,0	13	15,0	7,5	4
99358	M10	16	22,0	15	17,5	8,5	5
99374	M12-SW18	18*	25,0	18	20,0	9,5	8
99366	M12-SW19	19**	26,0	19	20,0	9,5	9
99382	M16	24	33,0	24	27,0	14,0	19

\* According to new standard ISO 4017 (marked with a „6“ on its clamping face).

\*\* According to old norm DIN 933.



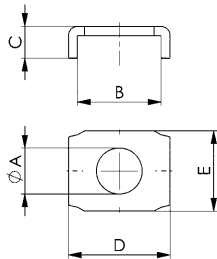
CAD



## No. 6887

### U-washer

galvanised and passivated.



Order no.	Size	dia. A	B	C	D	E	Weight [g]
557062	0	4,2	8,1	3,0	10,6	9	1
557074	1+2	6,3	11,5	4,4	14,0	11	2
557075	3	8,5	14,6	7,2	18,6	20	7

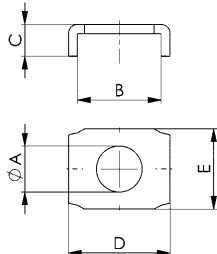
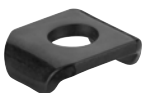
CAD



## No. 6887B

### U-washer

matte-black.



Order no.	Size	dia. A	B	C	D	E	Weight [g]
557076	1+2	6,3	11,5	4,4	14,0	11	2
557077	3	8,5	14,6	7,2	18,6	20	7

Subject to technical alterations.



## No. 6899

### Clamping arm extension

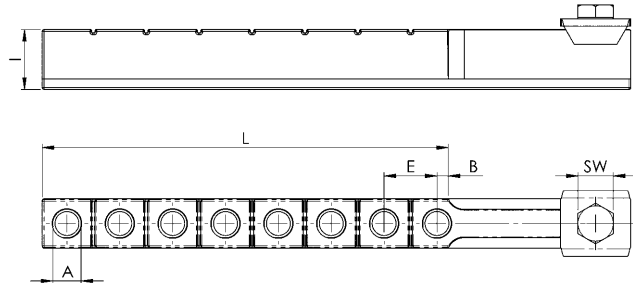
for manual clamps,  
Aluminium. Complete with fastening bolt. Without clamping screw.



Order no.	Size	A	B	E	I	L	SW	Weight [g]
557094	1	5 x M5	6	12	11	61	7	24
557095	2	6 x M6	8	15	14	90	8	47
557096	3	8 x M8	3	15	17	115	10	92

#### Note:

Can be shortened to desired length.



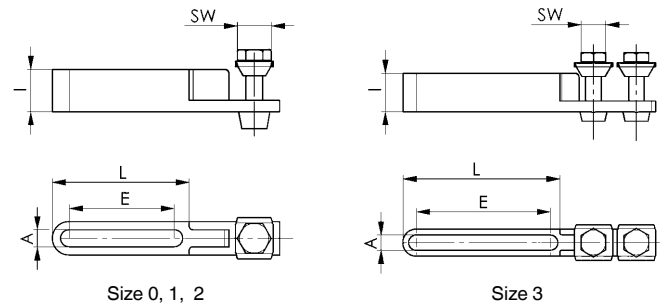
## No. 6896

### Clamping arm extension

for manual clamps,  
steel, blued. Complete with fastening screw. Without clamping screw.



Order no.	Size	Clamping screw	A	E	I	L	SW	Weight [g]
94045	0	M4	4,2	25	10	32,5	7	15
94060	1	M5	5,2	45	12	55,0	8	25
94086	2	M6	6,2	65	14	73,5	10	40
94102	3	M8	8,2	70	20	82,0	13	80



## No. 6877

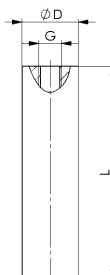
### Adapter for grid hole table

Aluminium.  
Adapter for fastening the auto-adjust toggle clamps on perforated tables.  
Fastening the adapter onto the toggle clamps by a screw and hole at the foot of the toggle clamp.

**NEW!**



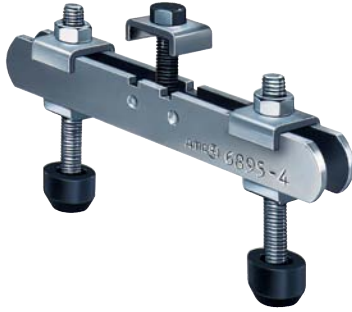
Order no.	Size	dia. D	L	G	Weight [g]
558988	1	19	76,0	M8	60
558989	2	19	190,5	M8	150
558990	3	20	76,0	M8	70
558991	4	20	190,5	M8	170



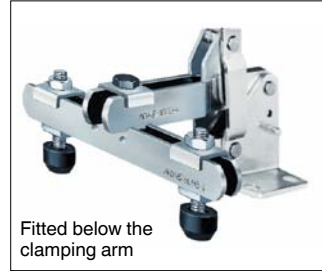
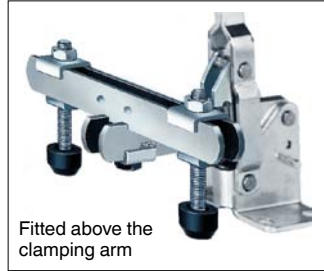
## No. 6895

### Supporting arm for toggle clamps

Galvanized and passivated, complete with two tempered clamping screws no. 6890 and fastening screw.



Order no.	Size	Screw DIN 933	Distance between screws	Length	Weight
				[mm]	[g]
99507	0	M 4x25	18- 60	70	40
99515	1	M 5x30	22- 72	85	65
99523	2	M 6x35	28- 85	100	90
99531	3	M 8x45	34-100	120	200
99549	4	M 8x65	40-125	150	370
99572	5	M 8x65	40-125	150	370
99564	6	M12x80	54-200	240	985



#### Application possibilities, in relation to toggle clamp size:

Item no. of toggle clamp	Size of supporting arm						
	0	1	2	3	4	5	6
6800	0	1	2	3	4	-	5+6
6800S/6802S	-	-	2	3	4	-	-
6802	-	1	2	3	4	-	-
6803	-	1	2	3	4	-	-
6803S	-	-	1	3	4	-	-
6820K	0	1	2	3	-	-	-
6830/6832	0	1	2	3	4	5	-
6830S/6832S	-	-	-	3	4	-	-
6833	-	1	2	3	4	-	-

CAD



## No. 6820SIS

### Proximity switch



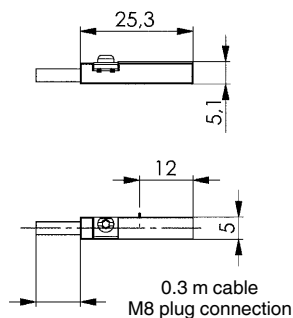
Order no.	Cable length	Weight
	[m]	[g]
392241	0,3	15

#### Application:

Proximity switch for end-position sensing.

#### Note:

PUR cable 0.3 m with M8 plug connection and rotating knurled nuts.  
Switching function: NOC.  
Output: PNP.



Subject to technical alterations.

## No. 6848GH

### Counter catch

for no. 6848H.  
Galvanized and passivated.

Order no.	Size	F	dia. G	H	H1	K	L	N	Weight [g]
94821	2	11	5,2	12	18	8	26	18	16
94839	3	14	6,5	19	28	12	39	23	44
94847	4	19	8,5	26	38	17	56	30	108



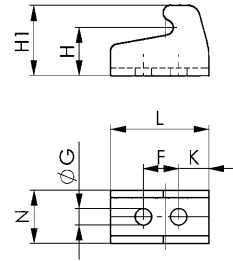
## No. 6848GHNI

### Counter catch

for no. 6848HNI.  
Polished stainless steel.



Order no.	Size	F	dia. G	H	H1	K	L	N	Weight [g]
95638	2	11	5,2	12	18	8	26	18	16
95646	3	14	6,5	19	28	12	39	23	44
95653	4	19	8,5	26	38	17	56	30	108



## No. 6848GV

### Counter catch

for no. 6848V.  
Galvanized and passivated.

Order no.	Size	F	dia. G	H	H1	K	L	N	Weight [g]
94854	2	11	5,2	5	12	5	26	18	14
94862	3	14	6,5	6	16	7	36	23	30
94870	4	19	8,5	8	22	9	48	30	66



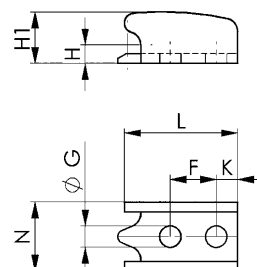
## No. 6848GVNI

### Counter catch

for no. 6848VNI.  
Polished stainless steel.



Order no.	Size	F	dia. G	H	H1	K	L	N	Weight [g]
95661	2	11	5,2	5	12	5	26	18	14
95679	3	14	6,5	6	16	7	36	23	30
95687	4	19	8,5	8	22	9	48	30	66



Subject to technical alterations.

**... BY ITEM NO.**

Article no.	Page	Article no.	Page	Article no.	Page	Article no.	Page	Article no.	Page
No. 6800	12	No. 6804Y	18	No. 6830Y	30	No. 6840T	47	No. 6848HS	80
No. 6800B	108	No. 6805	22	No. 68300	32	No. 6840Y	46	No. 6848HSE	80
No. 6800BS	115	No. 6805E	22	No. 68300E	32	No. 6841	44	No. 6848HSG	81
No. 6800E	12	No. 6805G	23	No. 68300G	33	No. 6841B	114	No. 6848HSJ	80
No. 6800G	13	No. 6805J	22	No. 68300J	32	No. 6841E	44	No. 6848HSNI	98
No. 6800J	12	No. 6805T	23	No. 68300NI	88	No. 6841G	45	No. 6848HSNIE	98
No. 6800NI	82	No. 6805Y	22	No. 68300NIE	88	No. 6841J	44	No. 6848HSNIG	99
No. 6800NIE	83	No. 6806	20	No. 68300NIG	89	No. 6841NI	90	No. 6848HSNIJ	98
No. 6800NIG	83	No. 6806E	20	No. 68300NIJ	88	No. 6841NIE	90	No. 6848HSNIT	99
No. 6800NIJ	82	No. 6806G	21	No. 68300NIT	89	No. 6841NIG	91	No. 6848HSNIY	98
No. 6800NIT	83	No. 6806J	20	No. 68300NIY	88	No. 6841NIJ	90	No. 6848HST	81
No. 6800NIY	82	No. 6806T	21	No. 68300T	33	No. 6841NIT	91	No. 6848HSY	80
No. 6800S	64	No. 6806Y	20	No. 68300Y	32	No. 6841NIY	90	No. 6848HT	59
No. 6800SE	65	No. 6809G	29	No. 68301	148	No. 6841T	45	No. 6848HY	58
No. 6800SG	65	No. 6809H	28	No. 68301NI	148	No. 6841Y	44	No. 6848V	60
No. 6800SJ	64	No. 6809P	26	No. 6832	34	No. 6842	52	No. 6848VE	60
No. 6800ST	65	No. 6809RK	28	No. 6832B	111	No. 6842E	52	No. 6848VG	61
No. 6800SY	64	No. 6809RL	28	No. 6832BS	117	No. 6842G	53	No. 6848VJ	60
No. 6800T	13	No. 6809S	29	No. 6832E	34	No. 6842J	52	No. 6848VNI	100
No. 6800Y	12	No. 6809V	29	No. 6832G	35	No. 6842PK	54	No. 6848VNIE	100
No. 6802	14	No. 6810P	27	No. 6832J	34	No. 6842PL	55	No. 6848VNIG	101
No. 6802B	109	No. 6811P	24	No. 6832S	74	No. 6842T	53	No. 6848VNIJ	100
No. 6802BS	116	No. 6812P	25	No. 6832SE	74	No. 6842Y	52	No. 6848VNIT	101
No. 6802E	14	No. 6820A	124	No. 6832SG	75	No. 6843	50	No. 6848VNIY	100
No. 6802G	15	No. 6820P	123	No. 6832SJ	74	No. 6843NI	93	No. 6848VT	61
No. 6802J	14	No. 6820SIS	154	No. 6832ST	75	No. 6844	48	No. 6848VY	60
No. 6802S	66	No. 6821A	125	No. 6832SY	74	No. 6844E	48	No. 6849PH	62
No. 6802SE	66	No. 6825A	126	No. 6832T	35	No. 6844G	49	No. 6850A	121
No. 6802SG	67	No. 6825CE	127	No. 6832Y	34	No. 6844J	48	No. 6860	42
No. 6802SJ	66	No. 6826A	128	No. 6833	36	No. 6844NI	92	No. 6860E	43
No. 6802ST	67	No. 6828H	131	No. 6833E	36	No. 6844NIE	92	No. 6860G	43
No. 6802SY	66	No. 6828M	130	No. 6833G	37	No. 6844NIG	93	No. 6860J	42
No. 6802T	15	No. 6828SP	135, 137	No. 6833J	36	No. 6844NIJ	92	No. 6860P	122
No. 6802Y	14	No. 6828V	134, 136	No. 6833T	37	No. 6844NIT	93	No. 6860T	43
No. 6803	16	No. 6829AD	143	No. 6833Y	36	No. 6844NIY	92	No. 6860Y	42
No. 6803E	16	No. 6829BR/BL	140	No. 6834	38	No. 6844T	49	No. 6870	104
No. 6803G	17	No. 6829ER/EL	142	No. 6834E	38	No. 6844Y	48	No. 6871	105
No. 6803J	16	No. 6829GF	144	No. 6834G	39	No. 6845	50	No. 6872	105
No. 6803NI	84	No. 6829KR/KL	139	No. 6834J	38	No. 6845B	114	No. 6873	106
No. 6803NIE	84	No. 6829N	144	No. 6834S	76	No. 6847	56	No. 6874	106
No. 6803NIG	85	No. 6829SP	143	No. 6834SE	76	No. 6847G	56	No. 6875	149
No. 6803NIJ	84	No. 6829V	129	No. 6834SG	77	No. 6847GK	57	No. 6876	149
No. 6803NIT	85	No. 6829W	145	No. 6834SJ	76	No. 6847GKNI	95	No. 6877	153
No. 6803NIY	84	No. 6829WS	146	No. 6834ST	77	No. 6847GNI	94	No. 6880	149
No. 6803S	68	No. 6829WSP	146	No. 6834SY	76	No. 6847K	57	No. 6880B	150
No. 6803SE	68	No. 6830	30	No. 6834T	39	No. 6847KNI	95	No. 6880NI	150
No. 6803SG	69	No. 6830B	110	No. 6834Y	38	No. 6847NI	94	No. 6885	150
No. 6803SJ	68	No. 6830E	30	No. 6835BS-2	118	No. 6847S	79	No. 6886	151
No. 6803ST	69	No. 6830G	31	No. 6835BS-3	119	No. 6847SU	79	No. 6887	152
No. 6803SY	68	No. 6830J	30	No. 6835B-2	112	No. 6848GH	155	No. 6887B	152
No. 6803T	17	No. 6830NI	86	No. 6835B-3	113	No. 6848GHNI	155	No. 6889	148
No. 6803Y	16	No. 6830NIE	86	No. 6837H	40	No. 6848GV	155	No. 6890B	149
No. 6804	18	No. 6830NIG	87	No. 6837HE	41	No. 6848GVNI	155	No. 6890NI	148
No. 6804E	18	No. 6830NIJ	86	No. 6837HG	41	No. 6848H	58	No. 6891	151
No. 6804G	19	No. 6830NIT	87	No. 6837HJ	41	No. 6848HE	58	No. 6892	152
No. 6804J	18	No. 6830NIY	86	No. 6837HT	41	No. 6848HG	59	No. 6893	152
No. 6804S	70	No. 6830S	72	No. 6837HY	40	No. 6848HJ	58	No. 6894	151
No. 6804SE	70	No. 6830SE	72	No. 6837M	40	No. 6848HNI	96	No. 6895	154
No. 6804SG	71	No. 6830SG	73	No. 6840	46	No. 6848HNIE	96	No. 6896	153
No. 6804SJ	70	No. 6830SJ	72	No. 6840E	46	No. 6848HNIG	97	No. 6897K	147
No. 6804ST	71	No. 6830ST	73	No. 6840G	47	No. 6848HNIJ	96	No. 6897S	146
No. 6804SY	70	No. 6830SY	72	No. 6840J	46	No. 6848HNIT	97	No. 6898V	147
No. 6804T	19	No. 6830T	31	No. 6840S	78	No. 6848HNIY	96	No. 6899	153

**... BY ORDER NO.**

Order no.	Page	Order no.	Page	Order no.	Page	Order no.	Page	Order no.	Page
392241	154	557039	30	557203	68	557344	34	557449	98
456400	111	557040	30	557204	68	557345	34	557450	100
482471	111	557041	30	557205	70	557346	38	557451	100
482497	111	557042	30	557206	72	557347	38	557452	100
492058	150	557043	30	557207	72	557348	38	557453	90
551715	32	557046	32	557209	74	557349	38	557454	92
551716	32	557047	32	557210	74	557350	36	557455	92
551717	32	557048	32	557211	76	557351	36	557456	92
551718	148	557062	152	557212	80	557352	36	557465	13
551719	148	557074	152	557213	82	557353	36	557466	13
551720	148	557075	152	557214	82	557357	41	557467	13
552552	32	557076	152	557215	82	557358	41	557468	13
552698	148	557077	152	557216	82	557359	41	557469	13
554878	104	557079	149	557217	82	557360	42	557470	13
554879	104	557080	149	557273	84	557361	42	557471	13
554880	104	557081	149	557274	86	557362	42	557472	15
554881	105	557086	149	557275	86	557373	44	557473	15
554882	105	557087	149	557276	86	557374	44	557474	15
554883	105	557094	153	557277	86	557375	44	557475	15
554884	105	557095	153	557278	86	557376	44	557476	15
554885	106	557096	153	557279	88	557377	44	557477	15
554886	106	557097	34	557280	88	557378	44	557479	17
554887	106	557098	34	557281	96	557389	46	557480	17
554888	106	557099	34	557282	96	557390	46	557481	17
555061	124	557100	34	557283	96	557391	46	557482	17
555062	124	557101	34	557284	98	557392	46	557483	19
555063	124	557102	34	557285	100	557393	46	557484	19
555064	124	557106	38	557286	100	557394	46	557485	19
555065	125	557108	38	557287	100	557397	48	557486	19
555066	125	557109	38	557288	90	557398	48	557487	21
555067	125	557110	38	557289	92	557399	48	557488	21
555083	131	557118	36	557290	92	557400	48	557489	21
555084	131	557119	36	557291	92	557403	52	557490	21
555085	131	557120	36	557301	12	557404	52	557491	23
555170	131	557121	36	557302	12	557405	58	557492	31
555171	131	557125	40	557303	12	557406	58	557493	31
555172	131	557126	40	557304	12	557407	58	557494	31
555175	88	557127	40	557305	12	557408	60	557495	31
555176	88	557143	42	557306	12	557409	60	557496	31
555177	148	557144	42	557307	12	557411	60	557497	31
555178	148	557145	42	557310	14	557417	64	557498	33
555182	147	557147	44	557311	14	557418	64	557499	33
555183	147	557148	44	557312	14	557419	64	557500	33
555184	147	557149	44	557313	14	557420	66	557501	35
555185	147	557150	44	557314	14	557421	66	557502	35
557009	12	557151	44	557315	14	557422	66	557503	35
557010	12	557152	44	557318	16	557423	68	557504	35
557011	12	557161	46	557319	16	557424	68	557505	35
557012	12	557162	46	557320	16	557425	68	557506	35
557013	12	557163	46	557321	16	557426	70	557507	39
557014	12	557164	46	557322	18	557427	72	557508	39
557015	12	557165	46	557323	18	557428	72	557509	39
557018	14	557166	46	557324	18	557429	74	557510	39
557019	14	557167	48	557325	18	557430	74	557511	37
557020	14	557168	48	557326	20	557431	76	557512	37
557021	14	557169	48	557327	20	557432	80	557513	37
557022	14	557170	48	557328	20	557433	82	557514	37
557023	14	557171	52	557329	20	557434	82	557525	41
557024	16	557172	52	557330	22	557435	82	557526	41
557025	16	557173	58	557331	30	557436	82	557527	41
557026	16	557174	58	557332	30	557437	82	557528	43
557027	16	557175	58	557333	30	557438	84	557529	43
557028	18	557176	60	557334	30	557439	86	557530	43
557029	18	557177	60	557335	30	557440	86	557531	45
557030	18	557178	60	557336	30	557441	86	557532	45
557031	18	557179	64	557337	32	557442	86	557533	45
557032	20	557180	64	557338	32	557443	86	557534	45
557033	20	557181	64	557339	32	557444	88	557535	45
557034	20	557182	66	557340	34	557445	88	557536	45
557035	20	557183	66	557341	34	557446	96	557537	47
557037	22	557184	66	557342	34	557447	96	557538	47
557038	30	557202	68	557343	34	557448	96	557539	47

Order no.	Page	Order no.	Page	Order no.	Page	Order no.	Page	Order no.	Page
557540	47	557637	18	557751	76	558019	39	558187	93
557541	47	557638	18	557752	80	558020	39	558188	93
557542	47	557650	20	557753	83	558021	37	558985	88
557548	49	557651	20	557754	83	558022	37	558988	153
557549	49	557652	20	557755	83	558023	37	558989	153
557550	49	557653	20	557756	83	558024	37	558990	153
557551	49	557654	22	557757	83	558025	41	558991	153
557561	53	557655	30	557759	84	558026	41	558996	148
557562	53	557656	30	557760	86	558027	41	<b>559769</b>	126
557563	59	557657	30	557761	86	558028	43	559770	126
557564	59	557658	30	557762	86	558029	43	559771	126
557565	59	557659	30	557763	86	558030	43	559772	128
557566	61	557660	30	557764	86	558031	45	559773	128
557567	61	557668	32	557765	88	558032	45	559774	128
557568	61	557669	32	557766	88	558033	45	559791	123
557569	65	557670	32	557767	96	558034	45	559792	123
557570	65	557671	34	557768	96	558035	45	559793	123
557571	65	557672	34	557769	96	558036	45	559794	123
557572	67	557673	34	557770	98	558037	47	<b>560007</b>	121
557573	67	557674	34	557771	100	558038	47	560008	121
557574	67	557675	34	557772	100	558039	47	560009	121
557575	69	557676	34	557773	100	558040	47	560010	139
557576	69	557678	38	557774	90	558041	47	560011	139
557577	69	557679	38	557775	92	558042	47	560012	139
557578	71	557680	38	557776	92	558046	49	560013	88
557579	73	557681	38	557777	92	558047	49	560014	148
557580	73	557682	36	557930	32	558048	49	560018	139
557581	75	557683	36	557935	32	558049	49	560019	139
557582	75	557684	36	557936	33	558054	53	560020	139
557583	77	557685	36	557937	32	558055	53	560027	142
557584	81	557686	41	557963	13	558056	59	560028	142
557586	83	557687	41	557964	13	558057	59	560029	142
557587	83	557688	41	557965	13	558058	59	560062	142
557588	83	557689	43	557966	13	558126	61	560063	142
557589	83	557690	43	557967	13	558127	61	560064	142
557590	83	557691	43	557968	13	558128	61	560065	144
557595	85	557692	44	557969	13	558129	65	560066	144
557596	87	557693	44	557970	15	558130	65	560067	144
557597	87	557694	44	557971	15	558131	65	560083	144
557598	87	557695	44	557972	15	558136	67	560084	144
557599	87	557696	44	557973	15	558137	67	560085	144
557600	87	557697	44	557974	15	558138	67	560157	88
557601	89	557699	46	557975	15	558149	69	560158	88
557602	89	557700	46	557977	17	558150	69	560159	88
557603	97	557701	46	557978	17	558151	69	560160	88
557604	97	557702	46	557979	17	558155	71	560161	89
557605	97	557703	46	557980	17	558156	73	560162	89
557606	99	557704	46	557981	19	558157	73	560163	88
557607	101	557710	48	557982	19	558158	75	560164	88
557608	101	557711	48	557983	19	558159	75	560165	89
557609	101	557712	48	557984	19	558160	77	560166	89
557610	91	557713	48	557985	21	558161	81	<b>90001</b>	12
557611	93	557714	52	557986	21	558164	83	90019	12
557612	93	557715	52	557987	21	558165	83	90027	12
557613	93	557718	58	557988	21	558166	83	90035	12
557615	12	557719	58	557989	23	558167	83	90043	12
557616	12	557720	58	557991	31	558168	83	90050	12
557617	12	557721	60	557992	31	558169	85	90068	12
557618	12	557722	60	557993	31	558170	87	<b>90134</b>	64
557619	12	557723	60	557994	31	558171	87	90142	64
557620	12	557724	65	557995	31	558172	87	90159	64
557621	12	557725	65	557996	31	558173	87	90167	108
557622	14	557726	65	557997	33	558174	87	90175	108
557623	14	557735	66	557998	33	558175	89	90183	108
557624	14	557736	66	557999	33	558176	89	90191	108
557625	14	557737	66	<b>558000</b>	33	558178	97	<b>90209</b>	66
557626	14	557738	68	558010	35	558179	97	90217	14
557627	14	557739	68	558011	35	558180	97	90225	14
557630	16	557740	68	558012	35	558181	99	90233	14
557631	16	557746	70	558013	35	558182	101	90241	14
557632	16	557747	72	558014	35	558183	101	90258	14
557633	16	557748	72	558015	35	558184	101	90266	14
557635	18	557749	74	558017	39	558185	91	90274	66
557636	18	557750	74	558018	39	558186	93	90282	66

Order no.	Page	Order no.	Page	Order no.	Page	Order no.	Page	Order no.	Page
90290	111	91173	29	92486	143	93633	129	95091	93
<b>90308</b>	111	<b>91280</b>	114	92494	143	93641	129	<b>95133</b>	84
90316	16	<b>91314</b>	24	<b>92502</b>	143	93658	98	95141	86
90324	16	91330	25	92544	54	93666	79	95158	93
90332	16	91348	115	92569	54	93674	143	95166	86
90340	16	91355	28	92585	54	93682	143	95174	93
90357	68	91363	28	<b>92601</b>	54	93690	143	95182	86
90365	68	91371	28	92619	78	<b>93708</b>	143	95190	93
90373	68	91389	28	92627	55	93716	143	<b>95208</b>	86
90381	111	<b>91397</b>	140	92635	149	<b>93831</b>	42	95224	86
90399	70	<b>91405</b>	140	92643	55	93849	62	95265	90
<b>90407</b>	70	91413	140	92650	72	93856	62	95299	90
90415	109	91421	140	92668	55	93864	42	<b>95349</b>	92
90423	110	91439	140	92676	48	93880	42	95364	92
90431	18	91447	140	92684	55	<b>93906</b>	46	95380	92
90449	18	91454	140	92692	80	93914	46	<b>95406</b>	94
90456	18	91462	140	<b>92809</b>	142	93922	46	95422	94
90464	18	91470	79	92817	142	93930	46	95448	94
90472	109	91488	122	92825	142	93948	40	95455	95
90480	110	91496	140	92833	142	93955	46	95463	94
90498	109	<b>91504</b>	140	92841	142	<b>94003</b>	50	95489	94
<b>90506</b>	110	91512	140	92858	142	94011	50	<b>95505</b>	94
90514	22	91520	140	92866	142	94029	50	95521	96
90522	110	91538	140	92874	142	94037	50	95547	96
90530	111	91546	140	92882	142	94045	153	95562	96
90548	114	91553	140	92890	142	94052	50	95588	100
90555	20	91561	140	<b>92916</b>	149	94060	153	95596	95
90563	20	91579	145	92924	144	94086	153	<b>95604</b>	100
90571	20	91595	145	92932	144	94094	44	95620	100
90589	20	<b>91603</b>	146	92940	144	<b>94102</b>	153	95638	155
90597	146	91611	145	92957	144	94110	44	95646	155
<b>90613</b>	147	91629	146	92973	144	94128	44	95653	155
90639	147	91637	145	<b>93005</b>	30	94136	44	95661	155
90662	119	91645	146	93013	30	94144	40	95679	155
90670	112	91652	145	93021	30	94151	44	95687	155
90696	113	91660	146	93039	30	<b>94201</b>	40	<b>96008</b>	150
<b>90712</b>	118	91678	146	93047	30	94235	52	96016	150
90738	26	91686	146	93054	30	94243	50	96024	150
90746	26	91694	146	93062	144	94250	52	96032	150
90753	26	<b>91702</b>	146	93070	144	94268	40	96040	148
90761	26	91751	146	93088	144	94276	52	96057	148
90779	26	91793	146	93096	144	94284	40	96065	148
90787	122	<b>91835</b>	134	<b>93104</b>	144	94292	40	96073	148
<b>90803</b>	27	91843	130	93112	72	<b>94300</b>	48	96081	148
90811	27	91850	136	93179	36	94318	48	<b>98012</b>	149
90829	27	91868	130	93195	74	94334	48	98038	149
90837	27	91876	136	<b>93203</b>	34	94359	46	98046	149
90845	27	91884	130	93211	34	94367	44	98053	149
90878	24	91892	136	93229	34	94391	50	98061	149
90886	24	<b>91900</b>	135	93237	34	<b>94524</b>	56	<b>98475</b>	149
90894	24	91959	137	93245	34	94540	56	<b>98517</b>	150
<b>90902</b>	25	<b>92007</b>	135	93252	34	94565	56	98525	150
90910	25	92056	137	93260	74	<b>94623</b>	56	98533	150
90928	25	92072	137	<b>93328</b>	36	94649	56	98541	150
90944	29	92080	135	93336	36	94664	56	98558	150
90951	29	92098	137	<b>93427</b>	38	94672	57	98566	150
90969	29	<b>92106</b>	127	93435	38	94680	57	98582	150
90977	29	92114	137	93443	38	94698	58	<b>98616</b>	151
90985	29	92122	127	93450	38	<b>94706</b>	58	98632	151
90993	29	92130	137	93484	139	94714	58	98665	151
<b>91009</b>	29	92163	122	93492	139	94755	60	<b>99002</b>	148
91017	29	<b>92353</b>	137	<b>93500</b>	139	94763	60	99010	148
91025	29	92361	145	93518	139	94771	60	99028	148
91033	28	92379	137	93526	139	<b>94821</b>	155	99036	148
91041	28	92387	145	93534	76	94839	155	99044	148
91058	28	92395	137	93542	36	94847	155	99051	148
91066	28	<b>92403</b>	143	93559	139	94854	155	99069	148
91074	28	92411	143	93567	139	94862	155	99077	148
91082	28	92429	143	93575	139	94870	155	99085	148
91090	28	92437	143	93583	139	<b>95000</b>	82	<b>99119</b>	151
<b>91108</b>	28	92445	145	93591	139	95026	82	99127	151
91116	29	92452	143	<b>93609</b>	129	95042	82	99135	151
91124	29	92460	145	93617	129	95067	82	99143	151
91132	29	92478	145	93625	129	95083	82	99168	151

Order no.	Page	Order no.	Page	Order no.	Page	Order no.	Page	Order no.	Page
99259	152	99366	152	99457	151	99549	154	99630	149
99267	152	99374	152	99465	151	99556	151	99648	117
99275	152	99382	152	99473	151	99564	154	99655	149
99283	152	99390	151	99481	151	99572	154	99663	114
99309	152	99408	151	99499	151	99580	151	99671	149
99325	152	99416	151	99507	154	99598	151	99689	116
99333	152	99424	151	99515	154	99606	151	99705	150
99341	152	99432	151	99523	154	99614	149		
99358	152	99440	151	99531	154	99622	150		

**... IN ALPHABETICAL ORDER**

Description	Page
<b>A</b>	
Adapter	143
Adapter for grid hole table	153
Angle base, solid	50, 93
<b>B</b>	
Base plate	29
Black handle, removable	41
Blue handle, removable	41
<b>C</b>	
Clamp arm	135, 137, 146
Clamping arm	143
Clamping arm extension	29, 153
Clamping screw	148, 149, 150, 151
Clamping screw, black	149, 150
Clamping screw holder	29
Combi-clamp, pneumatic	122
Combination clamp with black handle	43
Combination clamp with blue handle	43
Combination clamp with green handle	43
Combination clamp with orange handle	42
Combination clamp with red handle	42
Combination clamp with yellow handle	42
Counter catch	56, 57, 94, 95, 155
<b>G</b>	
Green handle, removable	41
Grooved nut (DIN 70852)	144
<b>H</b>	
Hand grip	28
Heavy hook type toggle clamp	62
Heavy pneumatic toggle clamp	126, 127, 128, 134, 136
Heavy push-pull type toggle clamp	54, 55
Heavy vertical toggle clamp	24, 25
Heavy-duty push-pull type toggle clamp with black handle	53
Heavy-duty push-pull type toggle clamp with blue handle	52
Heavy-duty push-pull type toggle clamp with green handle	53
Heavy-duty push-pull type toggle clamp with orange handle	52
Heavy-duty push-pull type toggle clamp with red handle	52
Heavy-duty push-pull type toggle clamp with yellow handle	52
Hook type toggle clamp	56, 57, 94, 95
Hook type toggle clamp with safety latch	79
Horizontal acting toggle clamp	40
Horizontal hook-type toggle clamp with black handle	59, 97
Horizontal hook-type toggle clamp with black handle and safety latch	81, 99
Horizontal hook-type toggle clamp with blue handle	58, 96
Horizontal hook-type toggle clamp with blue handle and safety latch	80, 98
Horizontal hook-type toggle clamp with green handle	59, 97
Horizontal hook-type toggle clamp with green handle and safety latch	81, 99
Horizontal hook-type toggle clamp with orange handle	58, 96
Horizontal hook-type toggle clamp with orange handle and safety latch	80, 98
Horizontal hook-type toggle clamp with red handle	58, 96
Horizontal hook-type toggle clamp with red handle and safety latch	80, 98
Horizontal hook-type toggle clamp with yellow handle	58, 96
Horizontal hook-type toggle clamp with yellow handle and safety latch	80, 98
Horizontal toggle clamp, black	110, 111, 112, 113
Horizontal toggle clamp plus with black handle	33, 89

Description	Page
Horizontal toggle clamp plus with blue handle	32, 88
Horizontal toggle clamp plus with green handle	33, 89
Horizontal toggle clamp plus with orange handle	32, 88
Horizontal toggle clamp plus with red handle	32, 88
Horizontal toggle clamp plus with yellow handle	32, 88
Horizontal toggle clamp with auto-adjust clamping height	104, 105
Horizontal toggle clamp with black handle	31, 35, 37, 39, 87
Horizontal toggle clamp with black handle and safety latch	73, 75, 77
Horizontal toggle clamp with blue handle	30, 34, 36, 38, 86
Horizontal toggle clamp with blue handle and safety latch	72, 74, 76
Horizontal toggle clamp with green handle	31, 35, 37, 39, 87
Horizontal toggle clamp with green handle and safety latch	73, 75, 77
Horizontal toggle clamp with orange handle	30, 34, 36, 38, 86
Horizontal toggle clamp with orange handle and safety latch	72, 74, 76
Horizontal toggle clamp with red handle	30, 34, 36, 38, 86
Horizontal toggle clamp with red handle and safety latch	72, 74, 76
Horizontal toggle clamp with safety latch, black	117, 118, 119
Horizontal toggle clamp with yellow handle	30, 34, 36, 38, 86
Horizontal toggle clamp with yellow handle and safety latch	72, 74, 76
<b>L</b>	
Lever arm tube, long	28
Lever arm tube, short	28
Link Clamp, pneumatic, flange-mounting version	129
<b>M</b>	
Modular clamp	26, 27
<b>O</b>	
Orange handle, removable	41
<b>P</b>	
Plug connection for sensor monitor	147
Pneumatic clamp	124, 125
Pneumatic clamp with lever	131
Pneumatic toggle clamp	123, 130
Proximity switch	154
Push type pneumatic toggle clamp	121
Push-pull type toggle clamp	50
Push-pull type toggle clamp, black	114
Push-pull type toggle clamp with auto-adjust clamping width	106
Push-pull type toggle clamp with black handle	45, 47, 49, 91, 93
Push-pull type toggle clamp with blue handle	44, 46, 48, 90, 92
Push-pull type toggle clamp with green handle	45, 47, 49, 91, 93
Push-pull type toggle clamp with orange handle	44, 46, 48, 90, 92
Push-pull type toggle clamp with red handle	44, 46, 48, 90, 92
Push-pull type toggle clamp with safety latch	78
Push-pull type toggle clamp with yellow handle	44, 46, 48, 90, 92
<b>R</b>	
Red handle, removable	40
Rotatable base unit	147
Rubber nose	152
<b>S</b>	
Self-aligning clamping screw	151
Sensor monitor	146
Spring loaded screw	152
Supporting arm for toggle clamps	154
Swing clamp, pneumatic, block version	140
Swing clamp, pneumatic, flange-mounting version	139
Swing clamp, pneumatic, screw-in version	142
Swing Clamp with welding protection, pneumatic	145
<b>T</b>	
Threaded flange	144





# WE GENERATE EXCITEMENT - ON YOUR MOBILE DEVICE TOO

The "Clamping technology APP" offers you an overview of AMF's exciting clamping product range. No matter whether mechanical, pneumatic, hydraulic or magnetic clamping technology, as well as vacuum and zero point clamping systems – all the products are presented in detail in this APP, and you can see the numerous application options of AMF clamping technology at a glance.

All products can be downloaded as 2D and 3D CAD models, and be conveniently imported into all standard CAD programs.

Also stay up-to-date and read our news and PDF catalogues on your mobile device.

Test it now by downloading our clamping technology APP free-of-charge from the Apple App Store or Google Play.



**THE CLAMPING TECHNOLOGY APP -  
FIND PRODUCTS, DOWNLOAD  
CAD DATA, STAY INFORMED...**



These Terms of Payment apply for companies, legal entities governed by public law and public law special funds. Our goods and services are supplied exclusively on the basis of the following conditions. Any deviating purchasing conditions of the customer not expressly recognised by us will not become part of the contract through acceptance of the order. By placing the order and accepting the goods we deliver, the customer confirms its consent to our terms and conditions.

## 1. Offer and contractual conclusion

All our offers are always subject to change without notice unless otherwise explicitly agreed. Our delivery contracts are based on the latest version of our catalogue. Dimension and weight values, as well as illustrations, drawings and data, are non-binding and can be changed by us at any time. Therefore, deviations cannot be ruled out and do not justify any compensation claims against us.

Orders are considered accepted only when confirmed by us in writing. If, for organisational reasons, the customer does not receive a separate confirmation upon the delivery of goods, the invoice shall also be deemed the order confirmation.

## 2. Prices

The prices are in EURO, ex-works, excluding VAT, packing, freight, postage and insurance. Unless otherwise agreed, our list prices valid on the day of delivery shall apply. For orders below 50 EUR goods net, we must make a minimum quantity surcharge of a 10 EURO for cost reasons.

## 3. Tool costs

Unless any other agreements have been reached, the tools fabricated for the purpose of executing the order shall remain our property in all cases, even if we have invoiced a tool cost component separately.

## 4. Payment

Unless otherwise stated on the invoice, the purchase price falls due for net payment within 30 days of the invoice date (without deduction of discount). Invoice amounts of below 50 EURO are due for payment immediately.

In case of payment default, we shall be entitled to charge default interest. The amount corresponds to our interest rate for current account credits at our main bank; the minimum however being 8 percentage points above the relevant base interest rate applied by the European Central Bank. Moreover, in case of default following written notice to the customer, we shall be entitled to cease to fulfil our obligations until payments are received.

## 5. No set-off

The customer can set-off only with legally confirmed or undisputed counterclaims.

## 6. Right of withdrawal in case of delayed acceptance or payment and insolvency

If the customer fails to accept the goods in due time, we shall be entitled to set a reasonable period of grace, after which we can dispose of the goods elsewhere and supply the customer on a reasonably longer term. Our rights to withdraw from the contract under the provisions of Section 326 BGB and demand damages for non-performance shall not be affected. If the customer fails to pay for the goods once payment is due, we shall be entitled, at the end of a reasonable period of grace we have set, to withdraw from the contract and demand the return of any goods already supplied. Section 323 BGB remains unaffected in all other cases.

If the customer applies for the opening of insolvency proceedings, we shall be entitled, prior to the ordering of security measures by the insolvency court, to withdraw from the contract and demand the immediate return of the goods.

## 7. Customer-specific fabrications/project fabrications (custom fabrications)

Customer-specific fabrications require binding information on design, quantity etc. in written form at the time of ordering. For manufacturing reasons, we reserve the right to supply up to 10% above or below the order quantity. Technical modifications or cancellations are subject to any costs incurred. The return of customer-specific fabrications is impossible.

## 8. Delivery and packaging, transfer of risk

The delivery date is non-binding; although stated to the best of our knowledge. It is subject to us receiving correct, defect-free and complete deliveries. The stated delivery dates relate to completion in the factory, starting on the day the order is accepted by us. Delivery is EXW (ex-works) in accordance with Incoterms 2010. Therefore, the costs are borne by the customer. The risk is transferred to the customer when the goods are passed to the person, company or facility nominated to execute the shipment. This applies also for partial deliveries, or if we have assumed responsibility for delivery and installation. The risk shall be transferred to the customer even in the case of delayed acceptance.

In the absence of specific shipping instructions, we shall proceed as we deem fit and without any obligation to the cheapest or most expedient method. The customer agrees that the order can also be delivered in parts, insofar as this is reasonable for the customer. We shall charge a 5 EURO processing free for shipping to third parties that we supply on behalf of the customer.

The packaging complies with the packaging ordinance. Disposable packaging shall be charged at cost price. The packaging cannot be taken back.

## 9. Performance impediment and/or impossibility

If we are hindered in the fulfilment of our obligation due to the onset of unforeseeable circumstances, which we are unable to avoid despite reasonable effort in relation to the nature of the circumstances (e.g. operational interruption, delay in the delivery of important raw materials, defects in the delivery), the delivery time shall be extended by a reasonable period, insofar as the supply of goods or services is not rendered unreasonably difficult or impossible.

If we have to accept that these circumstances are not only temporary, we shall be entitled to withdraw from the contract either in whole or in part.

If the supply of goods or services becomes impossible, the customer shall not be obliged to furnish its own contractual service. Section 275 BGB applies mutatis mutandis. If, however, the customer is solely or predominantly responsible for the

circumstances that led to impossibility, it shall remain under an obligation to render the return service. The same applies if this circumstance occurs at a time when the customer is behind schedule with acceptance.

## 10. Samples/returns

Samples shall be provided only against payment. If samples or models are provided, a credit note shall be issued with the subsequent order if the order value is 125 EURO net or more. Goods can be returned only by agreement, although custom fabrications are excluded from such return.

In the case of returns for which we are not responsible (e.g. incorrect order), we shall charge a processing fee of 10%, the minimum value, however, being 7.50 EURO.

## 11. Retention of title

The goods shall remain our property unless full payment of all claims and/or until the cheques provided for this purpose are honoured. The itemisation of claims in an ongoing invoice, as well as balancing the account and the recognition thereof does not affect the retention of title. The customer is entitled to sell on the retained goods during the ordinary course of business. However, the customer is not permitted to pledge the goods or transfer them by way of security. It shall assign its claim ensuing from the selling on of the retained goods to us in advance. The customer shall be entitled to collect the claim to the extent that it has fulfilled its obligations towards us. At our request, the customer shall be obliged to state third-party debtors and we shall be entitled to report this and the assignment.

## 12. Property rights

We reserve property rights and copyrights to all contractual documents such as drafts, drawings, calculations and cost estimates. Such documents must not be reproduced or disclosed to third parties without our consent. Any rights to patents, utility models etc. reside solely with us, insofar as such patents have not yet been filed. Our products are allowed to be replicated only with our written consent.

If objects are fabricated according to drawings or samples, the customer shall warrant that any third party property rights are not infringed by manufacture or delivery. If a third party forbids manufacture and delivery on account of property rights, we shall be entitled to stop manufacture and delivery immediately. The customer shall be obliged to reimburse us with all costs incurred and indemnify us from third party compensation claims. Compensation claims by the customer are impossible.

## 13. Warranty

If the customer agrees with us a particular quality of the goods, we shall base this agreement on our technical delivery specifications. If we have to deliver according to customer drawings, specifications, samples etc., the customer shall assume the risk for suitability for the intended purpose. If, after the contract is concluded, the scope of goods or services is changed at the customer's request and this impairs the quality or suitability of the goods, claims for defects on the part of the customer shall be ruled out, insofar as such impairments are caused by the customer's requests for change. The time at which the risk is transferred is decisive for the contractual state of the goods. Wear and tear of wearing parts caused by ordinary use does not constitute a defect. Claims for defects are ruled out in the following cases in particular: Unsuitable or improper use, incorrect installation and/or commissioning by the customer or third party, normal wear and tear, incorrect or negligent handling - in particular excessive use -, unsuitable equipment, replacement materials, chemical, electrochemical or electrical influences, unless such defects are caused by ourselves.

If the goods contain a defects, we shall provide, following a reasonable period of grace set by the customer, either a replacement or a repair as we deem fit. If such subsequent performance fails, the customer shall be entitled to either reduce the purchase price or withdraw from the contract. Any further warranty claims are ruled out. In case of negligible deviations from the agreed quality, no claims for defects shall be recognised.

The discovery of defects must be communicated to us immediately in writing. In the case of recognisable defects, however, within 10 days of acceptance, in the case of non-recognisable defects immediately after they become evident. The warranty is 12 months, starting with delivery of the goods ex-works.

## 14. Liability

With the exception of harm to life, body or health on account of a breach of duty by ourselves, our liability shall be limited to intent or gross negligence.

## 15. Place of fulfilment, place or jurisdiction and governing law

The place of fulfilment for all obligations ensuing from this contractual relationship is D-70734 Fellbach.

The place of jurisdiction for all legal disputes ensuing from the contractual relationship is the court responsible for the headquarters of Andreas Maier GmbH & Co. KG.

All disputes ensuing from the contract or regarding the validity thereof shall be finally decided by a court of arbitration in accordance with the Court of Arbitration Ordinance of the German Committee for Arbitration Court Procedures or the Conciliation and Arbitration Arrangement of the International Chamber of Commerce, recourse to ordinary courts of law being excluded. The legal dunning process, however, remains permissible.

German law shall govern (BGB and HGB). The applicability of the UN Convention on Contracts for the International Sale of Goods (CISG) is ruled out.

## 16. Severability clause

If individual provisions become legally invalid, the remaining provisions shall not be affected. The legally invalid provision shall be replaced by regulations that most closely reflect the economic purpose of the contract with reasonable consideration for the mutual interests. The publication of these Terms of Sale, Delivery and Payment renders all previous versions invalid. This does not apply for any contracts concluded prior to announcement.

# TOGGLE CLAMPS, MANUAL AND PNEUMATIC CATALOGUE 2019

Request additional catalogues from [www.amf.de](http://www.amf.de)



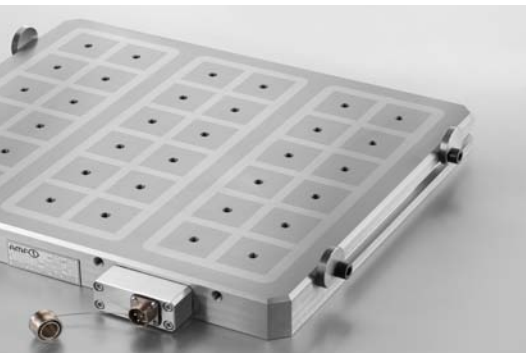
ZERO-POINT-SYSTEMS



HYDRAULIC CLAMPING SYSTEMS



VACUUM CLAMPING SYSTEMS



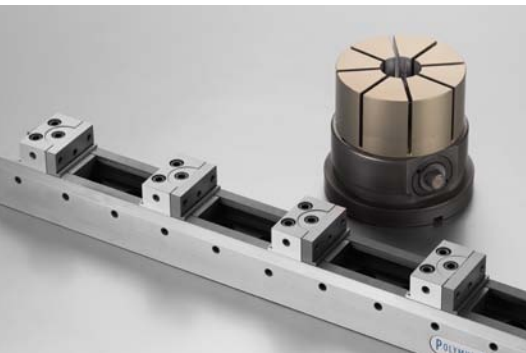
MAGNETIC CLAMPING SYSTEMS



WIRELESS SENSING SYSTEMS



TOGGLE CLAMPS



SINGLE AND MULTIPLE CLAMPING SYSTEMS



STANDARD CLAMPING SYSTEMS



MARKING AND CLEANING TOOLS



**ANDREAS MAIER GmbH & Co. KG**

Waiblinger Straße 116 · D-70734 Fellbach

Phone: +49 711 5766-0

Fax: +49 711 575725

E-mail: [amf@amf.de](mailto:amf@amf.de)

Web: [www.amf.de](http://www.amf.de)

**Order no. 462978 · € 3,60**